



**ISO 9001: 2000**  
Certified

888-367-4286  
281-367-4100  
fax 281-292-2860  
[www.detcon.com](http://www.detcon.com)  
[sales@detcon.com](mailto:sales@detcon.com)

# Standard 316SS Junction Box

## NEMA 7 J-Box with Solid or Glass Lens Cover

### Order Guide

3 1/2" 316SS J-Box w/ Glass Lens Cover	897-850901-316
3 1/2" 316SS J-Box w/ Solid Cover	897-850000-316

### Application

Detcon Standard 316SS junction boxes are available with a glass lens or solid cover and are installed in conduit systems within hazardous areas to:

- ▶ Provide protection against exterior explosion where hydrogen & other combustible gases are present
- ▶ Protect conductors in threaded rigid conduit
- ▶ Act as pull and splice boxes
- ▶ Interconnect lengths of conduit
- ▶ Change conduit direction
- ▶ Provide access to conductors for maintenance & future system changes

### Features

- ▶ Glass lens or solid cover
- ▶ Taper threaded hubs to provide ground continuity
- ▶ Threaded cover openings
- ▶ Surface covers furnished with boxes
- ▶ Neoprene o-ring gasket and ground screw are both standard
- ▶ Two standard mounting pads
- ▶ Cover threads are M100 x 2 - 66/6G
- ▶ Electropolished 316 Stainless Steel

### Classification

- ▶ Class I, Div I Groups B,C,D
- ▶ Class I, Zone 0 Group IIB + Hydrogen

### Approvals

- ▶ CSA approved to Canadian & UL Requirements
- ▶ ATEX Certified

### Ingress Protection

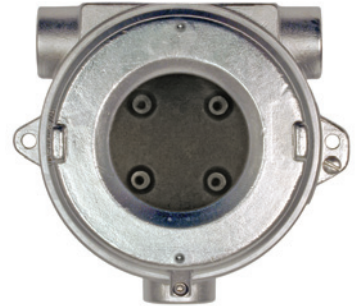
- ▶ N4X and N7

[www.detcon.com](http://www.detcon.com)

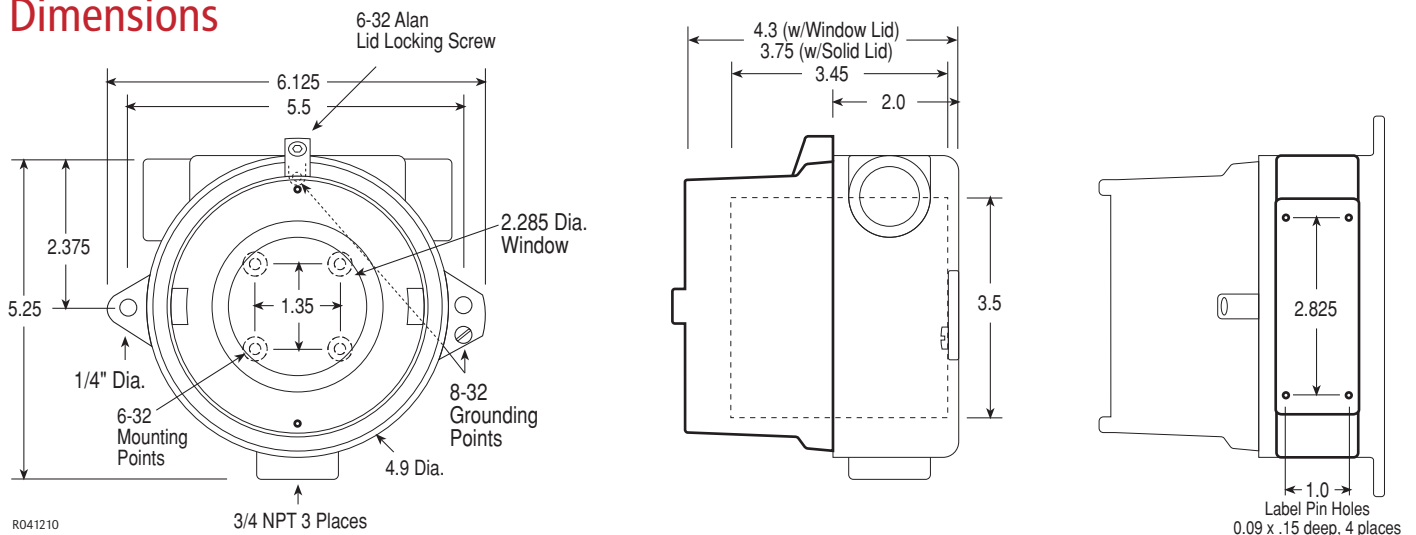
Solid Cover



Glass Lens Cover



### Dimensions



R041210