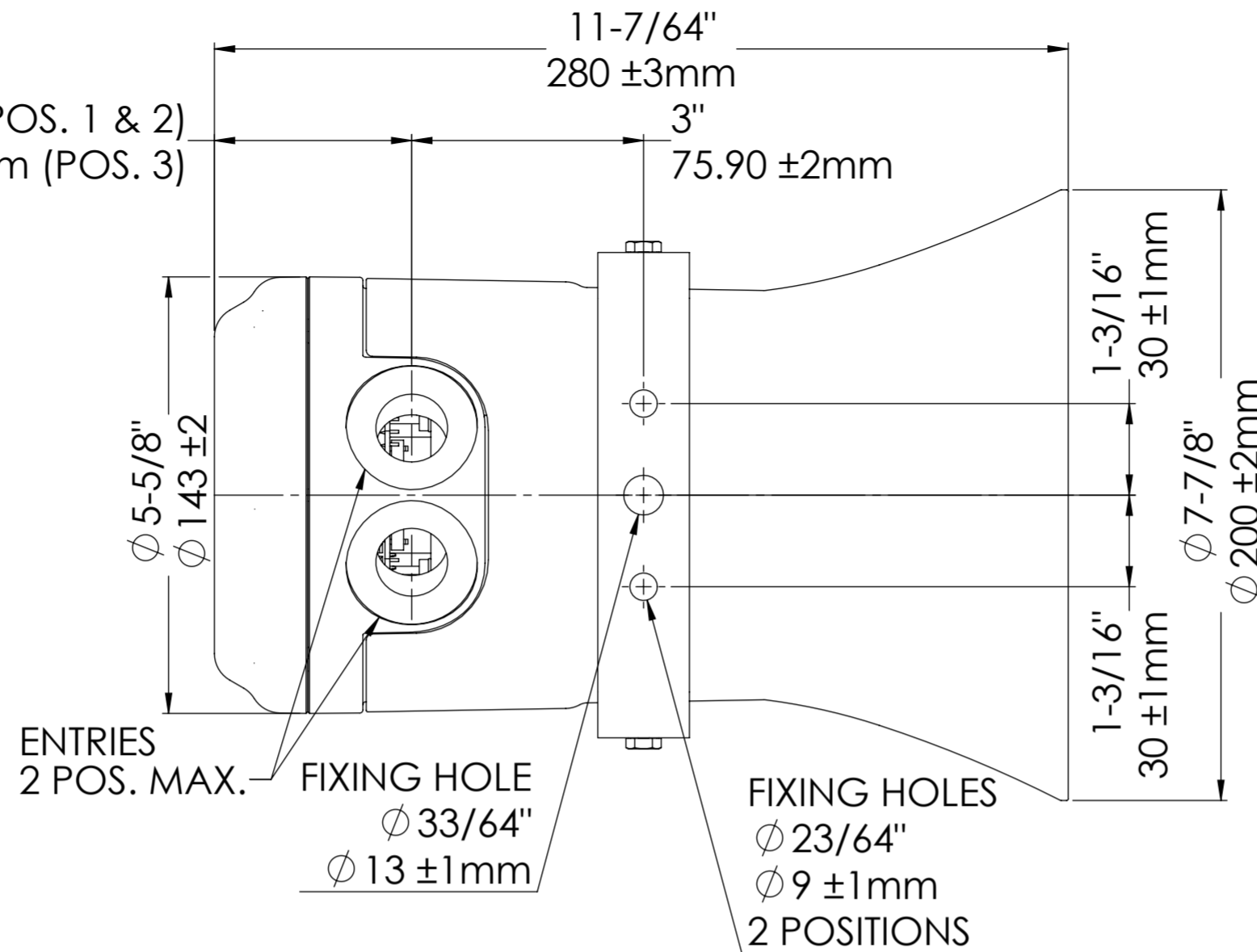
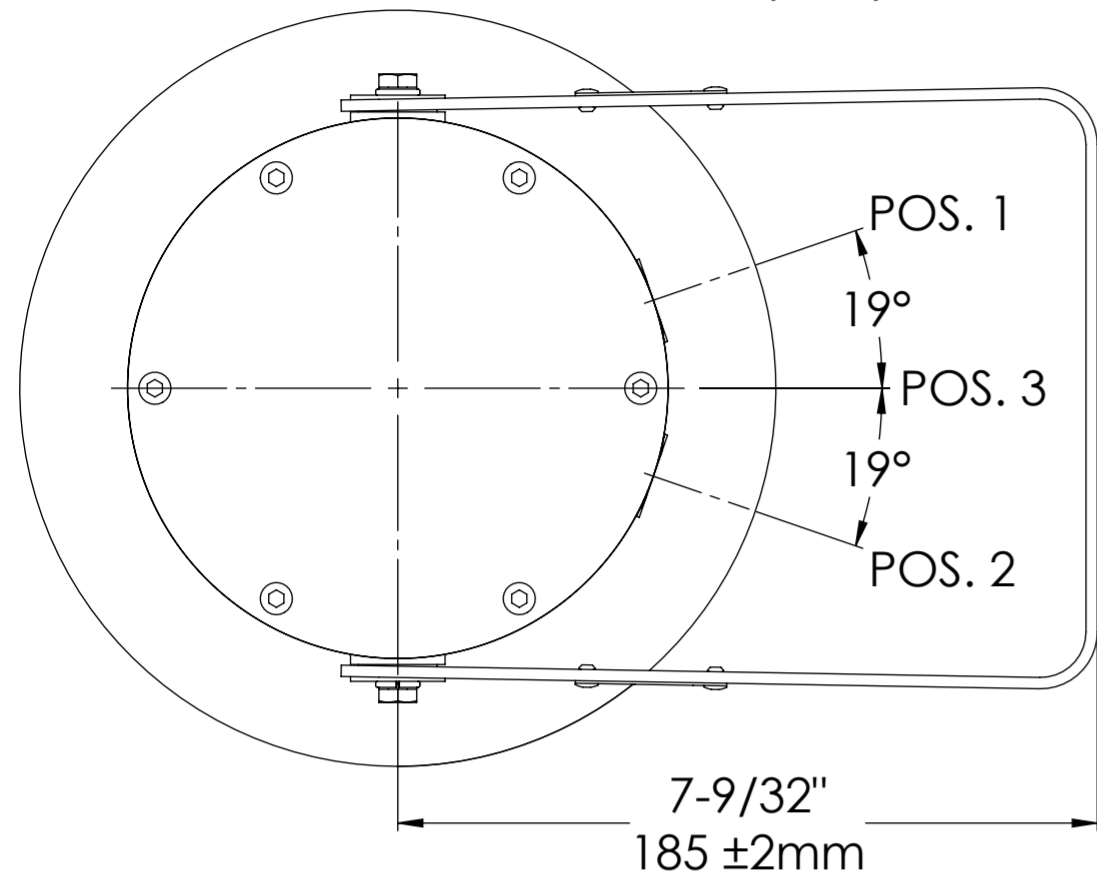


LONG FLARE VERSION WITH STANDARD BRACKET

2-17/32" / 64.5±1mm (POS. 1 & 2)
2-43/64" / 68.0±1mm (POS. 3)



NOTES:

- 1/ UNIT TYPE: DB4B LOUDSPEAKER
- 2/ CERTIFICATION: UL LISTING No. E203310
SUITABLE FOR USE IN:
Class I, Zone 1 Ex d IIC / AEx d IIC Gb
Zone 21 Ex tb IIIC

Class I, Div. 2 Groups A, B, C, D
Class II, Div. 2, Groups F & G
Class III, Div. 1

ORDINARY LOCATIONS UL LISTING No. S8847
- 3/ AMBIENT TEMPERATURE RANGE AND T-RATINGS - SEE TABLE
- 4/ WEIGHT: - 11lbs
- 5/ ENCLOSURE AND COVER MATERIAL: GLASS REINFORCED POLYESTER
- 6/ MAIN FLARE MATERIAL: FLAME RETARDANT THERMOPLASTIC POLYESTER
- 7/ STIRRUP AND COVER FIXINGS: STAINLESS STEEL GRADE 316
- 8/ OPTIONAL DUTY/TAG LABELS, LETTER SIZE 3/16" MAX.
- 9/ TERMINALS ARE SUITABLE FOR UP TO 14AWG MAX.
- 10/ CABLE ENTRIES: UP TO 2xM20 OR 2x1/2" NPT IN POSITIONS SHOWN.

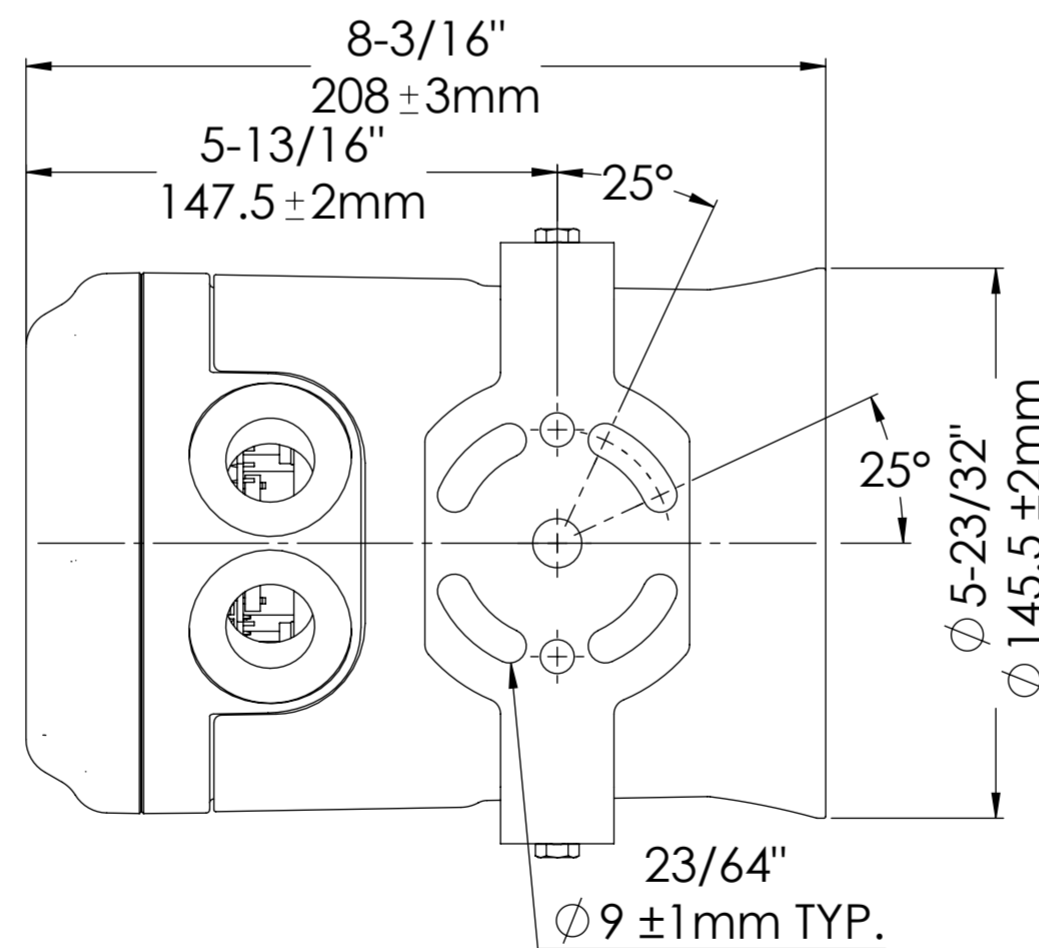
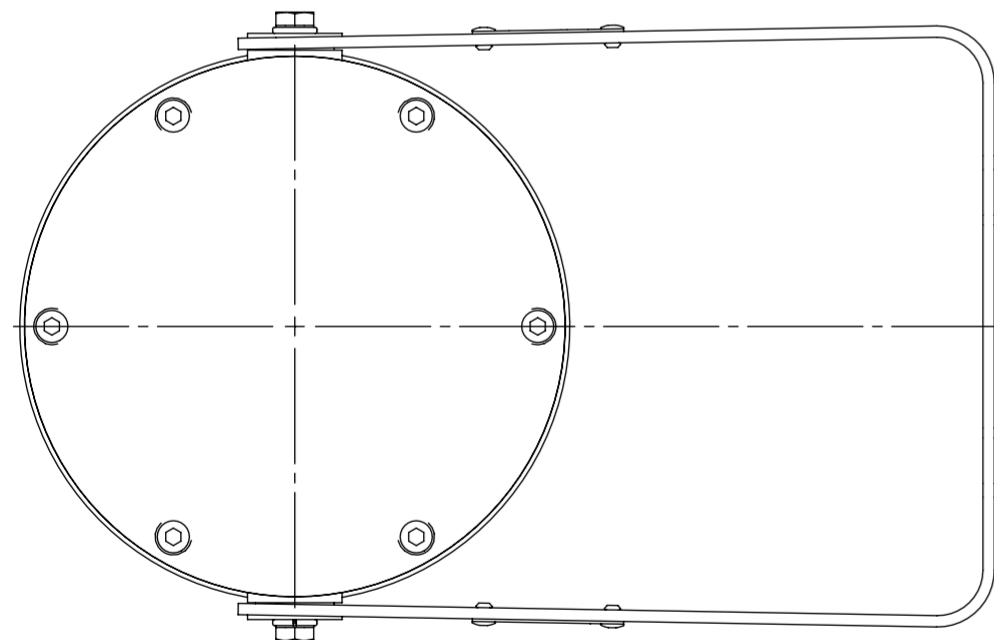
FOR UNITS WITH 2 ENTRIES, POSITIONS 1 AND 2 ARE USED. FOR UNITS WITH A SINGLE ENTRY, POSITION 3 IS USED.

BLANKING PLUGS ARE AVAILABLE.

11/ ALL DIMENSIONS ARE COMMON TO ALL UNIT VARIATIONS UNLESS OTHERWISE STATED.

12/ GENERAL TOLERANCE: 1/32" UOS

SHORT FLARE VERSION WITH OPTIONAL SWIVEL BRACKET



MAX. POWER	Tamb.	T-RATING
8W	-55°C to +70°C	T4 / T135°C
	-55°C to +55°C	T5 / T100°C
	-55°C to +40°C	T6 / T85°C
15W	-55°C to +65°C	T4 / T135°C
	-55°C to +55°C	T5 / T100°C
	-55°C to +40°C	T6 / T85°C
25W/8Ω	-55°C to +55°C	T4 / T135°C
	-55°C to +40°C	T5 / T100°C

MEDC MEDC Ltd, Colliery Road, Pinxton Nottingham, NG16 6JF, U.K. Tel: +44 (0)1773 864100 Fax: +44(0)1773 582800 e-mail: info@medc.com web:www.medc.com DESIGNERS & MANUFACTURERS OF ELECTRICAL & ELECTRONIC EQUIPMENT & SYSTEMS FOR HAZARDOUS AREAS

ISSUES

GENERAL TOLERANCES UOS
LINEAR: ±0.25
ANGULAR: ±0.5°
SURFACE FINISH: $\sqrt{32}$

ALL DIMENSIONS ARE IN MILLIMETRES UNLESS OTHERWISE STATED
REMOVE ALL BURRS AND SHARP CORNERS
MACHINE SYMBOLS THUS $\sqrt{}$

THIS DRAWING IS CONFIDENTIAL AND IS THE PROPERTY OF MEDC AND MUST NOT BE REPRODUCED EITHER WHOLLY OR PARTLY. ALL RIGHTS IN RESPECT OF PATENTS, DESIGNS AND COPYRIGHT ARE RESERVED

DRAWN BY: P.FISHWICK	DATE: 23/01/2015	TITLE: DB4B LOUDSPEAKER UL CUSTOMER GA	SHT 1 OF 1
CHECKED BY: D.COATES	DATE: 23/01/2015		
APPROVED BY: P.FISHWICK	DATE: 23/01/2015		
SCALE:1:2	A2	DWG NO. 399-144	REVISION A