



A-Series[®] II Panelboards

AD/AE/AQ Type P & N Panel THQB Three-Phase Circuit Breaker Kits

Introduction

These instructions describe the installation of THQB three-phase circuit breaker kit into an A-Series[®] II panelboard. These kits are for use in panelboards ordered with Un-Specified Space.

The catalog number for 6-pole THQB breaker kit is ASPP6QB6D

Parts List ASPP6QB6D Table 1

ITEM #	DESCRIPTION	PART #	QTY
1	A & C PHASE 200A STRAP	315A7049P10	2
2	STRAP, CENTER	315A7048P20	1
3	3X BRANCH BASE	911E347P3	1
4	THREAD ROLLING SCREW & WASHER	315A7034P6	3
5	FILLER PLATE, QB	139C5362P2	1
6	SCREWS , #10-32 X 3/8	N722P16006B6	4

Table 1. Parts list for THQB three-phase, twelve-pole breaker installation kit, and catalog number ASPP6QB6D.

Installation

WARNING: Before attempting to install one of these kits, remove all power from the panelboard.

Use the following procedure to install a THQB circuit breaker kit. Call-out numbers in the illustrations and numbers in brackets in the text refer to the Item Numbers in Table 1. Installation of a three-pole kit is illustrated in Figure 1.

1. Remove the interior assembly from its packaging and verify that all parts are present, as given in the packing list.
2. Remove the 8 screws (600A and 800A panels) securing the dead front to panelboard interior. Lift off the dead front and place it and the screws aside.
3. Remove the circuit breaker kit from its packaging and verify that all parts are present, as given in the packing list.
4. Refer fig no.1 to mount the breaker on interior. Place 3X base [3] adjacent to the crossbar [7], to locate the mounting hole for the B phase strap [2]. Remove 3X base [3] and screw the B phase strap [2] into place using screw [4]. Then mount the strap for A and C phase [1] into place using screws [4]. All phase straps

should be clamped with main bus using screws [4] with a maximum of 60 in-lb torque.

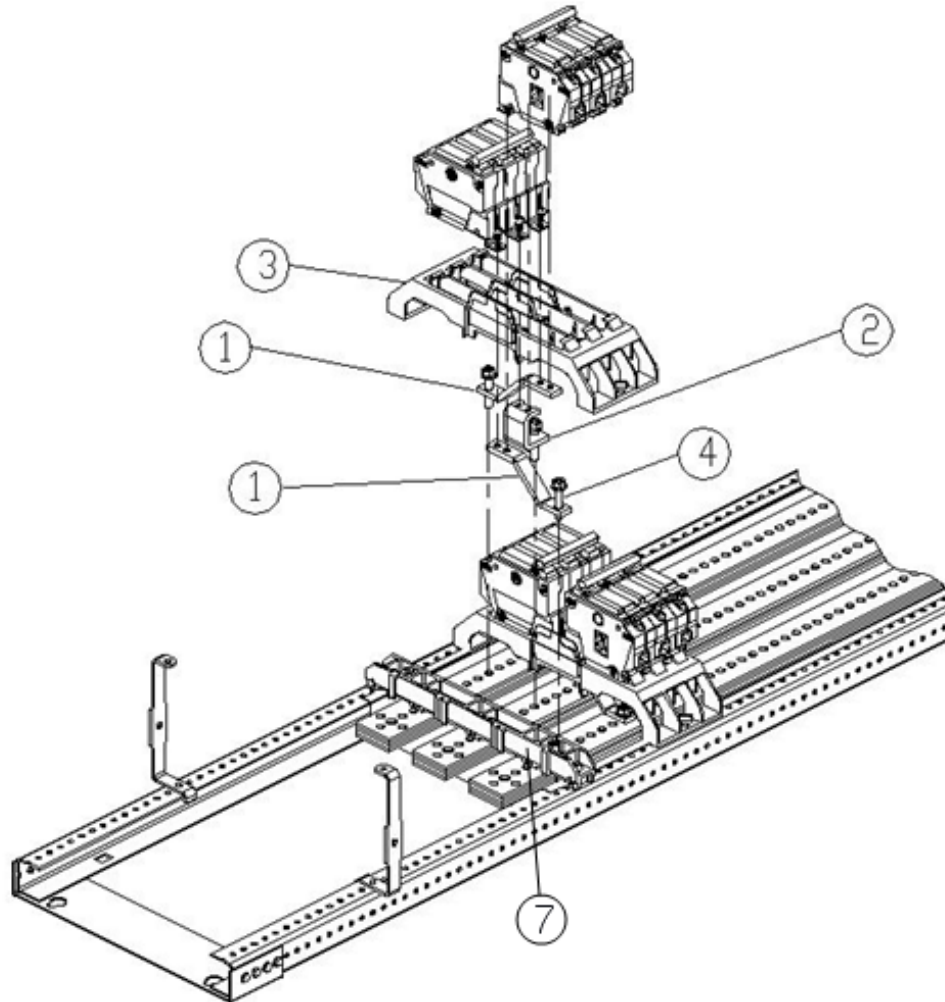


Figure 1. Installation of a THQB circuit breaker kit on interior, catalog number ASPP6QB6D, into an A-Series® II Panelboards.

5. Place the breaker as shown in fig.1 such that breaker strap hole aligns with breaker mounting strap tapped hole and other end of breaker snaps with 3X base lancing slot provided and then tighten terminal screws completely with 27-36 in-lb.
6. Remove the eight screws [6] of existing one filler plates from dead front where THQB breaker needs to be installed, as illustrated in Figure 2.

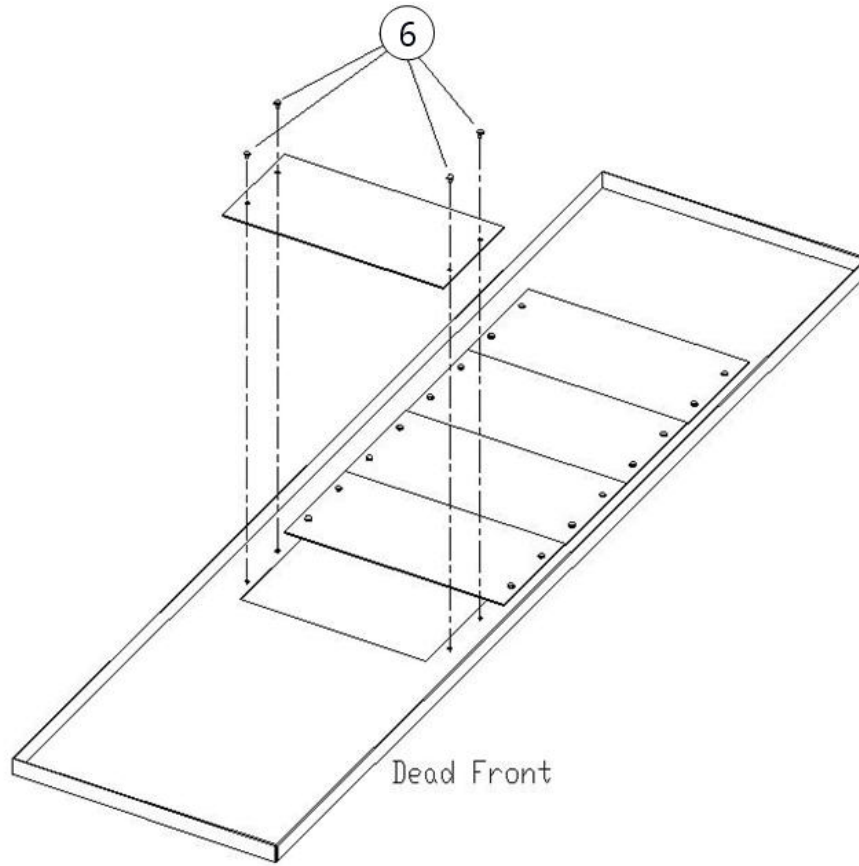


Figure 2. Removing the shield inserts from the shield for THQB breaker installation in A-Series® II Panelboards.

7. Place the filler plate [5] over the dead front so that the four same-size holes line up with the threaded holes of the dead front, as illustrated in Figure 3. Fasten filler plate to the dead front with four #10-32 x $\frac{3}{8}$ screws [6] tightened to 27-36 in-lb.
8. Reattach the dead front to the interior with the 8 screws removed in step 2. Tighten the screws to 27-36 in-lb.

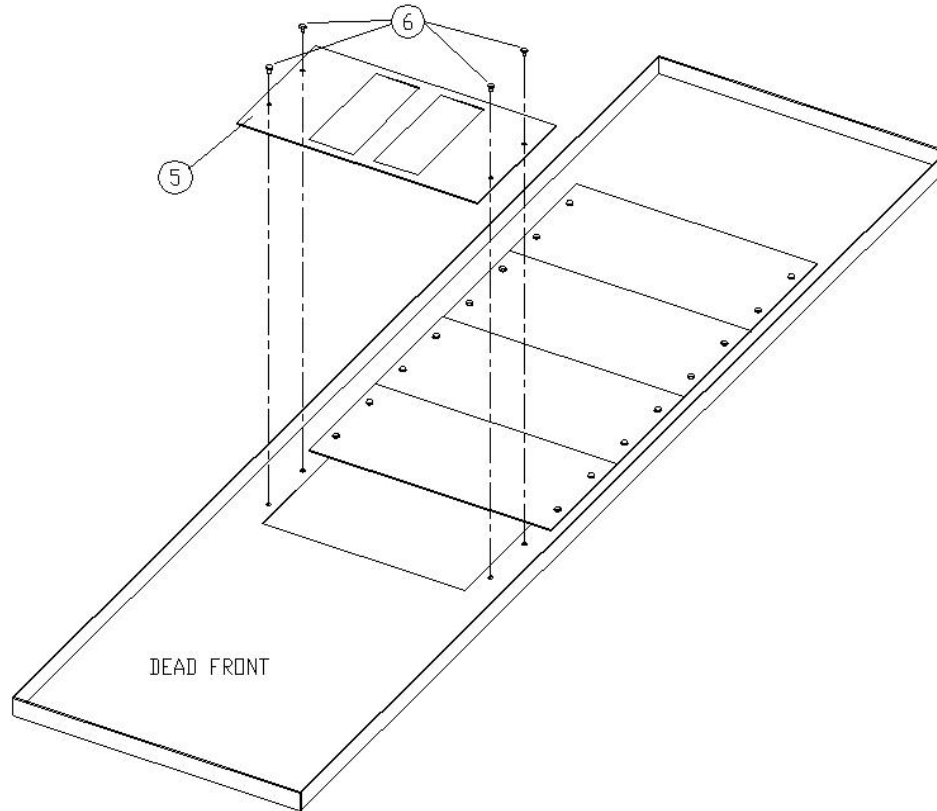


Figure 3. Attaching the shield insert to the shield for THQB breaker installation in A-Series® II Panelboards.

9. If THQB breaker has to be installed after SG or SF/TFJ or SE/TED/FB/TQD as shown in Figure 4 then gap between the breakers (dim A) has to be followed as mentioned in Table 2. Replace the subsequent blank filler of dead front with THQB filler plate given in kit using steps 9 to 11.
10. If THQB breaker has to be installed immediate after crossbar as shown in Figure 5 then gap between the breaker and crossbar has to be 0.06inch.

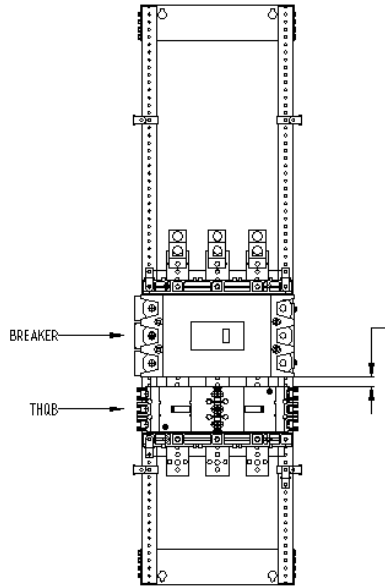


Figure 4. Distance between breakers

Breaker	A (in)
SG	0.582
SF/TFJ	1.875
SE/TED(6P)	1.875
FB/TQD(6P)	1.875

Table 2. Distance between breakers.

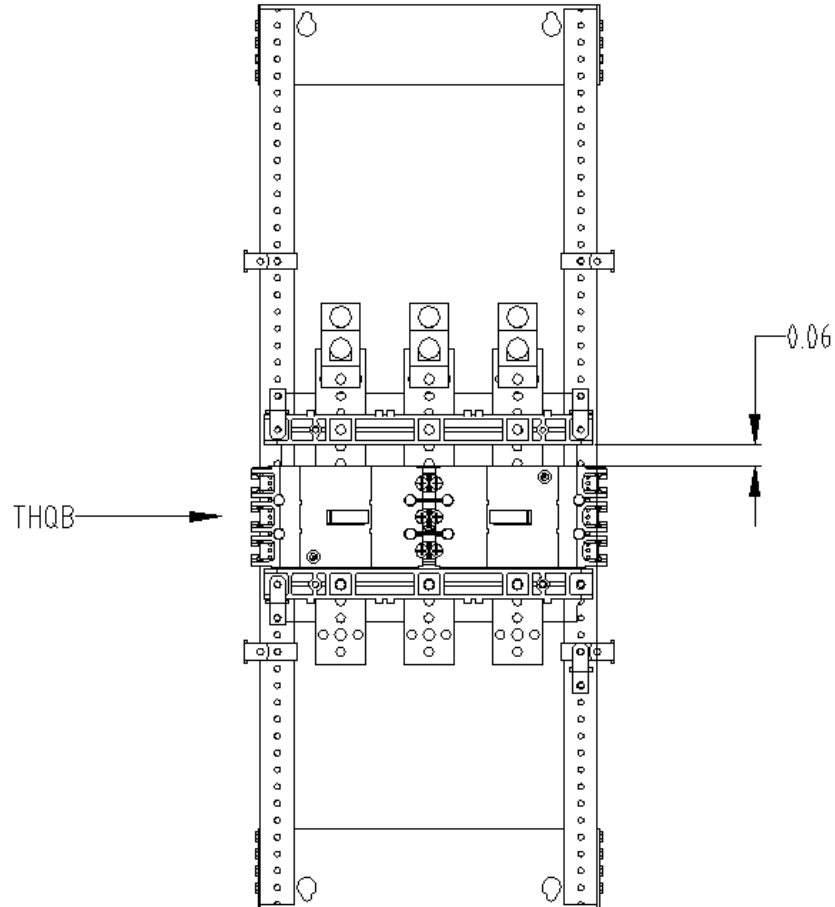


Figure 5. Distance between Crossbar and THQB breaker

These instructions do not cover all details or variations in equipment nor do they provide for every possible contingency that may be met in connection with installation, operation, or maintenance. Should further information be desired or should particular problems arise that are not covered sufficiently for the purchaser's purposes, the matter should be referred to the GE Company.



GE Industrial Systems