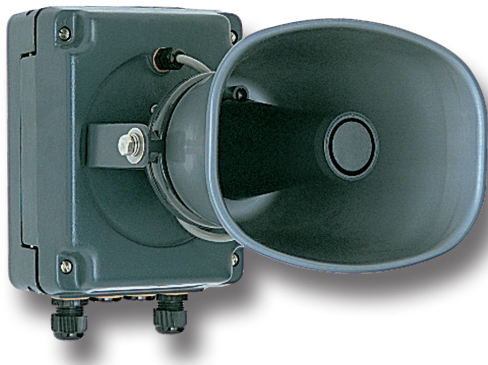


Varioton Sounder EV 11

High-volume signalling device for calling and warning purposes and for voice transmissions



Overview

The Varioton EV 11 is a, high-volume signalling device with good directivity. The choice of material and the design allow for outdoor applications even under difficult environmental conditions.

The user may choose between 7 different signal tones, a 3-tone chime and voice transmission.

The signal is set either directly on the device or externally via potential-free contacts. In the case of remote control the supply voltage is constantly applied to the device.

The distance between the selector switch and an EV 11 device depends on the cross-section and quality of the control cable (see specifications).

The device comprises a power supply unit, sound generator, an amplifier and sound transducer. The housing is made of seawater-resistant aluminium. The surface is painted with weatherproof varnish. All external screws as well as the loudspeaker bracket are made of stainless steel.

The signalling device is easy to install. It is connected by fully opening or removing the hinged cover. The pressure-chamber loudspeaker can be rotated and swiveled.

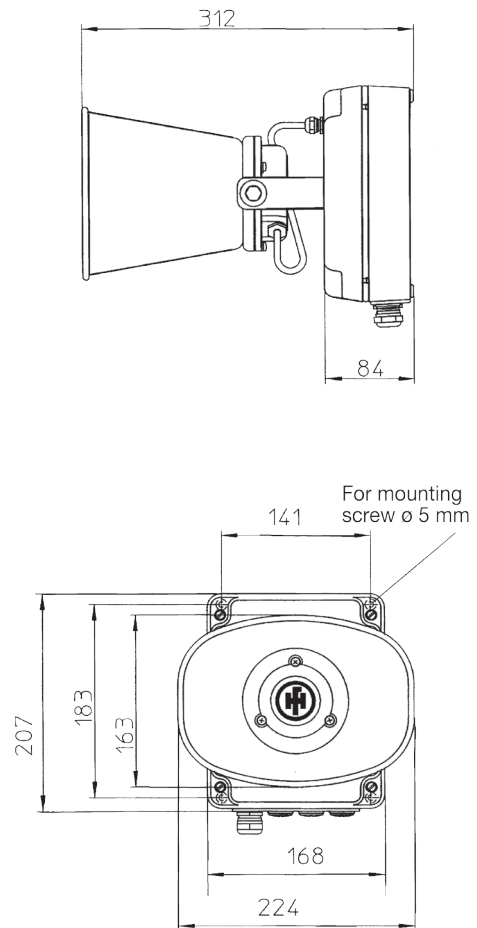
Features

- 7 signal tones
- 3-tone chime
- Voice transmission
- External selection of tones and voice transmission (remote control)
- Volume: up to 118 dB(A), adjustable
- Chime can be adjusted separately
- Housing made of aluminium
- Loudspeaker can be swiveled
- Easy installation

Specifications

Housing	seawater-resistant aluminium
Colour	Dark grey
Ingress protection	IP 55 according to IEC 60529
Protection class	I
Cable glands	2 x M20 und 2 x blind plug M20
Connection terminals	Terminal capacity: 2,5 mm ² single-wire, 1,5 mm ² fine-wire The double terminals allow for a loop-through to other devices.
Volume	Max. 118 dB(A), in 1 m distance
Loudspeaker	Dynamic pressure-chamber loudspeaker, weatherproof, aluminium, epoxy-coated, can be rotated and swiveled
Operating conditions	Indoors and outdoors
Control cables	Max. permissible loop resistance of the control cable: 500 Ω Permissible noise voltage: < 5 V
Operating position	Housing vertical, cable gland facing downwards
Operating mode	Continuous operation
Temperature range	
Operation	-25 °C to +50 °C
Storage	-30 °C to +70 °C
Weight	Approx. 4 kg

General arrangement drawing (all dimensions in mm)



Ordering data

Type	Designation	Input voltage	Tolerance	Current consumption	Fuse 20 x 50	Art. No.
EV 11	Varioton Sounder	230 VAC, 50-60 Hz	+6/-10 %	0.1 A	T 0.63/250 H	FHF 215 609 07
EV 11	Varioton Sounder	24 VAC/VDC	±15 %/19-32 V	0.9A/0.6 A	T 1.60/250 H	FHF 215 609 13