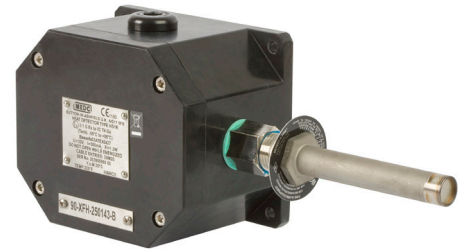


# HDI heat detector range

## Hazardous locations



## Overview

The MEDC heat detector has been designed for use in hazardous environments.

These units are suitable for fire alarm and/or suppression systems in offshore and onshore applications including paint spray booths, flammable material stores, turbine rooms, extract ductwork and other hazardous areas throughout the oil & gas, petrochemical and process industries.

Comprising a Fenwal rate-compensated detector with all-stainless steel external construction, mounted to a JB10 corrosion-free GRP enclosure. The contact in the detector closes at alarm temperature.

To select appropriate temperature setting see specification on reverse.

## Features

- UL Listed for USA and Canada:
  - Class I, Div. 2,
  - Groups A, B, C, D
- ATEX certified
- IP66 & IP67
- Certified temperature:
  - 4°F to +131°F
  - 20°C to +55°C
- Stainless steel probe
- Detector temperature settings 140°F to 725°F (60°C to 385°C)
- GRP enclosure
- Optional stainless steel guard



## Certifications

<b>UL</b>	Listing no. E252920 – versions up to 450°F. Listing no. E254077 – versions from 600°F to 725°F. UL for USA and Canada, listed to Class 1, Div 2. Groups A, B, C, D
<b>SIL</b>	SIL2 certified. Cert no. Sira FSP 12007/02

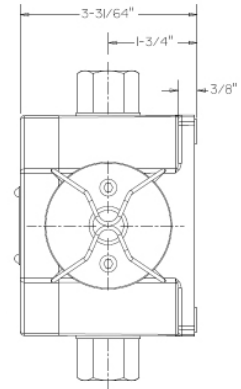
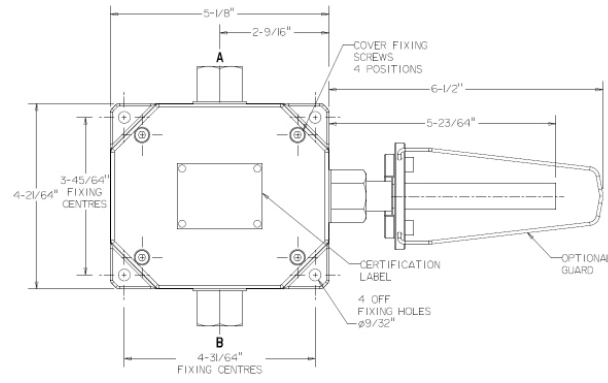
## Specifications

<b>Material</b>	Detector: stainless steel Enclosure: GRP (anti-static) Cover screws: stainless steel Optional guard: 316 stainless steel
<b>Finish</b>	Detector: sand blasted Enclosure: natural black or painted to customer's specification
<b>Weight</b>	2.4lbs (1.1kg)
<b>Certified temp</b>	-4°F to +131°F -20°C to +55°C
<b>Ingress protection</b>	NEMA 4X & 6, IP66 & IP67
<b>Operation</b>	The detector contact is normally open and closes at alarm temperature
<b>Contact rating</b>	125Vac - 5A, 125Vdc - 0.5A, 48Vdc - 1A, 24Vdc - 2A
<b>Entries</b>	2 x 1/2" NPT (via supplied adaptors)
<b>Terminals</b>	6 x 12 AWG
<b>Labels</b>	Optional stainless steel tag and duty labels

**Listed temperature:** To select appropriate temperature settings, choose detector at settings: 100°F (38°C) above maximum ambient temperature

Temperature setting		Tolerance		Color code of text on probe
(°F)	(°C)	(°F)	(°C)	
140	60	+7/-8	±4	Black
160	71	+7/-8	±4	Black
190	88	+7/-8	±4	White
210	99	+7/-8	±4	White
225	107	+7/-8	±4	White
275	135	±10	±6	Blue
325	163	±10	±6	Red
360	182	±10	±6	Red
450	232	±15	±8	Green
500	260	±15	±8	Orange
600	316	±20	±11	Orange
725	385	±25	±14	Orange

## General arrangement drawing (all dimensions in inches)



## Ordering requirements

The following code is designed to help in selection of the correct unit. Build up the reference number by inserting the code for each component into the appropriate box

### Model

HD1

### Certification

ULU

### Temp settings

Temp °F	Code
140	140
160	160
190	190
210	210
225	225
275	275
325	325
360	360
450	450
500	500
600	600
725	725

### Options

Option	Code
None	N
Duty label	D*
Tag label	T*
Guard	G
Blanking plug	P

\*Please specify

### Finish

Finish	Code
Natural black	N
Grey	G
Red	R
Blue	B
Yellow	Y
Special	S*

\*Please specify

To order ATEX approved version, see European data sheet