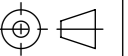
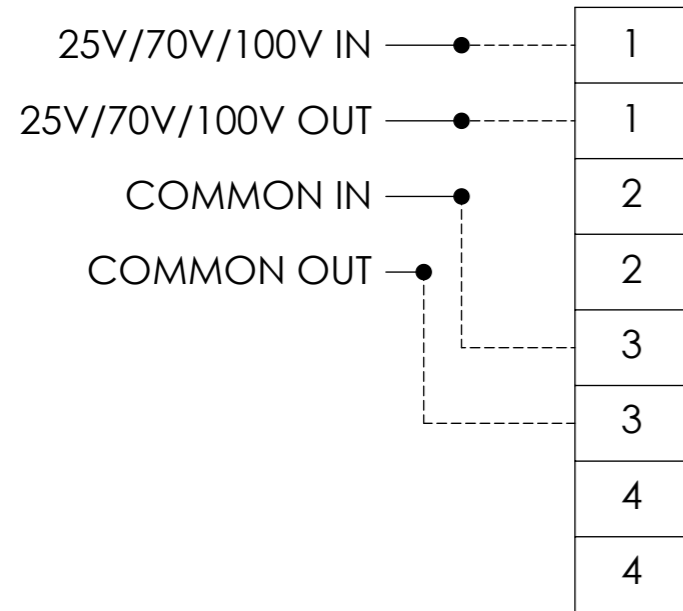


399-145

DO NOT SCALE

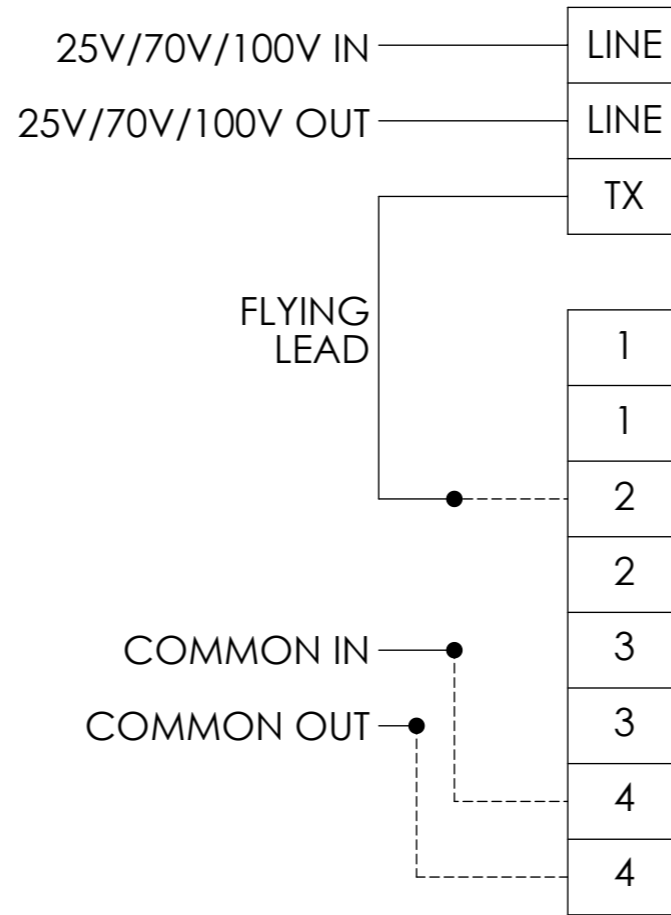


**DB4B STANDARD WIRING**



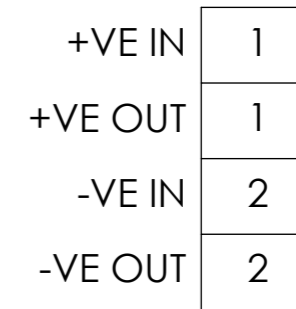
CONNECT POWER CONNECTIONS TO NUMBERED TERMINALS TO OBTAIN POWER TAPPING REQUIRED. CONNECT LOOP-IN, LOOP-OUT CONNECTIONS AS REQUIRED.

**DB4B WIRING WITH OPTIONAL CAPACITOR AND/OR PPTC**



CONNECT SUPPLY LINE CONNECTIONS TO TERMINALS MARKED 'LINE' ON PCB, LOOPING OUT AS REQUIRED. USE SUPPLIED FLYING LEAD, ALONG WITH COMMON POWER CONNECTIONS TO SELECT POWER TAPPING REQUIRED.

**DB4B 80hm DIRECT CONNECTION WIRING**



CONNECT POWER FROM AMPLIFIER TO TERMINALS, TAKING NOTE OF MAXIMUM UNIT RATINGS. CONNECT LOOP-IN, LOOP-OUT CONNECTIONS AS REQUIRED

GENERAL NOTES:  
THE UNIT REQUIRES THAT THE GLAND BODY PROVIDES UNIT EARTHING. THE STUD PROVIDED ON THE ESA IS FOR LOOP-IN LOOP-OUT PURPOSES ONLY

TRANSFORMER TAPPING	POWER		
	25W	15W	8W
1:2	25.0	15.0	8.0
2:3	12.5	7.5	4.0
3:4	6.0	5.0	2.0
1:3	4.0	4.0	1.5
2:4	2.0	2.0	0.7
1:4	1.0	0.8	0.4



COOPER MEDC Ltd. DESIGNERS & MANUFACTURERS  
UNIT B, SUTTON PARKWAY OF ELECTRICAL & ELECTRONIC  
ODDICROFT LANE EQUIPMENT & SYSTEMS  
SUTTON-IN-ASHFIELD, NG17 5FB. U.K. FOR HAZARDOUS  
Tel: +44 (0)1623 444400 AREAS  
Web: WWW.COOPERMEDC.COM

ISSUES

**CURRENT PRODUCTION COPY**

GENERAL TOLERANCES UOS  
LINEAR: ±0.25  
ANGULAR: ±0.5°  
SURFACE FINISH:  $\sqrt{3.2}$

ALL DIMENSIONS ARE IN MILLIMETRES UNLESS OTHERWISE STATED  
REMOVE ALL BURRS AND SHARP CORNERS  
MACHINE SYMBOLS THUS

THIS DRAWING IS CONFIDENTIAL AND IS THE PROPERTY OF MEDC AND MUST NOT BE REPRODUCED EITHER WHOLLY OR PARTLY. ALL RIGHTS IN RESPECT OF PATENTS, DESIGNS AND COPYRIGHT ARE RESERVED

DRAWN BY: P.FISHWICK	DATE: 23/01/2015	TITLE:  DB4B LOUDSPEAKER UL CUSTOMER WIRING DETAILS	SHT 1 OF 1
CHECKED BY: D.COATES	DATE: 23/01/2015		
APPROVED BY: P.FISHWICK	DATE: 23/01/2015		
SCALE:1:1	A3	DWG NO. 399-145	REVISION A