

Profiline



Xenon Strobe Light Profi Flash

Optical signalling device for inside and outside mounting

- ▶ Flash energy 5 Joule
- ▶ Continuous operation
- ▶ One version for wall mounting and standing inside and outside mounting
- ▶ Modular housing design
- ▶ Protection degree IP 54

Application

With its modular, stylish housing the Xenon Strobe Light Profi Flash can be mounted on the wall or standing.

The strobe light is available with 6 different caps and 2 different standard housing colours.

By design, the device conforms to protection degree IP 54 and is suited for inside and outside use.

Design

The modular housing design enables a variety of solutions with regard to design and function.

All housing parts are made of impact-resistant ABS, and the cap consists of polycarbonate.

The flash frequency amounts to approx. 60 flashes per minute (1 Hz).

In addition to the standard housing colours, optional colours may be available, depending on the number of devices ordered.

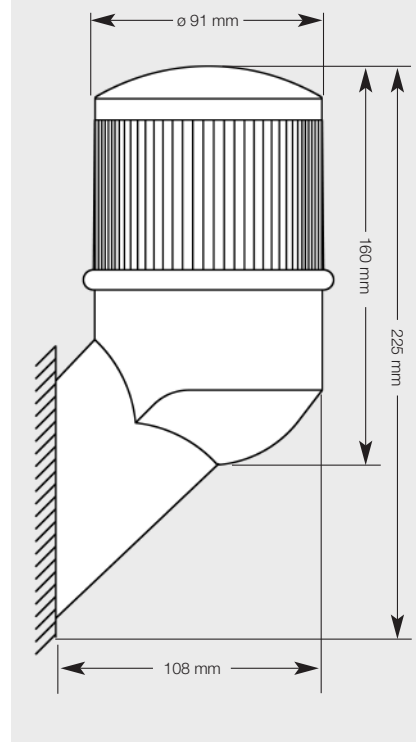
Alarm in modern Buildings

The strobe light is available with 6 different caps and 2 different standard housing colours.



Technical specifications

Housing	ABS
Colour	white or grey (other colours on request)
Cap	Polycarbonate
Signalling colours	yellow, amber, transparent, red, green, blue
Protection degree	IP 54
Protection class	II
Cable gland	Male thread bush M16 x 1.5 for cable diameters from 6 to 8 mm
Connecting terminals	Clamping capacity 1.5 mm ² fine-wired
Operating conditions	Inside or outside
Operating position	Any
Operating mode	Continuous operation
Flash energy	5 Joule
Temperature range	
Operating	-20 °C to +40 °C
Storage	-30 °C to +80 °C
Weight	Approx. 0.36 kg



Order information

* The full article number is made up by appending the colour code for the coloured cap to the article numbers given below.	transparent	1
	red	2
	yellow	3
	green	4
	blue	5
	amber	6

Type	Name	Rated voltage U _e	Tolerance U _e	Current consumption	Art. no.
Profi Flash	Xenon Strobe grey	230 VAC	+ - 10 %	0.2 A	415 201 11 .
Profi Flash	Xenon Strobe white	230 VAC	+ - 10 %	0.2 A	415 202 22 .
Profi Flash	Xenon Strobe grey	24 VDC	+ - 15 %	0.3 A	415 101 11 .
Profi Flash	Xenon Strobe white	24 VDC	+ - 15 %	0.3 A	415 102 22 .

Subject to change without notice · Printout 01/11