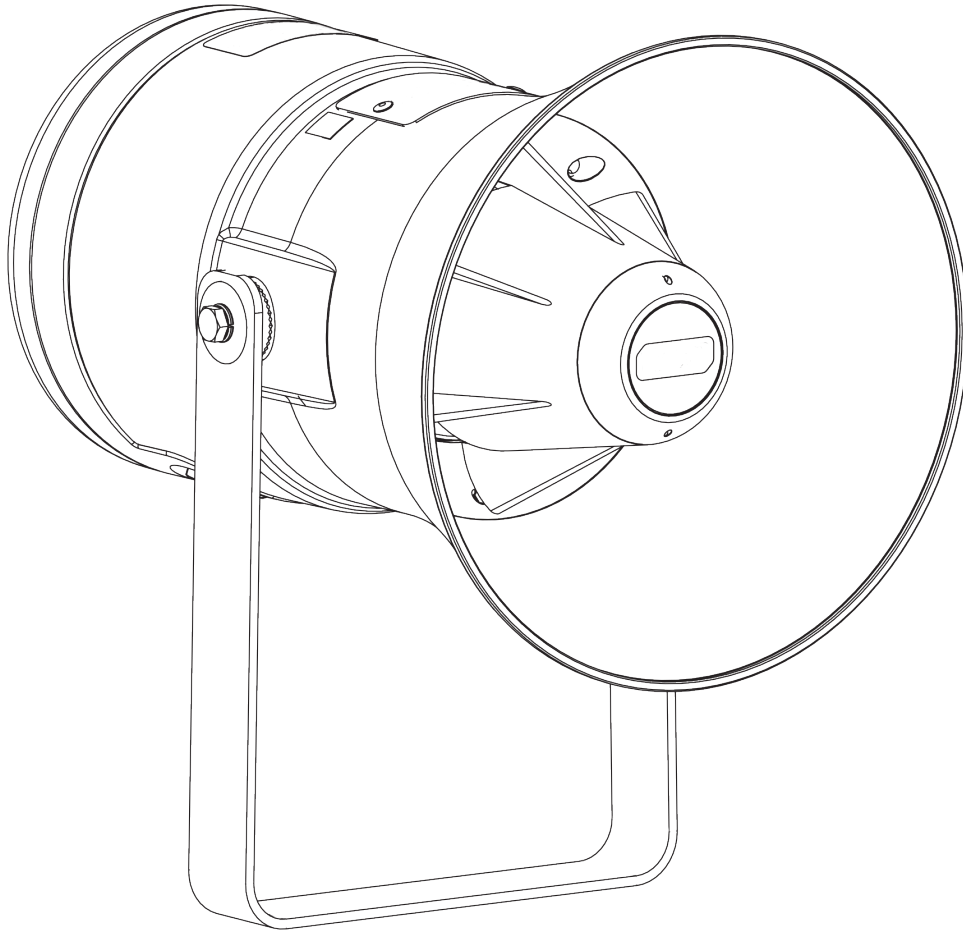


Sounder - DB3B



DISCLAIMER OF WARRANTIES AND LIMITATION OF LIABILITY

DISCLAIMER OF WARRANTIES AND LIMITATION OF LIABILITY

The information, recommendations, descriptions and safety notations in this document are based on Eaton Corporation's ("Eaton") experience and judgment and may not cover all contingencies. If further information is required, an Eaton sales office should be consulted. Sale of the product shown in this literature is subject to the terms and conditions outlined in appropriate Eaton selling policies or other contractual agreement between Eaton and the purchaser.

THERE ARE NO UNDERSTANDINGS, AGREEMENTS, WARRANTIES, EXPRESSED OR IMPLIED, INCLUDING WARRANTIES OF FITNESS FOR A PARTICULAR PURPOSE OR MERCHANTABILITY, OTHER THAN THOSE SPECIFICALLY SET OUT IN ANY EXISTING CONTRACT BETWEEN THE PARTIES. ANY SUCH CONTRACT STATES THE ENTIRE OBLIGATION OF EATON. THE CONTENTS OF THIS DOCUMENT SHALL NOT BECOME PART OF OR MODIFY ANY CONTRACT BETWEEN THE PARTIES.

In no event will Eaton be responsible to the purchaser or user in contract, in tort (including negligence), strict liability or otherwise for any special, indirect, incidental or consequential damage or loss whatsoever, including but not limited to damage or loss of use of equipment, plant or power system, cost of capital, loss of power, additional expenses in the use of existing power facilities, or claims against the purchaser or user by its customers resulting from the use of the information, recommendations and descriptions contained herein. The information contained in this manual is subject to change without notice.

Contents

1.0 INTRODUCTION	1
2.0 GENERAL SAFETY MESSAGES AND WARNINGS	1
3.0 INSTALLATION	1
Access to terminals	1
Wiring details	2
Ex d – AC input wiring details (Types 1 & 2)	2
Ex de – AC input wiring details (Types 3 & 4)	2
Ex d & Ex de – DC input, 3 stage without monitoring wiring details (Types 5 & 6)	3
Ex d & Ex de – DC input, dual stage common +ve with monitoring (standard configuration) wiring details (Types 7 & 8)	4
Ex d & Ex de – DC input, up to 3 stage with or without monitoring (alternative configuration) wiring details (Types 9 & 10)	4
Ex d – DC input with voltage free stage activation wiring details (Type 11)	5
Ex de – DC input with voltage free stage activation wiring details (Type 12)	5
4.0 OPERATION	5
5.0 MAINTENANCE	8
6.0 CERTIFICATION/APPROVALS	9
IECEx units	9
Gas (G) certified units	9
Gas & Dust (GD) certified units	9
ATEX units	9
Gas (G) certified units	9
Gas & dust (GD) certified units	9
These units also have the following approvals	10
7.0 SPECIAL CONDITIONS FOR SAFE USE	10
8.0 FUNCTIONAL SAFETY	10
Introduction	10
Assessment of functional safety	10
Conditions of safe use	12
9.0 EN54-3	12

1.0 Introduction

This range of sounders, intended for use in potentially explosive gas and dust atmospheres, is available in versions suitable for use in the following gas/dust groups:

The range is available in versions suitable for use in either gas (G) or gas and dust (GD) groups.

Note: (G) unit has nominally 6dB higher output than (GD) unit.

The Ex enclosure is manufactured from a UV stable glass reinforced polyester with a rugged thermoplastic flare. Stainless steel mounting bracket, cover screws and fixings are incorporated throughout thus ensuring a corrosion free product.


An optional Ex e terminal chamber is available (see certification section for further details).

An uncertified version is available for use in non-explosive atmospheres.

2.0 General safety messages and warnings

All instructions and safety messages in this manual must be followed to allow safe installation of the device. The device must only be installed and maintained by correctly trained site personnel/installers.

- I. To reduce the risk of ignition of hazardous atmospheres and shock, do not apply power to the device until installation has been completed and the device is fully sealed and secured.
- II. To reduce the risk of ignition of hazardous atmospheres and shock, keep device tightly closed when the circuit is energised.
- III. Before removing the cover for installation or maintenance, ensure that the power to the device is isolated.
- IV. Following installation, test the device to ensure correct operation.
- V. Following installation ensure a copy of this manual is made available to all operating personnel.
- VI. When installing the device, requirements for selection, installation and operation should be referred to e.g. IEE Wiring Regulations and the 'National Electrical Code' in North America. Additional national and/or local requirements may also apply.
- VII. Cable termination should be in accordance with the specification applying to the required application. MEDC recommends that all cables and cores should be correctly identified. Please refer to the wiring diagram in this manual (or separate diagram provided with the unit).
- VIII. Ensure that only the correct listed or certified cable glands are used and that the assembly is shrouded and correctly earthed.
- IX. Ensure that only the correct listed or certified stopping plugs are used to blank off unused gland entry points and that the NEMA/IP rating of the unit is maintained.

- X. MEDC recommend the use of a sealing compound such as HYLOMAR PL32 on the threads of all glands and stopping plugs and/or a suitable sealing washer in order to maintain the IP rating of the unit.
- XI. On Exde units, a suitable sealing washer must be fitted to all glands and stopping plugs fitted into the Exe enclosure.
- XII. The end user or installer shall ensure that this equipment is protected against external influences which could adversely affect the explosion protection, or contact the manufacturer if in doubt of the suitability of this equipment in the environment in which it is to be installed.
- XIII. **Ex d Units**  The internal earth terminal must be used for protective earthing when required. Do not remove the internal ground strap from the earth terminal where fitted. For units with metric entries; gland continuity and earthing may be achieved with an optional external earth plate. If the external plate is fitted, a thread sealing compound such as HYLOMAR PL32 must be employed to maintain the IP rating of the unit.

Ex de Units

The internal/external earth stud must be used for equipment grounding when required. Gland continuity is achieved if the optional internal earth plate is fitted.

- XIV. When installing the device, MEDC recommends the use of stainless steel fasteners. Ensure that all nuts, bolts and fixings are secure.
- XV. The unit should be positioned such that debris, dust or water cannot settle in the re-entrant horn.
- XVI. The unit should be positioned such that any solid object, not part of the equipment, is a minimum of 40mm from the Ex d flamepath joint.
- XVII. The purchaser should make the manufacturer aware of any external effects or aggressive substances that the equipment may be exposed to.

3.0 Installation

The unit is mounted via 2 off Ø9mm fixing holes in the U-shaped stirrup/mounting bracket. If required, the unit can be initially placed via the Ø13mm central hole in the stirrup. The unit can then be rotated to the required position and fixed via the other holes.

If ordered with the unit, a swivel mounting bracket option is available to allow further rotational adjustment to the unit.

The fixing holes have been designed to accept an M8 screw or bolt.

Access to terminals

On Ex d versions, the cover is secured with 6 off M5 cover screws (4.0mm A/F hexagon key). Once the cover fixings are unscrewed, the cover can be lifted away from the enclosure to gain access to the interior. The cover fixings are captive and will remain in the cover.

On Ex de versions the removable cover is secured using 3 off M5 cover screws (4.0mm A/F hexagon key). Once the cover fixings are unscrewed, the cover can be lifted away from the enclosure to gain access to the interior. The cover fixings are captive and will remain in the cover. All terminal screws, used and unused, shall be tightened down. Once termination is complete, carefully replace the cover assembly back onto the body, avoiding damage to the mating surfaces. Tighten the cover screws evenly. On Ex de certified versions, ensure the maximum torque value for the cover screws is observed, as marked on the Ex e cover. Ensure the O-ring is seated correctly on the cover during re-assembly. On Ex d certified versions, ensure the required maximum gap of 0.04mm is maintained between the cover and the base once assembled.

Wiring details

The unit is available in a number of basic configurations, below. See section 9 for EN54-3 specific configurations.

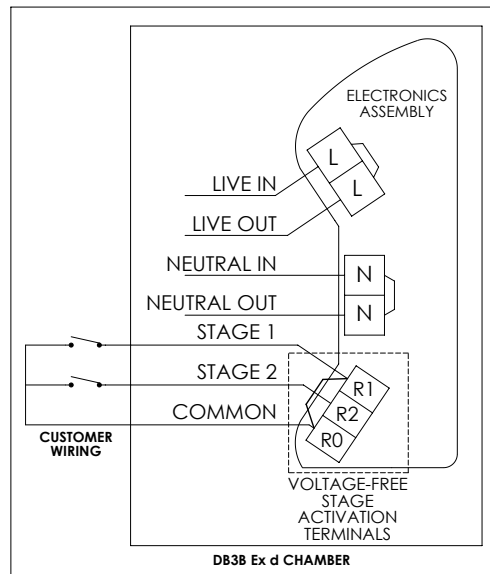
1. Ex d - AC input, single stage.
2. Ex d - AC input, dual stage with voltage-free stage selection.
3. Ex de - AC input, single stage.
4. Ex de - AC input, dual stage with voltage-free stage selection.
5. Ex d - DC input, up to 3 user selectable stages without monitoring.
6. Ex de - DC input, up to 3 user selectable stages without monitoring.
7. Ex d - DC input, up to 2 user selectable stages with EOL/monitoring (standard configuration).
8. Ex de - DC input, up to 2 user selectable stages with EOL/monitoring (standard configuration).
9. Ex d - DC input, up to 3 user selectable stages with optional EOL/monitoring (alternative configuration).
10. Ex de - DC input, up to 3 user selectable stages with optional EOL/monitoring (alternative configuration).
11. Ex d - DC input, 5 user selectable stages with voltage free stage selection with or without monitoring.
12. Ex de - DC input, 5 user selectable stages with voltage free stage selection with or without monitoring.

Ex d – AC input wiring details (Types 1 & 2)

- **Type 1:** Connect the live and neutral supply wires to the terminals as detailed in the wiring diagram. The unit will be supplied with the link between R1 and R0 fitted to the terminals. When power is applied to the unit, the stage 1 tone will be produced as selected on the 5- way DIP switch.
- **Type 2:** Connect the live and Neutral supply wires to the terminals as detailed in the wiring diagram. The unit will be supplied with no link fitted between R1 and R0. Connect wires and remote switches to terminals R0, R1 and R2 as shown. When power is initially applied to the unit, no tone will be produced. When the switch connected to R1 is closed, the stage 1 tone will be produced as selected by the 5-way DIP switch on the electronics assembly. When the switch connected to R2 is closed, the pre-selected tone for stage 2 is produced. See tone table 2 for details of pre-selected tones.

Note: Closing both switches will produce no tone.

Ex d – AC input wiring diagram (Types 1 & 2)

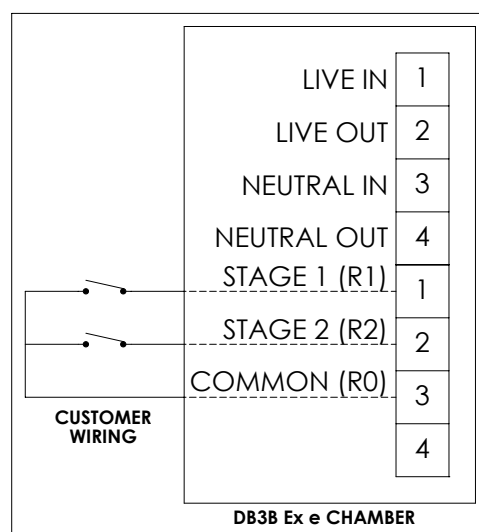


Ex de – AC input wiring details (Types 3 & 4)

- **Type 3:** Connect the live and neutral supply wires to the terminals as detailed in the wiring diagram. When power is applied to the unit, the stage 1 tone will be produced as selected on the 5- way DIP switch inside the Ex d chamber.
- **Type 4:** Connect the live and Neutral supply wires to the terminals as detailed in the wiring diagram. When power is initially applied to the unit, no tone will be produced. Connect wires and remote switches to terminals R0, R1 and R2 as shown. When the switch connected to R1 is closed, the stage 1 tone will be produced as selected by the 5-way DIP switch on the electronics assembly. When the switch connected to R2 is closed, the pre-selected tone for stage 2 is produced. See tone table 2 for details of pre-selected tones.

Closing both switches will produce no tone.

Ex de – AC input wiring diagram (Types 3 & 4)



Ex d & Ex de – DC input, 3 stage without monitoring wiring details (Types 5 & 6)

This type can be configured in a number of different ways depending on requirements. Independent tone selection for all 3 stages is via the 3 off 5-way DIP switches fitted to the electronics assembly:

- **2-wire system (Single stage):** Connect the positive and negative supply wires to the terminals as detailed in the wiring diagram.
- **2-wire system (Dual stage, reverse polarity):** Connect the positive and negative supply wires to the terminals as detailed in the wiring diagram. The second stage is produced by reversing the polarity of the supply to the unit.
- **3-wire system (Dual stage, common +ve):** Connect 3 supply wires to the terminals as detailed in the wiring diagram (1 common +ve wire and 2 -ve wires). Stage 1 is produced when power is applied across the common +ve and stage 1 -ve terminals. Stage 2 is produced when power is applied across the common +ve and stage 2 -ve terminals.
- **3-wire system (Dual stage, common -ve):** Connect 3 supply wires to the terminals as detailed in the wiring diagram (2 +ve wires and 1 common -ve wire). Stage

1 is produced when power is applied across the stage 1 +ve and common -ve terminals. Stage 2 is produced when power is applied across the stage 2 +ve and stage common -ve terminals.

- **4-wire system (Triple stage, Common -ve):** Connect 4 supply wires to the terminals as detailed in the wiring diagram (3 +ve wires and 1 common -ve wire). Stage 1 is produced when power is applied across the stage 1 +ve and common -ve terminals. Stage 2 is produced when power is applied across the stage 2 +ve and common -ve terminals. Stage 3 is produced when power is applied across the stage 3 +ve and common -ve terminals.

All versions are supplied with terminals to allow loop-in loop-out connection of the supply wires.

Note: If an EOL resistor is specified on a DC unit, it will be fitted as standard across terminals 5 & 6 in the Ex d chamber (see below). Re-position EOL as required for other configurations.

When positioning the EOL, ensure there is a minimum of 14mm free space between the resistor body and terminal block and ensure the resistor is not in contact with the PCB or housing.

Ex d & Ex de – DC Input, 3 stage without monitoring wiring details (Types 5 & 6)

DB3B DC SINGLE STAGE CONFIGURATION			DB3B DC DUAL STAGE REVERSE POLARITY CONFIGURATION		
	Ex d	Ex de		Ex d	Ex de
STAGE 1 +VE IN	1	1	STAGE 1 +VE IN/STAGE 2 -VE IN	1	1
STAGE 1 -VE IN	2	2	STAGE 1 -VE IN/STAGE 2 +VE IN	2	2
NOT USED	3	3	NOT USED	3	3
NOT USED	4	4	NOT USED	4	4
STAGE 1 +VE OUT	5	1	STAGE 1 +VE OUT/STAGE 2 -VE OUT	5	1
STAGE 1 -VE OUT	6	2	STAGE 1 -VE OUT/STAGE 2 +VE OUT	6	2
NOT USED	7	3	NOT USED	7	3
NOT USED	8	4	NOT USED	8	4

DB3B DC DUAL STAGE COMMON POSITIVE CONFIGURATION			DB3B DC DUAL STAGE COMMON NEGATIVE CONFIGURATION			DB3B DC TRIPLE STAGE COMMON NEGATIVE CONFIGURATION		
	Ex d	Ex de		Ex d	Ex de		Ex d	Ex de
COMMON +VE IN	1	1	STAGE 1 +VE IN	1	1	STAGE 2 +VE IN	1	1
STAGE 1 -VE IN	2	2	COMMON -VE IN	2	2	STAGE 3 +VE IN	2	2
NOT USED	3	3	NOT USED	3	3	STAGE 1 +VE IN	3	3
STAGE 2 -VE IN	4	4	STAGE 2 +VE IN	4	4	COMMON -VE IN	4	4
COMMON +VE OUT	5	1	STAGE 1 +VE OUT	5	1	STAGE 2 +VE OUT	5	1
STAGE 1 -VE OUT	6	2	COMMON -VE OUT	6	2	STAGE 3 +VE OUT	6	2
NOT USED	7	3	NOT USED	7	3	STAGE 1 +VE OUT	7	3
STAGE 2 -VE OUT	8	4	STAGE 2 +VE OUT	8	4	COMMON -VE OUT	8	4

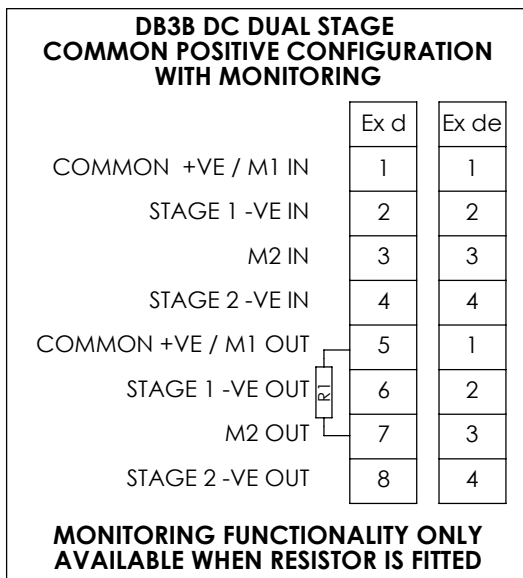
Ex d & Ex de – DC input, dual stage common +ve with monitoring (standard configuration) wiring details (Types 7 & 8)

Connect up to 4 supply wires to the terminals as detailed in the wiring diagram. Stage 1 is produced when power is applied across the common +ve and stage 1 -ve terminals. Stage 2 is produced when power is applied across the common +ve and stage 2 -ve terminals.

Monitoring functionality is obtained when the supply is connected across M1 & M2 terminals.

Note: monitored terminals are not polarity dependent.

Ex d & Ex de – DC input, dual stage common +ve diagram (Types 7 & 8)



Ex d & Ex de – DC input, up to 3 stage with or without monitoring (alternative configuration) wiring details (Types 9 & 10)

Note: This alternative configuration must be specified when ordering the unit.

This type can be connected either as a three stage common -ve configuration, or if an optional EOL is specified it can be configured as a dual stage common -ve system with monitoring.

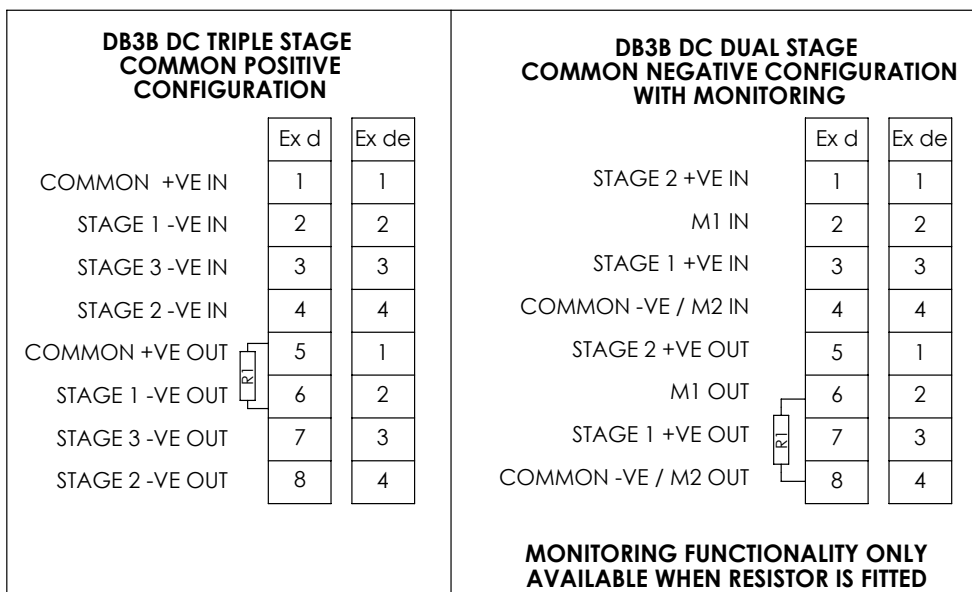
- **4-wire system (Triple stage, Common +ve):** Connect 4 supply wires to the terminals as detailed in the wiring diagram (1 common +ve wire and 3 -ve wires). Stage 1 is produced when power is applied across the common +ve and stage 1 -ve terminals. Stage 2 is produced when power is applied across the common +ve and stage 2 -ve terminals. Stage 3 is produced when power is applied across the common +ve and stage 3 -ve terminals.

- **4-wire system (Dual stage, common -ve with monitoring):** Connect up to 4 supply wires to the terminals as detailed in the wiring diagram. Stage 1 is produced when power is applied across the common -ve and stage 1 +ve terminals. Stage 2 is produced when power is applied across the common -ve and stage 2 +ve terminals.

Monitoring functionality is obtained when the supply is connected across M1 & M2 terminals.

Note: monitored terminals are not polarity dependent.

Ex d & Ex de – DC input, up to 3 stage diagrams (Types 9 & 10)

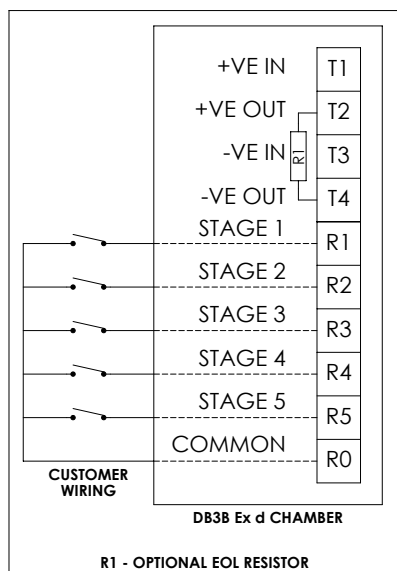


Ex d – DC input with voltage free stage activation wiring details (Type 11)

Connect the positive (+ve) and negative (-ve) supply wires to the terminals as detailed in the wiring diagram. When power is applied to the unit, no tone will be produced initially. Connect wires and remote switches to terminals R0 to R5 as shown. When the switch connected to R1 is closed, the stage 1 tone will be produced as selected by the 5-way DIP switch on the electronics assembly. When any of the other switches connected to R2 to R5 is closed, the preselected tone for stages 2 to 5 are produced. See tone table 2 for details of pre-selected tones.

Note: Closing more than one switch at a time will result in no tone being produced.

If a resistor (R1) is fitted, monitoring functionality is obtained when the supply polarity is reversed.

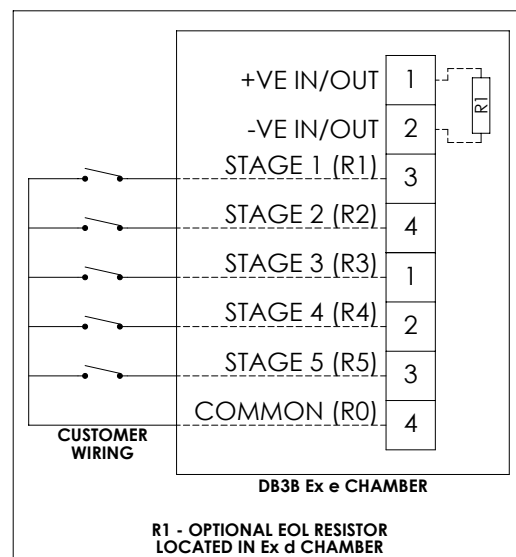


Ex de – DC input with voltage free stage activation wiring details (Type 12)

Connect the positive (+ve) and negative (-ve) supply wires to the terminals as detailed in the wiring diagram. When power is applied to the unit, no tone will be produced initially. Connect wires and remote switches to terminals R0 to R5 as shown. When the switch connected to R1 is closed, the stage 1 tone will be produced as selected by the 5-way DIP switch on the electronics assembly. When any of the other switches connected to R2 to R5 is closed, the pre-selected tone for stages 2 to 5 are produced. See tone table 2 for details of pre-selected tones.

Note: Closing more than one switch at a time will result in no tone being produced.

If a resistor (R1) is fitted, monitoring functionality is obtained when the supply polarity is reversed.



4.0 Operation

The sounder is available in various AC input voltage versions and a single DC input voltage version.

For AC versions, the nominal operating voltage is stated on the unit label and the supply voltage tolerance is $\pm 10\%$. For DC versions, the absolute input voltage range is 11.0Vdc to 57.6Vdc.

If using an EOL resistor with a value between 700 Ω and 2K Ω the maximum voltage should be limited to 28.8Vdc, if using an EOL resistor with a value between 470 Ω and 700 Ω the maximum voltage should be limited to 26Vdc.

The unit is fitted with a volume control which is positioned on the top face of the electronics assembly PCB.

Maximum volume is obtained when this control is turned fully clockwise. When turned fully anti-clockwise the unit will emit no sound.

Warning: Do not attempt to turn the volume control past its limits of movement as this may cause damage to the unit.

Stages

For all versions, a 5-way DIP switch selects the stage required for each stage. The settings for the standard stages are shown in the table below:

Tone table 1:

Tone no.	Tone freq/description	Switch setting 12345	Tone description	Nominal SPL (dB(A) @1M)
1	Alt Stages 800/970 Hz at 1/4 sec	11111		112
2	Sweeping 800/970 Hz at 7 Hz	11110	Fast Sweep (LF)	111
3*	Sweeping 800/1000 Hz at 1 Hz	11101	Medium Sweep (LF)	113
4	Continuous at 2850 Hz	11100		111
5	Sweeping 2400-2850 Hz at 7 Hz	11011	Fast Sweep	112
6	Sweeping 2400-2850 Hz at 1 Hz	11010		113
7*	Slow Whoop	11001	Slow Whoop	113
8*	Sweep 1 200-500 Hz at 1 Hz	11000	Din Stage	117
9	Alt Stages 2400/2850 Hz at 2 Hz	10111		111
10	Int Stage of 970 Hz at 1 Hz	10110	Back-up Alarm (LF)	112
11	Alt Stages 800/970 Hz at 7/8 Hz	10101		112
12	Int Stage at 2850 Hz at 1 Hz	10100	Back-up Alarm (HF)	112
13	970 Hz at 1/4 sec on 1 sec off	10011		112
14	Continuous at 970 Hz	10010		112
15*	554 Hz for 0.1S/440 Hz for 0.4S	10001	French Fire Sound	113
16	Int 660 Hz 150 mS on 150 mS off	10000	Swedish Fire Alarm	108
17	Int 660 Hz 1.8 sec on 1.8 sec off	01111	Swedish Fire Alarm	108
18	Int 660 Hz 6.5 sec on 13 sec off	01110	Swedish Fire Alarm	109
19*	Continuous 660 Hz	01101	Swedish Fire Alarm	108
20*	Alt 554/440 Hz at 1 Hz	01100	Swedish Fire Alarm	113
21	Int 660 Hz at 7/8 Hz	01011	Swedish Fire Alarm	108
22	Int 2850 Hz 150 mS on 100 mS off	01010	Pelican Crossing	111
23	Sweep 800-970 Hz at 50 Hz	01001	Low Freq. Buzz	109
24	Sweep 2400 -2850 Hz at 50 Hz	01000	High Freq. Buzz	111
25	3x970 Hz pulses 0.5 off, 1.5 off	00111		112
26	3x2850 Hz pulses 0.5on/0.5off, 1.5 off	00110		112
27	Int 3100 Hz 0.32s on/0.68s off	00101		105
28	Continuous 1400 Hz	00100		125
29	Spare / Custom tone	00011		
30	Spare / Custom tone	00010		
31	Spare / Custom tone	00001		
32	Spare / Custom tone	00000		

Note: If special tones were requested at the time of ordering, please see the separate tones list supplied with the unit for details of these special tones and their respective switch settings.

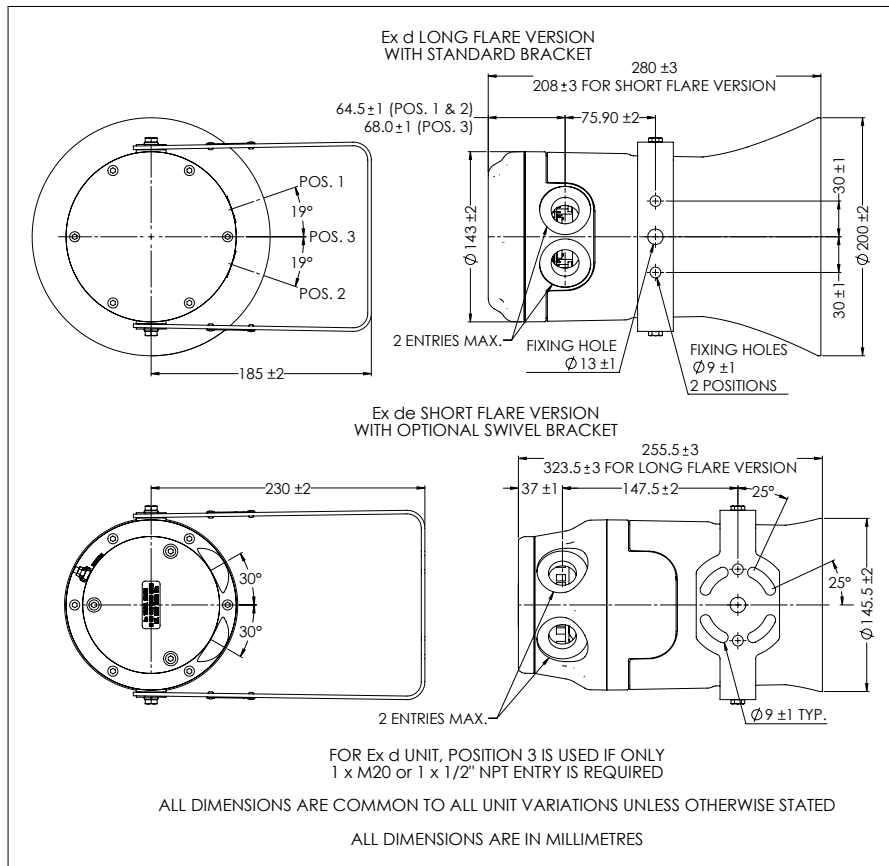
* = EN54-3 compliant tones. See section 9 for EN54-3 specific tones data.

Note:

Tone table 2: Pre-selected tone details for voltage-free activation stages:

Stage 1			Stage 2	Stage 3	Stage 4	Stage 5	Stage 2
1	Alt Tones 800/970Hz at 1/4 sec	11111	T14	T10	T11	T8	T14
2	Sweeping 800/970Hz at 7 Hz	11110	T14	T10	T1	T8	T14
3	Sweeping 800/970Hz at 1 Hz	11101	T14	T10	T1	T8	T14
4	Continuous at 2850Hz	11100	T14	T10	T1	T8	T14
5	Sweeping 2400-2850Hz at 7Hz	11011	T14	T10	T1	T8	T14
6	Sweeping 2400-2850Hz at 1 Hz	11010	T14	T10	T1	T8	T14
7	Slow Whoop	11001	T14	T10	T1	T8	T14
8	Sweep 1 200-500Hz at 1 Hz	11000	T14	T10	T1	T6	T14
9	Alt Tones 2400/2850Hz at 2Hz	10111	T14	T10	T1	T8	T14
10	Int Tone of 970Hz at 1 Hz	10110	T14	T12	T1	T8	T14
11	Alt Tones 800/970Hz at 7/8Hz	10101	T14	T10	T1	T8	T14
12	Int Tone at 2850Hz at 1 Hz	10100	T14	T10	T1	T8	T14
13	970Hz at 1/4 sec on 1 sec off	10011	T14	T10	T1	T8	T14
14	Continuous at 970Hz	10010	T28	T10	T1	T8	T28
15	554Hz for 0.1 S/440Hz for 0.4S	10001	T14	T10	T1	T8	T14
16	Int 660Hz 150 mS on 150 mS off	10000	T14	T10	T1	T8	T14
17	Int 660Hz 1.8 sec on 1.8 sec off	01111	T14	T10	T1	T8	T14
18	Int 660Hz 6.5 sec on 13 sec off	01110	T14	T10	T1	T8	T14
19	Continuous 660Hz	01101	T14	T10	T1	T8	T14
20	Alt 554/440Hz at 1 Hz	01100	T14	T10	T1	T8	T14
21	Int 660Hz at 7/8Hz	01011	T14	T10	T1	T8	T14
22	Int 2850Hz 150 mS on 100 mS off	01010	T14	T10	T1	T8	T14
23	Sweep 800-970Hz at 50Hz	01001	T14	T10	T1	T8	T14
24	Sweep 2400-2850Hz at 50Hz	01000	T14	T10	T1	T8	T14
25	3x970Hz pulses 0.5 off, 1.5 off	00111	T14	T10	T1	T8	T14
26	3x2850Hz pulses 0.5on/0.5off, 1.5 off	00110	T14	T10	T1	T8	T14
27	Int 3100Hz 0.32s on/0.68s off	00101	T14	T10	T1	T8	T14
28	Continuous 1400Hz	00100	T14	T10	T1	T8	T14
29	Spare/Custom tone	00011					
30	Spare/Custom tone	00010					
31	Spare/Custom tone	00001					
32	Spare/Custom tone	00000					

General arrangement

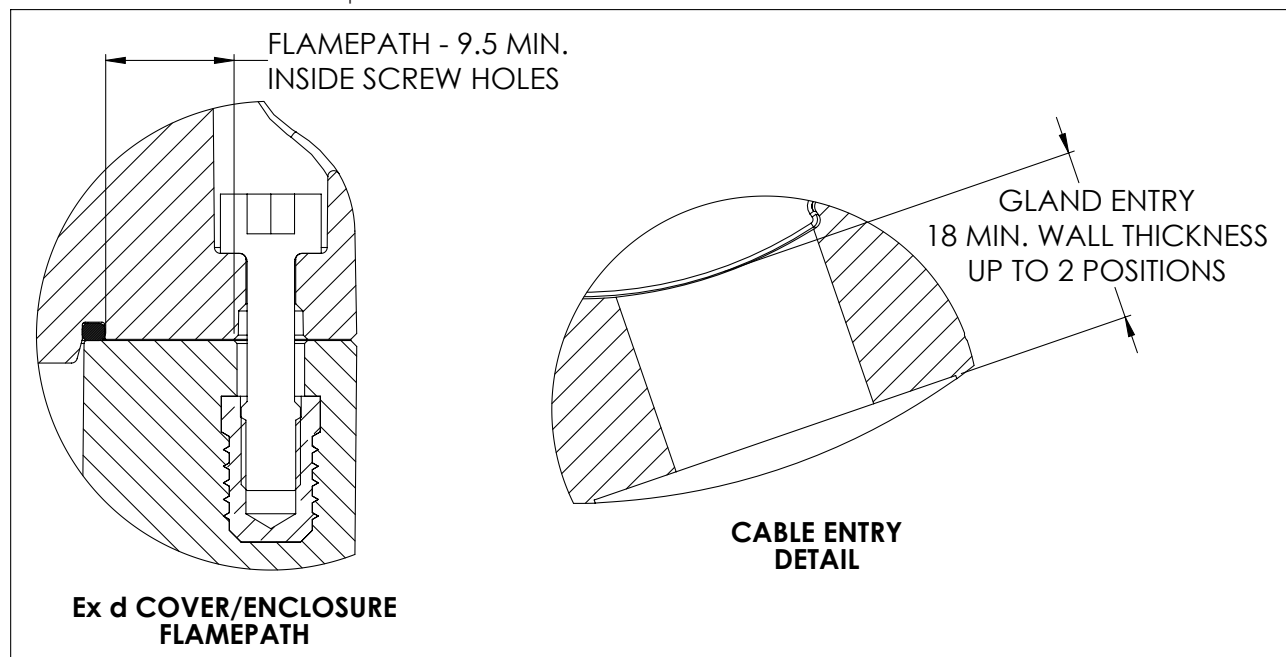


5.0 Maintenance

During the working life of the unit, it should require little or no maintenance. GRP will resist attack by most acids, alkalis and chemicals and is as resistant to concentrated acids and alkalis as most metal products.

However, if abnormal or unusual environmental conditions occur due to plant damage or accident etc., then visual inspection is recommended.

See below diagram for details of the flameproof joints found in the unit. **WARNING!** – The flameproof joints detailed below are not intended to be repaired.



If the unit requires cleaning, then only clean exterior with a damp cloth to avoid electro-static charge build up.

If a unit fault should occur, then the unit can be repaired by MEDC.

If you acquired a significant quantity of units, then it is recommended that spares are also made available. Please discuss your requirements with the Technical Sales Engineers at MEDC.

6.0 Certification/approvals

IECEx units

Gas (G) certified units

Certified to IEC60079-0, IEC60079-1 and IEC60079-7

Ex d IIC unit (IEC certification No. IECEx BAS 13.0112X)

Ex db IIC T_G (T_{amb.}) Gb

Ex de IIC unit (IEC certification No. IECEx BAS 13.0114X)

Ex db eb IIC T_G (T_{amb.}) Gb

See special conditions for safe use for ambient temperature ranges and T-ratings.

The IECEx certificate and product label carry the IECEx equipment protection level marking:

Gb

Where Gb signifies suitability for use in a Zone 1 surface industries area in the presence of gas.

Gas & Dust (GD) certified units

Certified to IEC60079-0, IEC60079-1, IEC60079-7 and IEC60079-31

Ex d IIIC unit (IEC certification No. IECEx BAS 13.0113X)

Ex db IIC T_G (T_{amb.}) Gb

Ex tb IIIC T_D (T_{amb.}) Db IP6X

Ex de IIIC unit (IEC certification No. IECEx BAS 13.0115X)

Ex db eb IIC T_G (T_{amb.}) Gb

Ex tb IIIC T_D (T_{amb.}) Db IP65/66*

*depending on outer flare type (Short flare – IP65, Long flare – IP66)

See special conditions for safe use for ambient temperature ranges and T-ratings.

The IECEx certificate and product label carry the IECEx equipment protection level markings:

Gb and Db

Where Gb signifies suitability for use in a Zone 1 surface industries area in the presence of gas.

Db signifies suitability for use in a Zone 21 surface industries area in the presence of dust.

ATEX units

Gas (G) certified units

Certified to EN60079-0, EN60079-1 and EN60079-7

Ex d IIC unit (ATEX certification No. Baseefa 13ATEX0229X)

Ex db IIC T_G (T_{amb.}) Gb

Ex de IIC unit (ATEX certification No. Baseefa 13ATEX0232X)


Ex db eb IIC T_G (T_{amb.}) Gb

See special conditions for safe use for ambient temperature ranges and T-ratings.

The ATEX certificate and product label carry the ATEX group and category marking:

 II 2 G

Where:

-  Signifies compliance with ATEX
- II Signifies suitability for use in surface industries
- 2 Signifies suitability for use in a zone 1 area
- G Signifies suitability for use in the presence of gases

Gas & dust (GD) certified units

Certified to EN60079-0, EN60079-1, EN60079-7 and EN60079-31

Ex d IIIC unit (ATEX certification No. Baseefa13ATEX0231X)

Ex db IIC T_G (T_{amb.}) Gb

Ex tb IIIC T_D (T_{amb.}) Db IP6X

Ex de IIIC unit (ATEX certification No. Baseefa13ATEX0233X)

Ex db eb IIC T_G (T_{amb.}) Gb

Ex tb IIIC T_D (T_{amb.}) Db IP65/66*


*depending on outer flare type (Short flare – IP65, Long flare – IP66).

See special conditions for safe use for ambient temperature ranges and T-ratings.

The ATEX certificate and product label carry the ATEX group and category marking:

 II 2 GD

Where:

-  Signifies compliance with ATEX
- II Signifies suitability for use in surface industries
- 2 Signifies suitability for use in a zone 1 area
- G Signifies suitability for use in the presence of gases
- D Signifies suitability for use in the presence of dust

These units also have the following approvals:

Ingress protection: Ex d & Ex e terminal chambers – IP66 & IP67 to IEC60529

EN54-3 Fire Alarm Device - Sounder (11-57.6V DC Absolute)

Environment Type B Outdoor applications

Ambient Temperature -25°C to +70°C

IP code IP33C to BS EN 60529:1992



This signifies unit compliance to the relevant European regulations, in this case 305/2011, along with the name and number of the notified body issuing the certificate of conformity.

7.0 Special conditions for safe use

- a) Type DB3B Ex d:
 - IECEX BAS 13.0112X, IECEX BAS 13.0113X, Baseefa13ATEX0229X & Baseefa13ATEX0231X
 - 1. For replacement purposes the cover fixing screws shall be of stainless steel grade A2-70 or stronger.
 - 2. Painting and surface finishes, other than those applied by the manufacturer, are not permitted.
 - 3. When the unit is used in dust atmospheres (GD units only) the cable entries used shall be sealed to maintain the IP6X rating, in accordance with the applicable installation codes.
 - 4. This apparatus is suitable for use only in ambient temperatures as follows:

Max. Power rating	T _{amb.}	T _G	T _D
15W	-55°C to +85°C	T4	T135°C
	-55°C to +55°C	T5	T100°C
	-55°C to +40°C	T6	T85°C

- b) Type DB3B Ex de:
 - IECEX BAS 13.0114X, IECEX BAS 13.0115X, Baseefa13ATEX0232X & Baseefa13ATEX0233X
 - 1. For replacement purposes the cover fixing screws shall be of stainless steel grade A2-70 or stronger.
 - 2. Painting and surface finishes, other than those applied by the manufacturer, are not permitted.
 - 3. Not more than one single or multiple strand wiring lead shall be connected into either side of any terminal, unless multiple conductors have been joined in a suitable manner, e.g. two conductors into a single insulated boot lace ferrule.
 - 4. Leads connected to the terminals shall be insulated for at least 275V and this insulation shall extend to within 1mm of the metal of the terminal throat.
 - 5. Minimum creepage and clearance distances between

the terminals and adjacent conductive parts (including cable entry devices) must be at least 6mm.

- 6. All terminal screws, used and unused, shall be tightened down.
- 7. When the unit is used in dust atmospheres (GD units only) the cable entries used shall be sealed to maintain the IP6X rating, in accordance with the applicable installation codes.
- 8. If used, internal optional earthing material shall be anti-corrosive.
- 9. This apparatus is suitable for use only in ambient temperatures as follows:

Max. Power rating	T _{amb.}	T _G	T _D
15W	-50°C to +85°C	T4	T135°C
	-50°C to +55°C	T5	T100°C
	-50°C to +40°C	T6	T85°C

8.0 Functional safety

Introduction

The DB3B Sounder has been designed for use in potentially explosive atmospheres and harsh environmental conditions. The glass reinforced polyester enclosures are suitable for use offshore or onshore, where light weight combined with corrosion resistance is required.

The safety function of the Sounder is to provide a pre-determined audible warning sound when required if the correct voltage is applied to the unit. The DC version of the Sounder is designed to operate on a supply voltage between 12-48v dc.

Under No fault (Normal) Operating conditions the DB3B Sounder will provide an audible warning sound when required by the system. Under fault conditions the failure mode of the Sounder is a failure to provide an audible warning sound. For the failure rate associated with this failure mode please refer to the table below.

Assessment of functional safety

This Sounder is intended for use in a safety system conforming to the requirements of IEC61508.

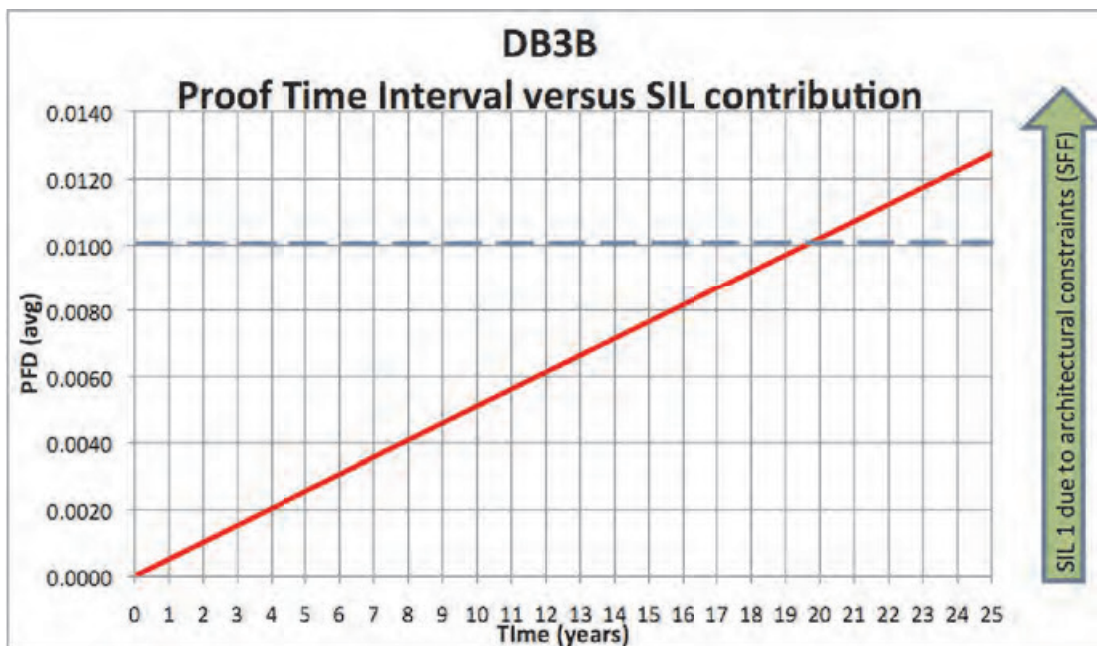
UL has conducted a Failure Modes Effect and Diagnostic Analysis (FMEDA) of the DB3B Sounder against the requirements of IEC 61508-2 using a Proof Test Interval of 8760hrs.

The results are shown below and are based on Route 1_H. The Sounder is classed as a Type B device.

DB3B Sounder

Safety Function of DB3B Sounder:
To provide a pre-described audible warning sound when required

Summary of Clauses 2/7.4.2 and 2/7.4.4	DB3B Sounder Single Mode (1oo1)	DB3B Sounder Redundant Mode (1oo2)	Verdict
Architectural constraints Safe Failure Fraction (SFF)	HFT=0 65.9%	HFT=1 65.9%	Type B SIL 1(1oo1) SIL 2 (1oo2)
Random hardware failures: [h ⁻¹]	λ_{DU} 6.5E+09 1.16E-07	λ_{DU} 6.5E+10 1.16E-08	
Random hardware failures: [h ⁻¹]	λ_{SD} λ_{SU} 0.00E+00 2.18E-07	λ_{SD} λ_{SU} 0.00E+00 2.18E-08	
PFD @ PTI = 8760Hrs MTTR = 8 Hrs	5.09E-04	5.09E-05	SIL 3(1oo1)
Average freq. of dangerous failure (high demand-PFH)[h ⁻¹]	1.16E-07	1.16E-08	SIL 2(1 oo1)
Hardware safety integrity compliance	Route 1 _H		
Systematic safety integrity compliance	Route 1 _S		
Systematic Capability (SC1, SC2, SC3, SC4)	SC2		
Hardware safety integrity achieved	Limited to: SIL 1 (1oo1) & SIL 2 (1oo2) due to SFF value.		



Conditions of safe use

The following conditions apply to the installation, operation and maintenance of the assessed equipment. Failure to observe these may compromise the safety integrity of the assessed equipment:

1. The user shall comply with the requirements given in the manufacturer's user documentation (This Safety Manual and Technical manual) in regard to all relevant functional safety aspects such as application of use, installation, operation, maintenance, proof tests, maximum ratings, environmental conditions, repair, etc.
2. Selection of this equipment for use in safety functions and the installation, configuration, overall validation, maintenance and repair shall only be carried out by competent personnel, observing all the manufacturer's conditions and recommendations in the user documentation.
3. **All information associated with any field failures of this product should be collected under a dependability management process (e.g., IEC**

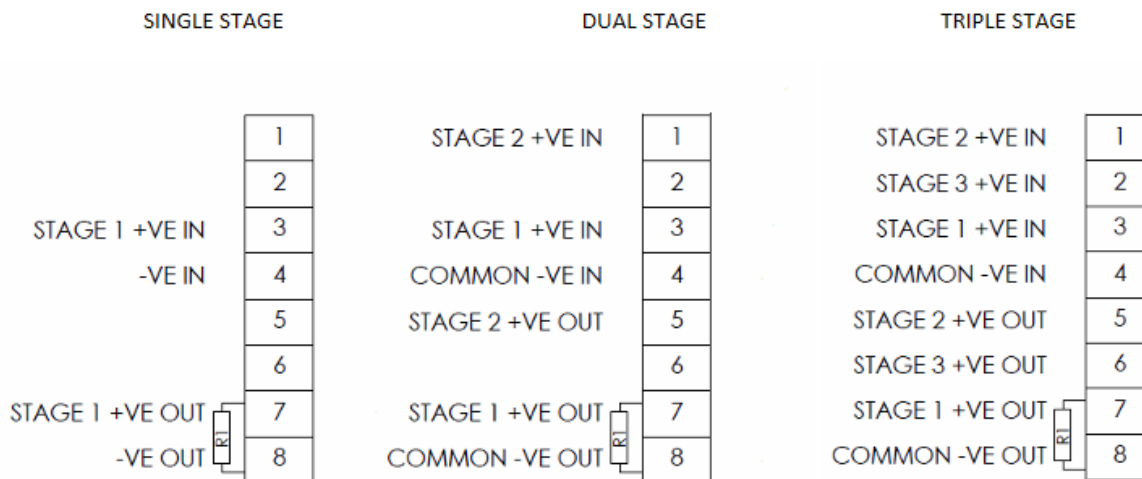
60300-3-2) and reported to the manufacturer.

4. The unit should be tested at regular intervals to identify any malfunctions; in accordance with this safety manual.
5. If the product is used in a redundant installation, both hardware safety integrity and systematic safety integrity for SIL 2 can be achieved. The installation must be such as to ensure sufficient protection against common cause failures and independence from cascading failures.

9.0 EN54-3 certified product

Wiring Configuration

The EN54-3 certified version may be connected for single stage only (2 wires) dual stage common negative only (3 wires) or triple stage common negative (4 wires) in the configurations shown below.



EN54-3 Compliant Tones Data

	Angle	Minimum Volume dB(A)			
		Horizontal Plane		Vertical Plane	
		Max 58V	Min 11V	Max 58V	Min 11V
TONE 3	15°	97.9	96.7	97.9	98.5
	45°	102.2	100.7	101.2	99.6
	75°	110.2	109.2	110.0	108.9
	105°	110.2	109.3	110.6	109.5
	135°	103.4	102.0	104.8	103.3
	165°	98.4	97.4	99.6	98.5
TONE 7	15°	98.0	96.7	97.7	96.5
	45°	104.1	102.3	103.8	102.1
	75°	110.1	108.9	109.9	108.7
	105°	110.1	108.9	110.4	109.3
	135°	103.6	101.9	104.8	103.2
	165°	98.2	96.7	99.5	98.3
TONE 8	15°	98.3	97.2	97.2	96.1
	45°	104.7	103.5	104.7	103.5
	75°	109.2	108.2	108.9	107.9
	105°	109.1	108.1	109.5	108.5
	135°	103.3	101.9	103.8	102.5
	165°	97.5	96.4	98.7	97.7
TONE 15	15°	94.9	93.3	94.4	92.7
	45°	100.7	99.1	100.1	98.4
	75°	103.6	102.0	103.0	101.3
	105°	103.2	101.6	103.8	101.9
	135°	99.1	97.5	100.0	98.3
	165°	94.6	93.0	95.3	93.5
TONE 19	15°	99.0	98.2	98.5	97.6
	45°	98.4	97.6	93.6	92.7
	75°	110.9	110.1	110.2	109.2
	105°	110.7	110.0	110.5	109.6
	135°	102.3	101.5	103.6	102.6
	165°	98.4	97.7	99.8	98.8
TONE 20	15°	95.0	93.3	94.9	93.4
	45°	101.5	99.8	101.9	100.5
	75°	104.2	102.4	103.4	102.0
	105°	104.4	102.6	105.1	103.6
	135°	99.2	97.5	99.8	98.3
	165°	96.1	94.4	96.9	95.5

Contents

1.0 INTRODUCTION	15
2.0 MESSAGES ET AVERTISSEMENTS GÉNÉRAUX DE SÉCURITÉ	15
3.0 INSTALLATION	16
Accès aux bornes	16
Détail du câblage	16
Ex d – Détail du câblage de l'alimentation CA (Types 1 & 2)	16
Ex de – Détail du câblage de l'alimentation CA (Types 3 & 4)	17
Ex d & Ex de – Détail du câblage de l'alimentation CC, 3 phases sans contrôle (Types 5 & 6)	17
Ex d & Ex de – Alimentation CC, détail de câblage pour +ve commun deux phases avec contrôle (configuration standard) (Types 7 & 8)	18
Ex d & Ex de – Détail du câblage de l'alimentation CC, jusqu'à 3 phases avec ou sans contrôle (configuration alternative) (Types 9 & 10)	19
Ex d – Alimentation CC, jusqu'à 5 phases sélectionnables par l'utilisateur avec sélection de phase hors tension avec ou sans contrôle (Type 11)	19
Ex de – Alimentation CC, jusqu'à 5 phases sélectionnables par l'utilisateur avec sélection de phase hors tension avec ou sans contrôle (Type 12)	20
4.0 FONCTIONNEMENT	20
5.0 ENTRETIEN	23
6.0 CERTIFICATION/APPROBATIONS	24
Unités IECEx	24
Unités certifiées pour les gaz (G)	24
Unités certifiées pour gaz et poussière (GD)	24
Unités ATEX	24
Unités certifiées pour les gaz (G)	24
Unités certifiées pour gaz et poussière (GD)	24
Ces unités bénéficient également des approbations suivantes	24
7.0 CONDITIONS SPÉCIALES POUR UTILISATION SÉCURISÉE	25
8.0 SÉCURITÉ FONCTIONNELLE	26
Introduction	26
Évaluation de sécurité fonctionnelle	26
Conditions d'utilisation sécurisée	27
9.0 EN54-3	27

1.0 Introduction

Cette gamme de générateurs de sons, conçue pour être utilisée dans des atmosphères gazeuses potentiellement explosives et poussiéreuses, est disponible dans des versions adaptées aux groupes de gaz et/ou poussières suivants :

La gamme est disponible dans des versions adaptées pour une utilisation soit avec des groupes de gaz (G), soit avec des groupes de gaz et poussières (GD).

Note: l'unité (G) a une puissance de sortie nominale supérieure de 6 dB à celle d'une unité (GD).

Le boîtier Ex est fabriqué en polyester renforcé de fibres de verre résistant aux UV et ayant une robuste balise thermoplastique. L'intégration d'un support en acier inoxydable, des vis du couvercle et des fixations garantit un produit anticorrosion.

Une boîte de raccordement Ex e optionnelle est disponible (voir section de certification pour davantage de détails).

Une version non certifiée est disponible pour une utilisation dans des atmosphères non explosives.


2.0 Messages et avertissements généraux de sécurité

Suivre toutes les instructions et messages de sécurité contenus dans ce manuel pour permettre l'installation sécurisée de l'appareil. L'appareil doit être exclusivement installé et entretenu par du personnel/des installateurs sur site correctement formés.

- I. Pour réduire le risque d'incendie dans des atmosphères dangereuses et de décharges, ne pas mettre l'appareil sous tension avant d'avoir terminé l'installation et avant de l'avoir parfaitement scellé et sécurisé.
- II. Pour réduire le risque d'incendie dans des atmosphères dangereuses et de décharges, maintenir l'appareil totalement fermé lors de la mise sous tension du circuit.
- III. Avant de retirer le couvercle pour toute opération d'installation ou d'entretien, s'assurer que l'alimentation de l'appareil est isolée.
- IV. Une fois l'installation terminée, tester l'appareil pour s'assurer de son bon fonctionnement.
- v. Une fois l'installation terminée, s'assurer qu'une copie de ce manuel est mise à la disposition de tous les opérateurs.
- VI. Lors de l'installation de l'appareil, se reporter aux exigences de sélection, d'installation et de fonctionnement : par exemple les Réglementations de câblage de l'IEE et le Code national d'électricité américain (NEC) pour l'Amérique du Nord. Des exigences nationales et/ou locales supplémentaires peuvent également s'appliquer.
- VII. Les terminaisons de câble doivent être conformes aux exigences spécifiques de l'application requise. MEDC recommande que tous les câbles et conducteurs soient correctement identifiés. Merci de se reporter au schéma de câblage fourni dans ce manuel (ou au schéma spécifique fourni avec l'unité).

- VIII. S'assurer de n'utiliser que les presse-étoupe spécifiés ou certifiés et vérifier que l'ensemble soit bien protégé et mis à la terre.
- IX. S'assurer de n'utiliser que les bouchons obturateurs spécifiés ou certifiés pour obturer les entrées de presse-étoupe non utilisées et vérifier que le degré de protection NEMA/IP de l'unité soit maintenu.
- X. MEDC recommande l'utilisation d'une pâte d'étanchéité telle que HYLUMAR PL32 sur tous les filetages des presse-étoupe et des bouchons obturateurs et/ou d'une rondelle d'étanchéité adaptée, afin de maintenir le degré de protection IP de l'unité.
- XI. Sur les unités Exde, une rondelle d'étanchéité adaptée doit être montée sur tous les presse-étoupe et les bouchons obturateurs présents dans le boîtier Exe.
- XII. L'utilisateur final ou l'installateur doit s'assurer que cet équipement est protégé contre les influences extérieures qui pourraient nuire à la protection contre les explosions, ou contacter le fabricant en cas de doute sur son adéquation à l'environnement dans lequel il doit être installé.

XIII. Unités Ex d

La borne de terre interne  doit être utilisée pour une mise à la terre de protection lorsque nécessaire. Ne pas retirer la tresse de masse de la borne de terre, quand elle existe.

Pour les unités avec entrées métriques ; la continuité du presse-étoupe et la mise à la terre peuvent être réalisés avec une plaque de masse externe en option. Si la plaque externe est montée, un composé d'étanchéité de filetage comme HYLUMAR PL32 doit être employé pour maintenir la classification IP de l'appareil.

Unités Ex d e

La tige de mise à la terre interne/ externe doit être utilisée pour la mise à la terre de l'équipement au besoin.

La continuité du presse-étoupe est réalisée si la plaque de mise à la terre interne en option est installée.

- XIV. MEDC recommande l'utilisation d'éléments de fixation en acier inoxydable lors de l'installation de l'appareil. S'assurer que tous les écrous, les boulons et les fixations sont sécurisés.
- XV. L'unité doit être positionnée de façon que les débris, la poussière ou l'eau ne puissent pas pénétrer dans le pavillon.
- XVI. L'unité doit être placée de telle sorte que tout objet solide ne faisant pas partie de l'équipement, se trouve à un minimum de 40 mm du joint Ex d situé sur le parcours des flammes.
- XVII. L'acheteur doit informer le fabricant de tout impact externe ou de toute substance agressive auxquels l'appareil peut être exposé.

3.0 Installation

L'unité est montée à l'aide de 2 trous de fixation de 9 mm de diamètre sur l'étrier et/ou support en forme de U. Si nécessaire, l'unité peut être mise en place au départ à l'aide du trou central de 13 mm de diamètre prévu dans l'étrier. L'unité peut ensuite être tournée en position requise et fixée à l'aide des autres trous.

Si elle est commandée avec l'unité, une option comportant un étrier de montage pivotant est disponible pour permettre un réglage supplémentaire en rotation de l'unité.

Les trous de fixation ont été conçus pour accueillir une vis ou un boulon M8.

Accès aux bornes

Sur les versions Ex d, le couvercle est fixé à l'aide de 6 vis imperdables M5 (à l'aide d'une clé hexagonale/à 6 pans de 4 mm). Une fois que les fixations du couvercle sont dévissées, il est possible de démonter le couvercle en le soulevant pour accéder à l'intérieur. Les fixations du couvercle sont imperdables et restent liées au couvercle.

Sur les versions Ex de, le couvercle amovible est fixé à l'aide de 3 vis imperdables M5 (à l'aide d'une clé hexagonale/à 6 pans de 4 mm). Une fois que les fixations du couvercle sont dévissées, il est possible de démonter le couvercle en le soulevant pour accéder à l'intérieur. Les fixations du couvercle sont imperdables et restent liées au couvercle. Toutes les vis des bornes, utilisées ou non, doivent être serrées à fond.

Une fois l'opération de terminaison des câbles achevée, remettre le couvercle en place sur le corps en faisant attention à ne pas endommager les surfaces de contact. Serrer uniformément les vis du couvercle. Sur les versions Ex de certifiées, s'assurer que le couple maximal est bien appliqué aux vis du couvercle, comme indiqué sur le couvercle Ex e. S'assurer que le joint torique est correctement fixé sur le couvercle pendant le remontage. Sur les versions Ex d certifiées, s'assurer que la distance maximale nécessaire de 0,04 mm est bien maintenue entre le couvercle et la base après l'assemblage.

Détail du câblage

L'unité est disponible en un certain nombre de configurations de base listées ci-dessous. Voir section 9 pour les configurations spécifiques à la norme EN54-3.

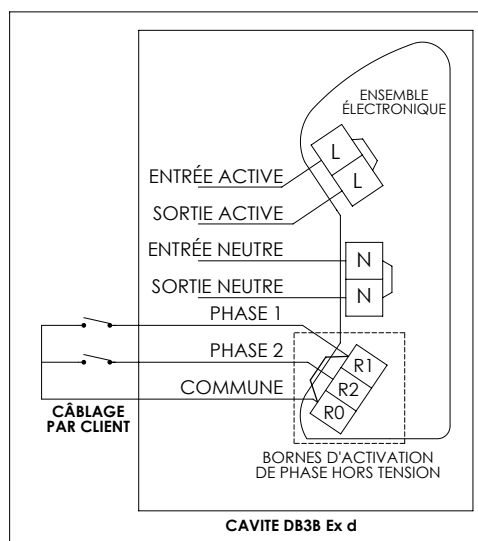
1. Ex d – entrée CA, une seule phase.
2. Ex d – entrée CA, deux phases avec sélection de la phase hors tension.
3. Ex de – entrée CA, une seule phase.
4. Ex de – entrée CA, deux phases avec sélection de la phase hors tension.
5. Ex d - Alimentation CC, jusqu'à 3 phases sélectionnables par l'utilisateur sans contrôle.
6. Ex de - Alimentation CC, jusqu'à 3 phases sélectionnables par l'utilisateur sans contrôle.
7. Ex d - Alimentation CC, jusqu'à 2 phases sélectionnables par l'utilisateur avec EOL/contrôle (configuration standard).

8. Ex de - Alimentation CC, jusqu'à 2 phases sélectionnables par l'utilisateur avec EOL/contrôle (configuration standard).
9. Ex d - Alimentation CC, jusqu'à 3 phases sélectionnables par l'utilisateur avec EOL/contrôle en option (configuration alternative).
10. Ex de - Alimentation CC, jusqu'à 3 phases sélectionnables par l'utilisateur avec EOL/contrôle en option (configuration alternative).
11. Ex d - Alimentation CC, jusqu'à 5 phases sélectionnables par l'utilisateur avec sélection de phase hors tension avec ou sans contrôle.
12. Ex de - Alimentation CC, jusqu'à 5 phases sélectionnables par l'utilisateur avec sélection de phase hors tension avec ou sans contrôle.

Ex d – Détail du câblage de l'alimentation CA (Types 1 & 2)

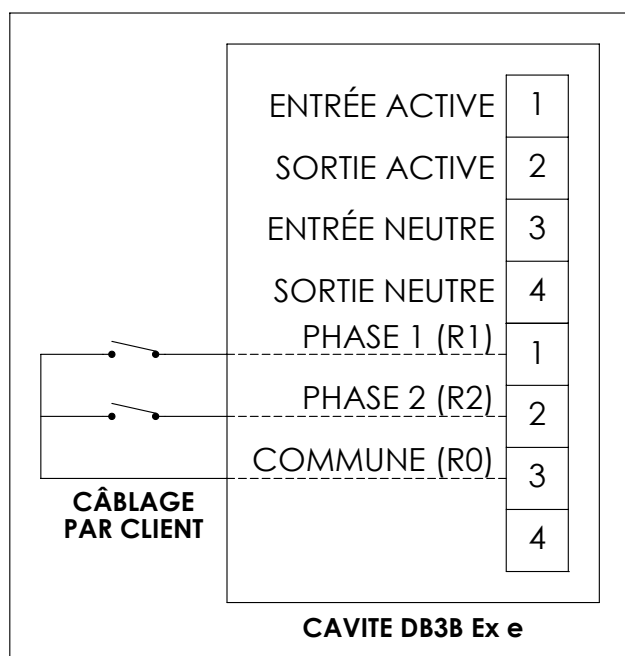
- **Type 1** : Connecter les fils d'alimentation actif et neutre aux bornes comme indiqué en détail dans le schéma de câblage. L'unité est fournie avec la liaison entre R1 et R0 fixée aux bornes. Lorsque l'alimentation est appliquée à l'unité, le son de la phase 1 est émis, selon la sélection choisie sur l'interrupteur DIP à 5 voies.
- **Type 2** : Connecter les fils d'alimentation actif et neutre aux bornes comme indiqué en détail dans le schéma de câblage. L'unité est fournie sans liaison entre R1 et R0. Connecter les fils et les interrupteurs distants aux bornes R0, R1 et R2 comme indiqué. Lorsque l'alimentation est appliquée initialement à l'unité, aucun son n'est émis. Lorsque l'interrupteur connecté à R1 est fermé, le son de la phase 1 est émis, selon la sélection choisie sur l'interrupteur DIP à 5 voies de l'ensemble électronique. Lorsque l'interrupteur connecté à R2 est fermé, c'est le son préselectionné pour la phase 1 qui est émis. Voir la table des sons 2 pour les détails des sons présélectionnés.

Note: Si l'on ferme les deux interrupteurs, aucun son n'est émis.



Ex de – Détail du câblage de l'alimentation CA (Types 3 & 4)

- **Type 3** : Connecter les fils d'alimentation actif et neutre aux bornes comme indiqué en détail dans le schéma de câblage. Lorsque l'alimentation est appliquée à l'unité, le son de la phase 1 est émis, selon la sélection choisie sur l'interrupteur DIP à 5 voies l'intérieur de la boîte de raccordement Ex d.
- **Type 4** : Connecter les fils d'alimentation actif et neutre aux bornes comme indiqué en détail dans le schéma de câblage. Lorsque l'alimentation est appliquée initialement à l'unité, aucun son n'est émis. Connecter les fils et les interrupteurs distants aux bornes R0, R1 et R2 comme indiqué. Lorsque l'interrupteur connecté à R1 est fermé, le son de la phase 1 est émis, selon la sélection choisie sur l'interrupteur DIP voies de l'ensemble électronique. Lorsque l'interrupteur connecté à R2 est fermé, c'est le son préselectionné pour la phase 1 qui est émis. Voir la table des sons pour les détails des sons 2 présélectionnés.



Note: Si l'on ferme les deux interrupteurs, aucun son n'est émis.

Ex d & Ex de – Détail du câblage de l'alimentation CC, 3 phases sans contrôle (Types 5 & 6)

Ce type peut être configuré d'un certain nombre de façons différentes selon les exigences. Sélection de tonalité indépendante pour toutes les 3 phases via les 3 commutateurs DIP 5 séquences OFF montés sur l'ensemble électronique :

- **Système à 2 fils (une phase)** : Connecter les fils d'alimentation positif et négatif aux bornes comme indiqué en détail dans le schéma de câblage.
- **Système à 2 fils (deux phases, polarité inversée)** : Connecter les fils d'alimentation positif et négatif aux bornes comme indiqué en détail dans le schéma de câblage. La seconde phase est produite en inversant la polarité de l'alimentation de l'unité.

- **Système à 3 fils (deux phases, point commun +ve)** : Connecter les 3 fils d'alimentation aux bornes comme indiqué en détail dans le schéma de câblage (1 fil commun +ve et 2 fils -ve). La phase 1 est produite lorsque l'alimentation est appliquée entre la borne commune +ve et la borne -ve de la phase 1. La phase 2 est produite lorsque l'alimentation est appliquée entre la borne commune +ve et la borne -ve de la phase 2.
- **Système à 3 fils (deux phases, point commun -ve)** : Connecter les 3 fils d'alimentation aux bornes comme indiqué en détail dans le schéma de câblage (2 fils +ve et 1 fil commun -ve). La phase 1 est produite lorsque l'alimentation est appliquée entre la borne +ve de la phase 1 et la borne commune -ve. La phase 2 est produite lorsque l'alimentation est appliquée entre la borne +ve de la phase 2 et la borne commune -ve.
- **Système à 4 fils (trois phases, point commun -ve)** : Connecter les 4 fils d'alimentation aux bornes comme indiqué en détail dans le schéma de câblage (3 fils +ve et 1 fil commun -ve). La phase 1 est produite lorsque l'alimentation est appliquée entre la borne +ve de la phase 1 et la borne commune -ve. La phase 2 est produite lorsque l'alimentation est appliquée entre la borne +ve de la phase 2 et la borne commune -ve. La phase 3 est produite lorsque l'alimentation est appliquée entre la borne +ve de la phase 3 et la borne commune -ve.

Toutes les versions sont alimentées par des bornes pour permettre les connexions en boucle d'entrée et de sortie des fils d'alimentation.

Remarque : si une résistance EOL est spécifiée sur une unité CC, elle sera montée en standard sur les bornes 5 & 6 dans la boîte de raccordement Exd (voir ci-dessous). Repositionner l'EOL comme requis pour d'autres configurations.

Lors du positionnement de la résistance de fin de ligne (EOL), assurez-vous qu'il y est un espace libre de 14mm entre le corps de la résistance et les terminaux et que la résistance ne soit pas en contact avec le PCB ou le boîtier.

Ex d & Ex de – Détail du câblage de l'alimentation CC, 3 phases sans contrôle (Types 5 & 6)

DB3B CONFIGURATION CC PHASE UNIQUE			DB3B CONFIGURATION CC DEUX PHASES AVEC POLARITÉ INVERSÉE		
	Ex d	Ex de		Ex d	Ex de
PHASE 1 +VE EN ENTRÉE	1	1	PHASE 1 +VE / PHASE 2 -VE EN ENTRÉE	1	1
PHASE 1 -VE EN ENTRÉE	2	2	PHASE 1 -VE / PHASE 2 +VE EN ENTRÉE	2	2
NON UTILISÉ	3	3	NON UTILISÉ	3	3
NON UTILISÉ	4	4	NON UTILISÉ	4	4
PHASE 1 +VE EN SORTIE	5	1	PHASE 1 +VE / PHASE 2 -VE EN SORTIE	5	1
PHASE 1 -VE EN SORTIE	6	2	PHASE 1 -VE / PHASE 2 +VE EN SORTIE	6	2
NON UTILISÉ	7	3	NON UTILISÉ	7	3
NON UTILISÉ	8	4	NON UTILISÉ	8	4

DB3B CONFIGURATION CC POSITIF COMMUN DEUX PHASES			DB3B CONFIGURATION CC NÉGATIF COMMUN DEUX PHASES			DB3B CONFIGURATION CC NÉGATIF COMMUN TROIS PHASES		
	Ex d	Ex de		Ex d	Ex de		Ex d	Ex de
COMMUNE +VE EN ENTRÉE	1	1	PHASE 1 +VE EN ENTRÉE	1	1	PHASE 2 +VE EN ENTRÉE	1	1
PHASE 1 -VE EN ENTRÉE	2	2	COMMUNE -VE EN ENTRÉE	2	2	PHASE 3 +VE EN ENTRÉE	2	2
NON UTILISÉ	3	3	NON UTILISÉ	3	3	PHASE 1 +VE EN ENTRÉE	3	3
PHASE 2 -VE EN ENTRÉE	4	4	PHASE 2 +VE EN ENTRÉE	4	4	COMMUNE -VE EN ENTRÉE	4	4
COMMUNE +VE EN SORTIE	5	1	PHASE 1 +VE EN SORTIE	5	1	PHASE 2 +VE EN SORTIE	5	1
PHASE 1 -VE EN SORTIE	6	2	COMMUNE -VE EN SORTIE	6	2	PHASE 3 +VE EN SORTIE	6	2
NON UTILISÉ	7	3	NON UTILISÉ	7	3	PHASE 1 +VE EN SORTIE	7	3
PHASE 2 -VE EN SORTIE	8	4	PHASE 2 +VE EN SORTIE	8	4	COMMUNE -VE EN SORTIE	8	4

Ex d & Ex de – Alimentation CC, détail de câblage pour +ve commun deux phases avec contrôle (configuration standard) (Types 7 & 8)

Raccorder jusqu'à 4 câbles d'alimentation aux bornes comme illustré en détail dans le schéma de câblage. La phase 1 est produite lorsque l'alimentation est appliquée entre la borne commune +ve et la borne -ve de la phase 1. La phase 2 est produite lorsque l'alimentation est appliquée entre la borne commune +ve et la borne -ve de la phase 2.

La fonctionnalité de contrôle est obtenue lorsque l'alimentation est connectée aux bornes M1 & M2.

Remarque : les bornes contrôlées ne dépendent pas de la polarité

DB3B CONFIGURATION CC POSITIF COMMUN DEUX PHASES AVEC CONTRÔLE		
	Ex d	Ex de
COMMUNE +VE / M1 EN ENTRÉE	1	1
PHASE 1 -VE EN ENTRÉE	2	2
M2 EN ENTRÉE	3	3
PHASE 2 -VE EN ENTRÉE	4	4
COMMUNE +VE / M1 EN SORTIE	5	1
PHASE 1 -VE EN SORTIE	6	2
M2 EN SORTIE	7	3
PHASE 2 -VE EN SORTIE	8	4

FONCTIONALITÉ DE CONTRÔLE UNIQUEMENT DISPONIBLE AVEC RÉSISTANCE MONTÉE

Ex d & Ex de – Détail du câblage de l'alimentation CC, jusqu'à 3 phases avec ou sans contrôle (configuration alternative) (Types 9 & 10)

Remarque : cette configuration alternative doit être spécifiée lors de la commande de l'unité.

Ce type peut être raccordé soit comme une configuration -ve commun trois phases ou, si une résistance EOL facultative est spécifiée, comme un système -ve commun double phase avec contrôle.

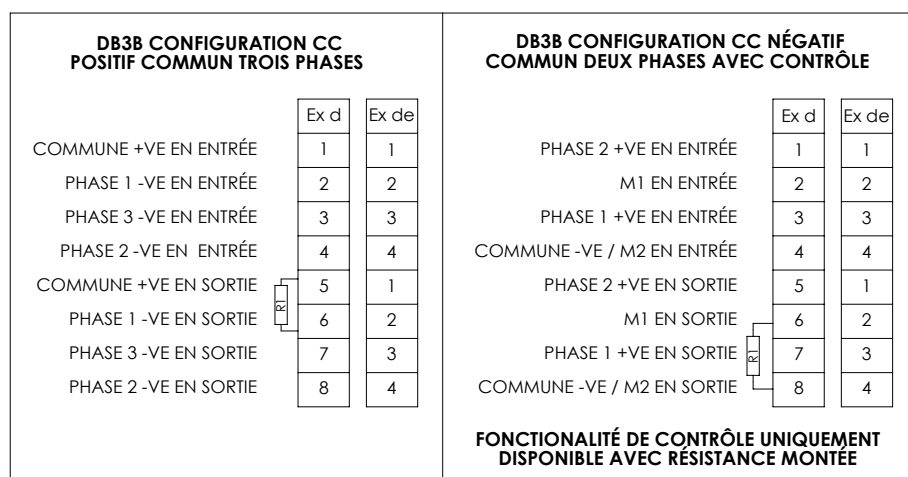
- **Système à 4 fils (trois phases, point commun +ve) :** Connecter les 4 fils d'alimentation aux bornes comme indiqué en détail dans le schéma de câblage (1 fil commun +ve et 3 fils -ve). La phase 1 est produite lorsque l'alimentation est appliquée entre la borne commune +ve et la borne -ve de la phase 1. La phase 2

est produite lorsque l'alimentation est appliquée entre la borne commune +ve et la borne -ve de la phase 2. La phase 3 est produite lorsque l'alimentation est appliquée entre la borne commune +ve et la borne -ve de la phase 3.

- **Système à 4 fils (deux phases, point commun -ve avec contrôle) :** connecter jusqu'à 4 fils d'alimentation aux bornes comme illustré en détails dans le schéma de câblage. La phase 1 est produite lorsque la tension est appliquée aux bornes -ve commun et +ve phase 1. La phase 2 est produite lorsque la tension est appliquée aux bornes -ve commun et +ve phase 2.

La fonctionnalité de contrôle est obtenue lorsque l'alimentation est connectée aux bornes M1 & M2.

Remarque : les bornes contrôlées ne dépendent pas de la polarité

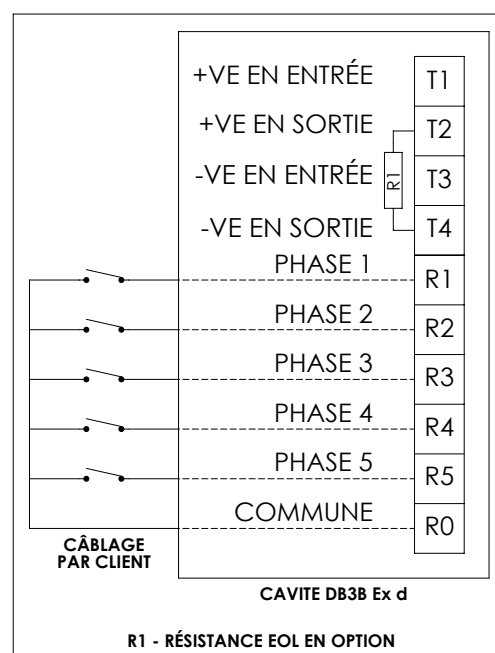


Ex d – Alimentation CC, jusqu'à 5 phases sélectionnables par l'utilisateur avec sélection de phase hors tension avec ou sans contrôle (Type 11)

Connecter les fils d'alimentation positif (+ve) et négatif (-ve) aux bornes comme indiqué en détail dans le schéma de câblage. Lorsque l'alimentation est appliquée initialement à l'unité, aucun son n'est émis. Connecter les fils et les interrupteurs distants aux bornes R0 à R5 comme indiqué. Lorsque l'interrupteur connecté à R1 est fermé, le son de la phase 1 est émis, selon la sélection choisie sur l'interrupteur DIP à 5 voies de l'ensemble électronique. Lorsque l'un quelconque des autres interrupteurs connectés aux bornes R2 à R5 est fermé, c'est le son présélectionné pour les phases 2 à 5 qui est émis. Voir la table des sons 2 pour les détails des sons présélectionnés.

Note: Si l'on ferme plus d'un interrupteur à la fois, aucun son n'est émis.

Si une résistance (R1) est montée, la fonctionnalité de contrôle est obtenue lorsque la polarité de l'alimentation est inversée.



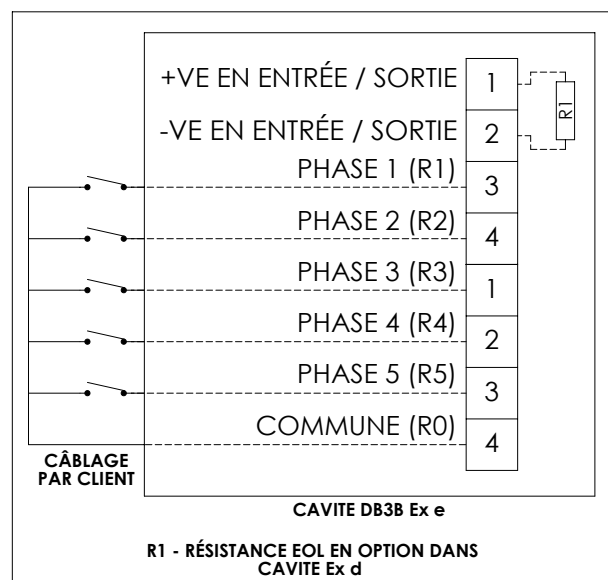
Ex de – Alimentation CC, jusqu'à 5 phases sélectionnables par l'utilisateur avec sélection

de phase hors tension avec ou sans contrôle (Type 12)

Connecter les fils d'alimentation positif (+ve) et négatif (-ve) aux bornes comme indiqué en détail dans le schéma de câblage. Lorsque l'alimentation est appliquée initialement à l'unité, aucun son n'est émis. Connecter les fils et les interrupteurs distants aux bornes R0 à R5 comme indiqué. Lorsque l'interrupteur connecté à R1 est fermé, le son de la phase 1 est émis, selon la sélection choisie sur l'interrupteur DIP à 5 voies de l'ensemble électronique. Lorsque l'un quelconque des autres interrupteurs connectés aux bornes R2 à R5 est fermé, c'est le son présélectionné pour les phases 2 à 5 qui est émis. Voir la table des sons 2 pour les détails des sons présélectionnés.

Note: Si l'on ferme plus d'un interrupteur à la fois, aucun son n'est émis.

Si une résistance (R1) est montée, la fonctionnalité de contrôle est obtenue lorsque la polarité de l'alimentation est inversée.



4.0 Fonctionnement

Le générateur de sons est disponible en diverses versions de tension d'entrée CA et en une seule version de tension d'entrée CC.

Pour les versions CA, la tension nominale de fonctionnement est indiquée sur l'étiquette de l'unité et la tolérance sur la tension d'alimentation est de $\pm 10\%$. Pour les versions CC, la plage des tensions d'entrée absolues va de 11,0 Vcc à 57,6 Vcc.

Dans le cas d'une résistance EOL avec une valeur comprise entre 700 Ω et 2K Ω , la tension maximale devrait être limitée à 28,8 V cc ; dans le cas d'une résistance EOL avec une valeur comprise entre 470 Ω et 700 Ω , la tension maximale devrait être limitée à 26 V cc.

L'unité est équipée d'une commande du volume qui est placée sur la face supérieure de la carte de circuit imprimé de l'ensemble électronique. Le volume maximal est obtenu lorsque cette commande est complètement tournée dans le sens des aiguilles d'une montre. Lorsqu'elle est tournée complètement dans le sens contraire, l'unité n'émet aucun son.

Attention : Ne pas tenter de tourner la commande de volume au-delà des limites de son mouvement car cela pourrait endommager l'unité.

Phases

Pour toutes les versions, un interrupteur DIP à 5 voies sélectionne chaque fois la phase nécessaire. Les réglages correspondant aux phases standards sont indiqués dans la table ci-après :

Table des sons 1 :

Numéro du SON	Fréquence/description du son	Position des interrupteurs 12345	description des sons	SPL nominal (dB(A) à 1m)
1	Phases alt 800/970 Hz à 1/4 s	11111		112
2	Modulation 800/970 Hz à 7 Hz	11110	Modulation rapide (BF)	111
3	Modulation 800/970 Hz à 1 Hz	11101	Modulation moyenne (BF)	113
4	En continu à 2850 Hz	11100		111
5	Modulation 2400-2850 Hz à 7 Hz	11011	Modulation rapide	112
6	Modulation 2400-2850 Hz à 1 Hz	11010		113
7	Son fort et lent	11001	Son fort et lent	113

Numéro du SON	Fréquence/description du son	Position des interrupteurs 12345	description des sons	SPL nominal (dB(A) à 1m)
8	Modulation 1200-500 Hz à 1 Hz	11000	Phase Din	117
9	Phases alt 2400/2850 Hz à 2 Hz	10111		111
10	Phase int de 970 Hz à 1 Hz	10110	Alarme de secours (BF)	112
11	Phases alt 800/970 Hz à 7/8 Hz	10101		112
12	Phase int de 2850 Hz à 1 Hz	10100	Alarme de secours (HF)	112
13	970 Hz pendant 1/4 s et aucun son pendant 1 s	10011		112
14	En continu à 970 Hz	10010		112
15	554 Hz pendant 0,1 s/440 Hz pendant 0.4 s	10001	Alarme d'incendie pour la France	113
16	Int 660 Hz pendant 150 ms, aucun son pendant 150 ms	10000	Alarme d'incendie pour la Suède	108
17	Int 660 Hz pendant 1,8 s, aucun son pendant 1,8 s	01111	Alarme d'incendie pour la Suède	108
18	Int 660 Hz pendant 6,5 s, aucun son pendant 13 s	01110	Alarme d'incendie pour la Suède	109
19	En continu à 660 Hz	01101	Alarme d'incendie pour la Suède	108
20	Alt 554/440 Hz à 1 Hz	01100	Alarme d'incendie pour la Suède	113
21	Int 660 Hz à 7/8 Hz	01011	Alarme d'incendie pour la Suède	108
22	Int 2850 Hz pendant 150 ms, aucun son pendant 100 ms	01010	Traversée pour piétons	111
23	Modulation 800-970 Hz à 50 Hz	01001	Ronfleur basse fréquence	109
24	Modulation 2400-2850 Hz à 50 Hz	01000	Ronfleur haute fréquence	111
25	3 impulsions à 970 Hz 0,5 s sans son, 1,5 s sans son	00111		112
26	3 impulsions à 2850 Hz 0,5 s/0,5 s sans son, 1,5 s sans son	00110		112
27	Int 3100 Hz pendant 0,32 s, aucun son pendant 0,68 s	00101		105
28	En continu à 1400 Hz	00100		125
29	Réserve / Son personnalisé	00011		
30	Réserve / Son personnalisé	00010		
31	Réserve / Son personnalisé	00001		
32	Réserve / Son personnalisé	00000		

Note: Si des sons spéciaux ont été demandés lors de la commande, consulter la liste des sons séparée fournie avec l'unité pour les détails concernant ces sons spéciaux et le réglage correspondant des interrupteurs.

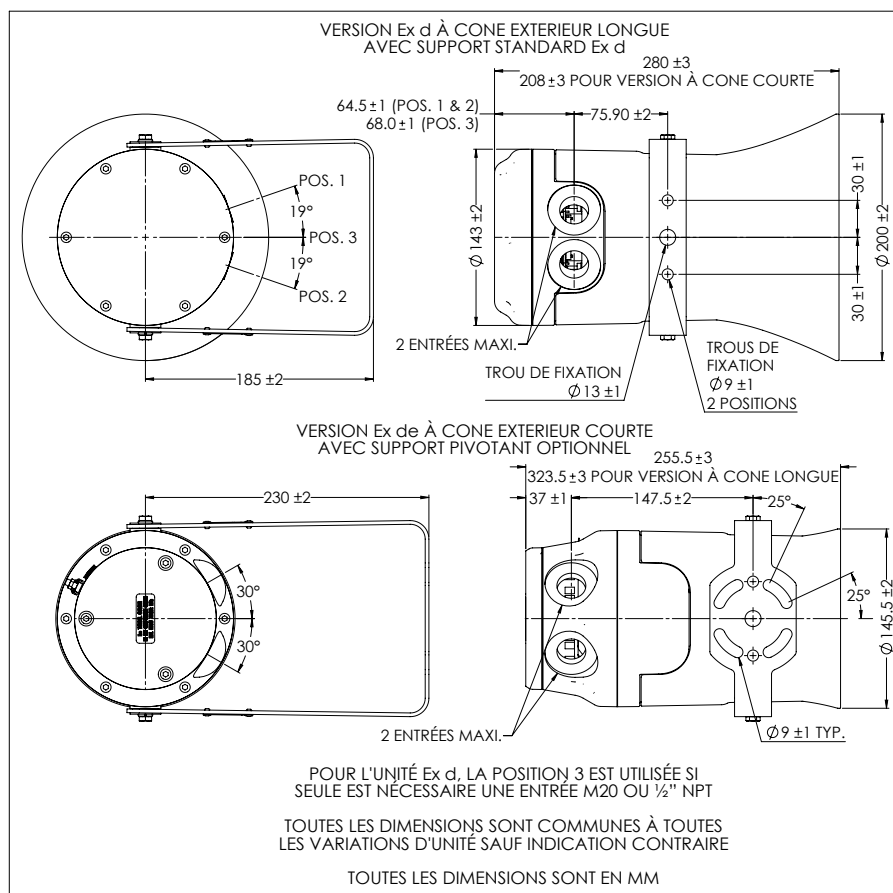
* = sons conformes à la norme EN54-3. Voir section 9 pour les données de sons spécifiques à la norme EN54-3.

Note:

Table des sons 2 : Détails des sons présélectionnés pour les phases d'activation hors tension :

Numéro du SON	Fréquence/description du son	Position des interrupteurs 12345	Sélection de la phase hors tension pour le son n°					CA
			CC	Phase 2	Phase 3	Phase 4	Phase 5	
Phase 1			Phase 2	Phase 3	Phase 4	Phase 5	Phase 2	
1	Sons alt 800/970 Hz à 1/4 s	11111	T14	T10	T11	T8	T14	
2	Modulation 800/970 Hz à 7 Hz	11110	T14	T10	T1	T8	T14	
3	Modulation 800/970 Hz à 1 Hz	11101	T14	T10	T1	T8	T14	
4	En continu à 2850 Hz	11100	T14	T10	T1	T8	T14	
5	Modulation 2400-2850 Hz à 7 Hz	11011	T14	T10	T1	T8	T14	
6	Modulation 2400-2850 Hz à 1 Hz	11010	T14	T10	T1	T8	T14	
7	Son fort et lent	11001	T14	T10	T1	T8	T14	
8	Modulation 1200-500 Hz à 1 Hz	11000	T14	T10	T1	T6	T14	
9	Sons alt 2400/2850 Hz à 2 Hz	10111	T14	T10	T1	T8	T14	
10	Son int de 970 Hz à 1 Hz	10110	T14	T12	T1	T8	T14	
11	Sons alt 800/970 Hz à 7/8 Hz	10101	T14	T10	T1	T8	T14	
12	Son int de 2850 Hz à 1 Hz	10100	T14	T10	T1	T8	T14	
13	970 Hz pendant 1/4 s et aucun son pendant 1 s	10011	T14	T10	T1	T8	T14	
14	En continu à 970 Hz	10010	T28	T10	T1	T8	T28	
15	554 Hz pendant 0,1 s/440 Hz pendant 0,4 s	10001	T14	T10	T1	T8	T14	
16	Int 660 Hz pendant 150 ms, aucun son pendant 150 ms	10000	T14	T10	T1	T8	T14	
17	Int 660 Hz pendant 1,8 s, aucun son pendant 1,8 s	01111	T14	T10	T1	T8	T14	
18	Int 660 Hz pendant 6,5 s, aucun son pendant 13 s	01110	T14	T10	T1	T8	T14	
19	En continu à 660 Hz	01101	T14	T10	T1	T8	T14	
20	Alt 554/440 Hz à 1 Hz	01100	T14	T10	T1	T8	T14	
21	Int 660 Hz à 7/8 Hz	01011	T14	T10	T1	T8	T14	
22	Int 2850 Hz pendant 150 ms, aucun son pendant 100 ms	01010	T14	T10	T1	T8	T14	
23	Modulation 800-970 Hz à 50 Hz	01001	T14	T10	T1	T8	T14	
24	Modulation 2400-2850 Hz à 50 Hz	01000	T14	T10	T1	T8	T14	
25	3 impulsions à 970 Hz 0,5 s sans son, 1,5 s sans son	00111	T14	T10	T1	T8	T14	
26	3 impulsions à 2850 Hz 0,5 s/0,5 s sans son, 1,5 s sans son	00110	T14	T10	T1	T8	T14	
27	Int 3100 Hz pendant 0,32 s, aucun son pendant 0,68 s	00101	T14	T10	T1	T8	T14	
28	En continu à 1400 Hz	00100	T14	T10	T1	T8	T14	
29	Réserve/Son personnalisé	00011						
30	Réserve/Son personnalisé	00010						
31	Réserve/Son personnalisé	00001						
32	Réserve/Son personnalisé	00000						

Disposition générale

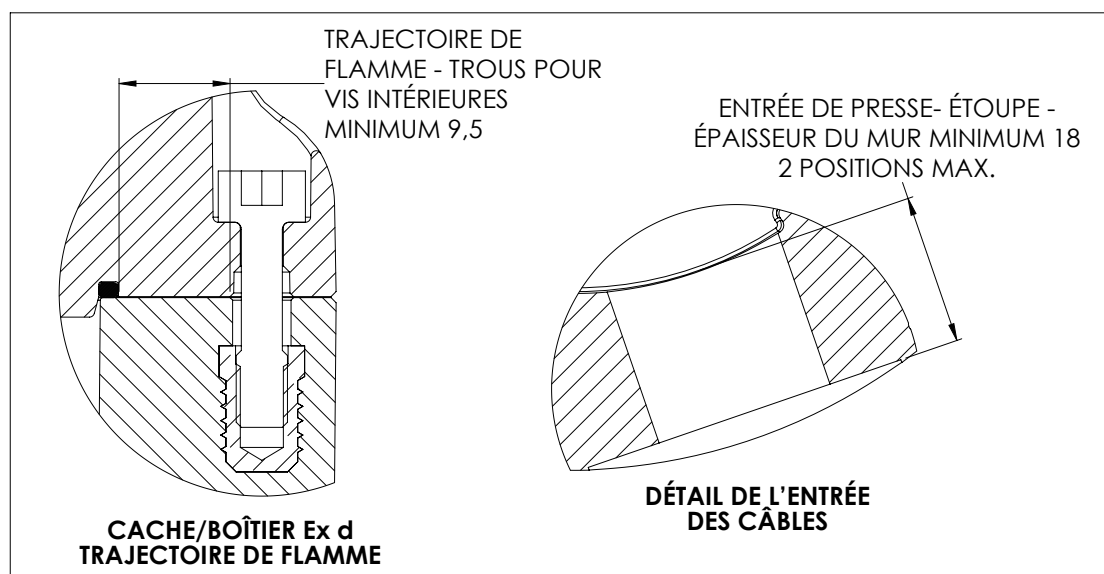


5.0 Entretien

L'unité ne devrait nécessiter que peu ou pas d'entretien au cours de sa durée de vie. GRP résiste à l'attaque de la plupart des acides, des bases et des produits chimiques, ainsi qu'aux acides et produits alcalins concentrés comme la plupart des produits métalliques.

Cependant, dans l'éventualité de conditions environnementales anormales ou inhabituelles dues à des dommages subis en usine ou à un accident, etc., une inspection visuelle est recommandée.

Voir le schéma ci-dessous pour le détail des raccords antidéflagrants placés dans l'appareil. **AVERTISSEMENT !** – Les raccords antidéflagrants détaillés ci-dessous ne sont pas destinés à être réparés.



Si l'unité doit être nettoyée, ne nettoyer que l'extérieur avec un chiffon humide pour éviter l'accumulation d'une charge électrostatique.

Dans l'éventualité d'une défaillance de l'unité, MEDC peut la réparer.

En cas d'acquisition d'un nombre important d'unités, il est recommandé de prévoir également des pièces détachées. Merci de discuter de vos besoins spécifiques avec les ingénieurs technico-commerciaux de MEDC.

6.0 Certification/approbations

Unités IECEx

Unités certifiées pour les gaz (G)

Certification selon les normes IEC60079-0, IEC60079-1 et IEC60079-7

Unité Ex d IIC (Certification IEC n° IECEx BAS 13.0112X)
Ex db IIC T_G (T_{amb.}) Gb

Unité Ex de IIC (Certification IEC n° IECEx BAS 13.0114X)
Ex db eb IIC T_G (T_{amb.}) Gb

Voir les conditions spéciales pour une utilisation sûre en fonction des gammes de températures ambiantes et des températures nominales.

Le certificat et l'étiquette du produit IECEx portent la marque IECEx du niveau de protection de l'équipement :

Gb

Où Gb signifie adaptation à l'utilisation dans la zone industrielle de surface en Zone 1 en présence de gaz.

Unités certifiées pour gaz et poussière (GD)

Certification selon les normes IEC60079-0, IEC60079-1, IEC60079-7 et IEC60079-31

Unité Ex d IIIC (Certification IEC n° IECEx BAS 13.0113X)
Ex db IIC T_G (T_{amb.}) Gb
Ex tb IIIC T_D (T_{amb.}) Db IP6X

Unité Ex de IIIC (Certification IEC n° IECEx BAS 13.0115X)
Ex db eb IIC T_G (T_{amb.}) Gb
Ex tb IIIC T_D (T_{amb.}) Db IP65/66*

* selon le type de cône extérieure (pavillon courte - IP65, pavillon longue - IP66)

Voir les conditions spéciales pour une utilisation sûre en fonction des gammes de températures ambiantes et des températures nominales.

Le certificat et l'étiquette du produit IECEx portent la marque IECEx du niveau de protection de l'équipement.

Gb et Db

Où Gb signifie adaptation à l'utilisation dans la zone industrielle de surface en Zone 1 en présence de gaz.

Db signifie adaptation à l'utilisation dans la zone industrielle de surface en Zone 21 en présence de poussière.

Unités ATEX

Unités certifiées pour les gaz (G)


Certification selon les normes EN60079-0, EN60079-1 et EN60079-7

Unité Ex d IIC (certification ATEX n° Baseefa13ATEX0229X)
Ex db IIC T_G (T_{amb.}) Gb


Unité Ex de IIC (certification ATEX n° Baseefa13ATEX0232X)
Ex db eb IIC T_G (T_{amb.}) Gb

Voir les conditions spéciales pour une utilisation sûre en fonction des gammes de températures ambiantes et des températures nominales.

Le certificat et l'étiquette du produit ATEX portent le marquage du groupe et de la catégorie ATEX :

 II 2 G

Où :

 Signifie conformité ATEX
II Signifie adaptation à l'utilisation dans les industries en surface
2 Signifie adaptation à l'utilisation en Zone 1
G Signifie adaptation à l'utilisation en présence de gaz

Unités certifiées pour gaz et poussière (GD)

Certification selon les normes EN60079-0, EN60079-1, EN60079-7 et EN60079-31

Unité Ex d IIIC (certification ATEX n° Baseefa 13ATEX0231X)
Ex db IIC T_G (T_{amb.}) Gb
Ex tb IIIC T_D (T_{amb.}) Db IP6X

Unité Ex de IIIC (certification ATEX n° Baseefa 13ATEX0233X)
Ex db eb IIC T_G (T_{amb.}) Gb
Ex tb IIIC T_D (T_{amb.}) Db IP65/66*


* selon le type de cône extérieure (pavillon courte - IP65, pavillon longue - IP66)

Voir les conditions spéciales pour une utilisation sûre en fonction des gammes de températures ambiantes et des températures nominales.

Le certificat et l'étiquette du produit ATEX portent le marquage du groupe et de la catégorie ATEX :

 II 2 GD

Où :

 Signifie conformité ATEX
II Signifie adaptation à l'utilisation dans les industries en surface
2 Signifie adaptation à l'utilisation en Zone 1
G Signifie adaptation à l'utilisation en présence de gaz
D Signifie adaptation à l'utilisation en présence de poussière

Ces unités bénéficient également des approbations suivantes :

Norme sur l'homologation : boîtes de raccordement Ex d et Ex e - IP66 et IP67 selon la norme IEC60529

EN54-3 Dispositif d'alarme incendie - Générateur de sons (11-57,6 V CC absolus)

Environnement de type B pour applications en plein air

Température ambiante de -25 °C à +70 °C

Code IP (IP33C) pour BS EN 60529:1992



Cela signifie que l'unité ainsi que le nom et le numéro de l'organisme notifié qui a délivré le certificat de conformité sont conformes aux réglementations européennes en vigueur, dans ce cas, le règlement n° 305/2011.

7.0 Conditions spéciales pour utilisation sécurisée

a) Ex d type DB3B :

IECEX BAS 13.0112X, IECEX BAS 13.0113X, Baseefa 13ATEX0229X et Baseefa 13ATEX0231X

- Lors des remplacements nécessaires, utiliser des vis de fixation en acier inoxydable type A2-70 ou plus résistant pour le couvercle.
- Les peintures et les finitions des surfaces, autres que celles du fabricant, ne sont pas autorisées.
- Lorsque l'unité est utilisée dans des atmosphères poussiéreuses (unités GD uniquement), les entrées de câble doivent être étanchéifiées pour garantir l'homologation IP6X, conformément aux codes et aux normes d'installation applicables.
- Cet appareil ne doit être utilisé qu'aux températures ambiantes de la façon suivante:

À puissance maximale	T _{amb.}	T _G	T _D
15 W	-55°C à +85°C	T4	T135°C
	-55°C à +55°C	T5	T100°C
	-55°C à +40°C	T6	T85°C

b) Ex de type DB3B :

IECEX BAS 13.0114X, IECEX BAS 13.0115X, Baseefa 13ATEX0232X et Baseefa13ATEX0233X

- Lors des remplacements nécessaires, utiliser des vis de fixation en acier inoxydable type A2-70 ou plus résistant pour le couvercle.
- Les peintures et les finitions des surfaces, autres que celles du fabricant, ne sont pas autorisées.

- Pas plus d'un câble à un seul brin ou à plusieurs brins ne doit être raccordé à l'une ou l'autre des extrémités des bornes, à moins que de multiples conducteurs ne soient reliés de façon appropriée, par ex. deux conducteurs dans un seul embout d'extrémité lié et isolé.
- Les câbles raccordés aux bornes doivent être isolés pour une tension d'au moins 275 V et cette isolation doit être étendue à 1 mm du métal du col de la borne.
- Les lignes de fuite et les distances d'isolement minimales entre les bornes et les éléments conducteurs adjacents (y compris les dispositifs d'entrée de câbles) doivent être d'au moins 6 mm.
- Toutes les vis des bornes, utilisées ou non, doivent être serrées à fond.
- Lorsque l'unité est utilisée dans des atmosphères poussiéreuses (unités GD uniquement), les entrées de câble doivent être étanchéifiées pour garantir l'homologation IP6X, conformément aux codes et aux normes d'installation applicables.
- S'il est utilisé, le matériau de mise à la terre en option interne doit être anticorrosif.
- Cet appareil ne doit être utilisé qu'aux températures ambiantes de la façon suivante:

À puissance maximale	T _{amb.}	T _G	T _D
15 W	-50°C à +85°C	T4	T135°C
	-50°C à +55°C	T5	T100°C
	-50°C à +40°C	T6	T85°C

8.0 Sécurité fonctionnelle

Introduction

Le générateur de sons DB3B a été conçu pour être utilisé dans des atmosphères potentiellement explosives et des conditions environnementales sévères. Les boîtiers en polyester renforcé de fibres de verre sont adaptés à une utilisation off-shore ou on-shore, où un poids léger et un haut niveau de résistance à la corrosion sont nécessaires.

La fonction de sécurité du générateur de sons consiste à fournir un avertissement sonore prédéterminé lorsque nécessaire, si la tension correcte est appliquée à l'unité. La version CC du générateur de sons est conçue pour fonctionner à une tension d'alimentation entre 12-48 Vcc.

Dans des conditions de fonctionnement sans défaillance (normales), le générateur de sons DB3B émet un avertissement sonore sur demande du système.

En cas de panne/défaillance, le mode de panne du générateur de sons est indiqué par l'échec de l'émission de l'avertissement sonore. Pour de plus amples détails sur le taux d'échec/défaillance associé à ce mode de panne, voir le tableau ci-dessous.

Évaluation de sécurité fonctionnelle

Le générateur de sons est destiné à être utilisé dans un système de sécurité conforme aux exigences IEC61508.

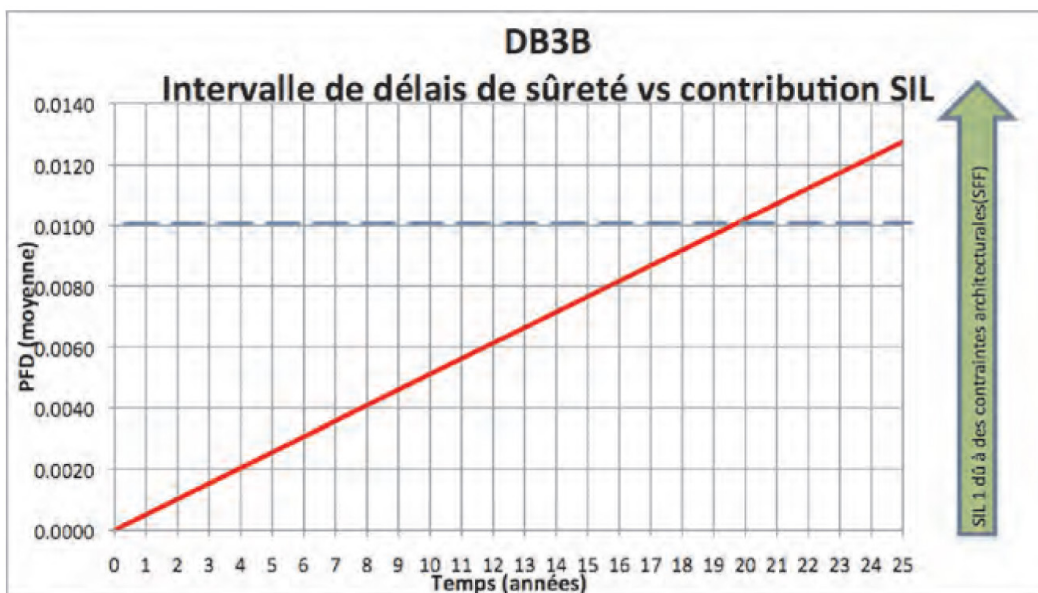
UL a procédé à une étude «Effet des modes de panne et analyse du diagnostic!» (Failure Modes Effect and Diagnostic Analysis : FMEDA) sur le générateur de sons DB3B par rapport aux exigences IEC 61508-2, avec un intervalle entre essais de sûreté de 8760 heures.

Les résultats sont présentés ci-dessous et sont basés sur la Route 1_H.

Le générateur de sons a été classé comme appareil de type B.

Générateur de sons DB3B

Fonction de sécurité du générateur de sons DB3B : <i>Fournir un avertissement sonore pré-décrit lorsque nécessaire'</i>			
Résumé des clauses 2/7.4.2 and 2/7.4.4	Générateur de sons DB3B Mode simple (1oo1)	Générateur de sons DB3B Mode redondant (1oo2)	Verdict
Contraintes architecturales Fraction à épreuve de panne (Safe Failure Fraction ou SFF)	HFT=0 65,9 %	HFT=1 65,9%	Type B SIL 1(1oo1) SIL 2 (1oo2)
Défaillances de matériel aléatoires: [h ⁻¹]	λ_{DD} λ_{DU} 6,5E+09 1,16E-07	6,5E+10 1,16E-08	
Défaillances de matériel aléatoires: [h ⁻¹]	λ_{SD} λ_{SU} 0,00E+00 2,18E-07	0,00E+00 2,18E-08	
PFD à PTI = 8760 heures MTTR (moyenne des temps techniques de réparation) = 8 heures	5,09E-04	5,09E-05	SIL 3(1oo1)
Fréquence moyenne de défaillance dangereuse (Demande élevée - PFH) [h ⁻¹]	1,16E-07	1,16E-08	SIL 2(1 oo1)
Conformité d'intégrité de sécurité du matériel		Route 1 _H	
Conformité d'intégrité de sécurité systématique		Route 1 _S	
Capacité systématique (SC1, SC2, SC3, SC4)		SC2	
Intégrité de sécurité du matériel réalisée	Limitée à: SIL 1 (1oo1) et SIL 2 (1oo2) en raison de la valeur SFF.		



Conditions d'utilisation sécurisée

Les conditions suivantes s'appliquent à l'installation, au fonctionnement et à l'entretien de l'équipement évalué. Le non-respect de ces conditions peut compromettre l'intégrité de sécurité de l'équipement évalué:

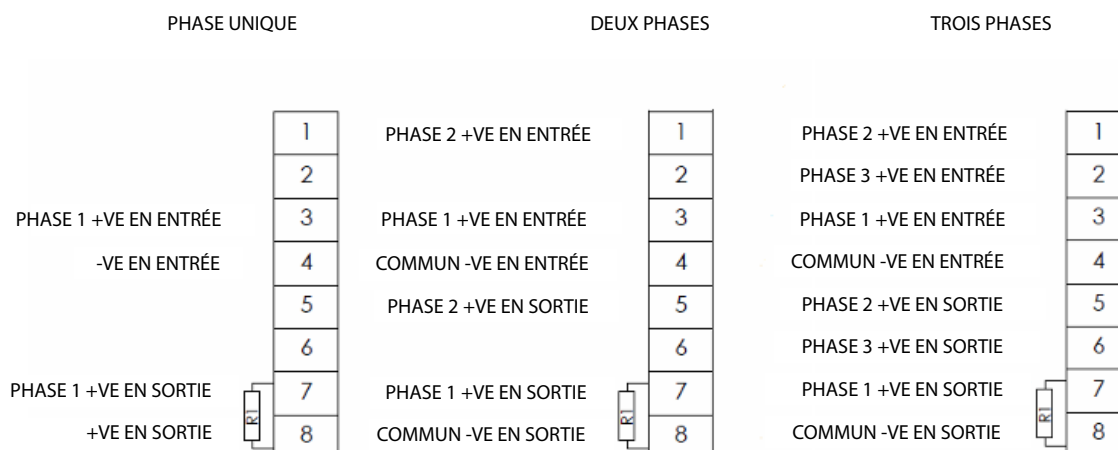
1. L'utilisateur est tenu de se conformer aux exigences énoncées dans la documentation utilisateur fournie par le fabricant (ce Manuel de sécurité et Manuel technique) concernant tous les aspects appropriés de fonctionnement sécurisé, tels que les applications d'utilisation, l'installation, le fonctionnement, l'entretien, les essais de sûreté, les taux maximum, les conditions environnementales, les réparations, etc.
2. Le choix de cet équipement en vue d'une utilisation de ses fonctions de sécurité, ainsi que son installation, sa configuration, sa validation globale, son entretien et toutes réparations, ne doit être effectué que par du personnel compétent dans le respect des conditions et recommandations émises par le fabricant dans la documentation utilisateur.
3. Toutes les informations relatives à une quelconque défaillance de fonctionnement de ce produit doivent être collectées dans le cadre d'un processus de gestion de la fiabilité (par ex.: IEC 60300-3-2) et transmises au fabricant.

4. L'unité doit être testée à intervalles réguliers afin d'identifier tout dysfonctionnement, conformément à ce manuel de sécurité.
5. Si le produit est utilisé dans une installation redondante, le niveau d'intégrité de sécurité du matériel et d'intégrité de sécurité systématique conforme à SIL 2 peut être atteint. L'installation doit garantir une protection suffisante contre les défaillances d'origine commune et assurer l'indépendance par rapport aux défaillances en cascade.

9.0 Produit certifié EN54-3

Configuration du câblage

La version certifiée EN54-3 peut être connectée pour une seule phase uniquement (2 fils), deux phases à négatif commun seulement (3 fils), ou trois phases à négatif commun (4 fils) dans les configurations indiquées ci-dessous.



Données de sons conformes à la norme EN54-3

	Angle	Volume minimum dB(A)			
		Plan horizontal		Plan vertical	
		58 V max.	11 V min.	58 V max.	11 V min.
SON 3	15°	97,9	96,7	97,9	98,5
	45°	102,2	100,7	101,2	99,6
	75°	110,2	109,2	110,0	108,9
	105°	110,2	109,3	110,6	109,5
	135°	103,4	102,0	104,8	103,3
	165°	98,4	97,4	99,6	98,5
SON 7	15°	98,0	96,7	97,7	96,5
	45°	104,1	102,3	103,8	102,1
	75°	110,1	108,9	109,9	108,7
	105°	110,1	108,9	110,4	109,3
	135°	103,6	101,9	104,8	103,2
	165°	98,2	96,7	99,5	98,3
SON 8	15°	98,3	97,2	97,2	96,1
	45°	104,7	103,5	104,7	103,5
	75°	109,2	108,2	108,9	107,9
	105°	109,1	108,1	109,5	108,5
	135°	103,3	101,9	103,8	102,5
	165°	97,5	96,4	98,7	97,7
SON 15	15°	94,9	93,3	94,4	92,7
	45°	100,7	99,1	100,1	98,4
	75°	103,6	102,0	103,0	101,3
	105°	103,2	101,6	103,8	101,9
	135°	99,1	97,5	100,0	98,3
	165°	94,6	93,0	95,3	93,5
SON 19	15°	99,0	98,2	98,5	97,6
	45°	98,4	97,6	93,6	92,7
	75°	110,9	110,1	110,2	109,2
	105°	110,7	110,0	110,5	109,6
	135°	102,3	101,5	103,6	102,6
	165°	98,4	97,7	99,8	98,8
SON 20	15°	95,0	93,3	94,9	93,4
	45°	101,5	99,8	101,9	100,5
	75°	104,2	102,4	103,4	102,0
	105°	104,4	102,6	105,1	103,6
	135°	99,2	97,5	99,8	98,3
	165°	96,1	94,4	96,9	95,5

Contents

1.0 EINFÜHRUNG	30
2.0 ALLGEMEINE SICHERHEITS – UND WARNHINWEISE	30
3.0 INSTALLATION	31
Zugang zu den anschlüssen	31
Einzelheiten des anschlusses	31
Ex d – Wechselstromeingang, einzelheiten des anschlusses (Typen 1 und 2)	31
Ex de – Wechselstromeingang, einzelheiten des anschlusses (Typen 3 und 4)	32
Ex d und Ex de – Gleichstromeingang, 3 phasen ohne überwachung, einzelheiten des anschlusses (Typen 5 und 6)	32
Ex d und Ex de – Gleichstromeingang, zweiphasig, gemeinsamer pluspol mit überwachung (Standardkonfiguration), einzelheiten des anschlusses (Typen 7 und 8)	33
Ex d und Ex de – Gleichstromeingang, bis zu 3 phasen mit oder ohne überwachung (alternative konfiguration), einzelheiten des anschlusses (Typen 9 und 10)	34
Ex d – Gleichstromeingang, 5 vom betreiber wählbare phasen mit spannungsfreier phasenauswahl mit oder ohne überwachung (Typ 11)	34
Ex de – Gleichstromeingang, 5 vom betreiber wählbare phasen mit spannungsfreier phasenauswahl mit oder ohne überwachung (Type 12)	35
4.0 BETRIEB	35
5.0 WARTUNG	38
6.0 ZERTIFIZIERUNGEN/GENEHMIGUNGEN	39
IECEx-Geräte	39
Gas (G)-zertifizierte geräte	39
Gas- und Staub (GD)-zertifizierte Geräte	39
ATEX-Geräte	39
Gas (G)-zertifizierte geräte	39
Gas- und staub (GD)-zertifizierte geräte	39
Diese geräte haben außerdem die folgenden zulassungen	40
7.0 SONDERBEDINGUNGEN FÜR SICHEREN EINSATZ	40
8.0 FUNKTIONALE SICHERHEIT	40
Einführung	40
Bewertung der funktionalen sicherheit	41
Bedingungen für einen sicheren betrieb	42
9.0 EN54-3	42

1.0 Einführung

Diese Schallgeber-Produktgruppe wurde für die Verwendung in explosionsgefährdeten Staub- und Gasbereichen entwickelt und ist in unterschiedlichen Varianten erhältlich, die für den Gebrauch in folgenden Gas-/Staubgruppen geeignet sind:

Dieses Sortiment ist in Varianten erhältlich, die entweder in Gas (G)- oder Gas und Staub (GD)-Gruppen verwendet werden können.

Hinweis: (G)-Geräte haben eine 6 dB höhere Nennleistung als (GD)-Geräte.

Das Ex-Gehäuse besteht aus UV-beständigem, glasverstärktem Polyester mit einem robusten, thermoplastischen Trichter. Die verarbeitete Edelstahl-Befestigungsklammer und die verwendeten Abdeckschrauben und Befestigungselemente gewährleisten ein vollständig korrosionsfreies Produkt.

Eine optionale Ex e-Anschlusskammer ist erhältlich (weitere Einzelheiten finden Sie im Zertifizierungsabschnitt).


Für die Verwendung in nicht-explosionsgefährdeten Umgebungen ist eine nicht-zertifizierte Version erhältlich.

2.0 Allgemeine sicherheits – und warnhinweise

Damit eine sichere Installation des Geräts gewährleistet werden kann, sind alle Anweisungen und Sicherheitshinweise in dieser Bedienungsanleitung zu befolgen. Das Gerät darf nur von entsprechend geschulten Mitarbeitern/Installateuren installiert und gewartet werden.

- I. Um Funkenschlag in gefährlichen Atmosphären und Stromschläge zu vermeiden, darf das Gerät erst dann an die Stromversorgung angeschlossen werden, wenn die Installation abgeschlossen und das Gerät vollständig abgedichtet und gesichert ist.
- II. Um Funkenschlag in gefährlichen Atmosphären und Stromschläge zu vermeiden, muss das Gerät bei eingeschalteter Stromzufuhr fest verschlossen sein.
- III. Stellen Sie sicher, dass die Stromversorgung zum Gerät abgetrennt wurde, bevor Sie den Deckel zur Installation oder Wartung entfernen.
- IV. Prüfen Sie das Gerät nach der Installation auf ordnungsgemäßen Betrieb.
- V. Sorgen Sie dafür, dass nach der Installation alle

Mitarbeiter, die dieses Gerät bedienen, eine Ausgabe dieser Bedienungsanleitung erhalten.

- VI. Bei Installation des Geräts sind die Bestimmungen zur Auswahl, Installation und zum Betrieb zu beachten, wie z. B. IEE-Bestimmungen zur Verkabelung und der 'National Electrical Code' in Nordamerika. Zudem müssen mögliche zusätzliche nationale und/oder örtliche Bestimmungen beachtet werden.
- VII. Der Kabelabschluss muss gemäß den technischen Daten, die für die vorgesehene Verwendung gelten, durchgeführt werden. MEDC empfiehlt, alle Kabel und Pole korrekt zu kennzeichnen. Siehe Schaltplan in dieser Bedienungsanleitung (bzw. den dem Gerät beigefügten, separaten Schaltplan).
- VIII. Achten Sie darauf, dass nur die korrekten gelisteten oder zugelassenen Kabeldurchführungen verwendet werden und dass die Baugruppe ummantelt und korrekt geerdet ist.
- IX. Achten Sie darauf, ausschließlich die korrekten, gelisteten oder zugelassenen Verschlussstopfen zur Abdeckung nicht verwendeter Durchführungseingänge zu verwenden und dass die NEMA/IP-Klasse des Geräts beibehalten wird.
- X. Zur Beibehaltung der IP-Klasse des Geräts empfiehlt MEDC die Verwendung eines Dichtungsmittels wie z. B. HYLOMAR PL32 an allen Durchführungseingängen und Verschlussstopfen.
- XI. Bei Ex de-Geräten muss eine geeignete Dichtungsscheibe auf alle Verschraubungen und Verschlussstopfen in die Ex e-Verschaltung eingesetzt werden.
- XII. Der Endbenutzer oder Installateur muss sicherstellen, dass dieses Gerät vor äußeren Einflüssen geschützt ist, die den Explosionsschutz beeinträchtigen könnten, oder sich an den Hersteller wenden, wenn er Zweifel an der Eignung dieses Geräts in der Umgebung hat, in der es installiert werden soll.
- XIII. **Ex d Geräte**
Der interne Erdanschluss  muss bei Bedarf für die Schutzerdung verwendet werden. Entfernen Sie das interne Erdungsband nicht vom Erdanschluss wenn montiert.
Für Geräte mit metrischen Einführungen: der unterbrechungslose Stromverlauf zwischen Einführungsstutzen und Erdung wird über eine optionale externe Erderplatte erreicht. Wird eine

externe Platte montiert, muss eine.

Gewindedichtungsmasse wie etwa HYLOMAR PL32 verwendet werden, um die Schutzart des Gerätes aufrechtzuerhalten.

Ex d e Geräte

Die interne/externe Erdschraube muss bei Bedarf für die Geräte-Erdung verwendet werden. Wird die optionale innere Erderplatte montiert, ist der unterbrechungslose Stromverlauf am Einführungsstutzen sichergestellt.

- XIV. MEDC empfiehlt die Verwendung von Edelstahlbefestigungen bei der Installation des Geräts. Achten Sie auf den sicheren und festen Sitz aller Muttern, Schrauben und Befestigungen.
- XV. Das Gerät muss so platziert werden, dass weder Schmutz, Staub noch Wasser in den konkaven Trichter gelangen können.
- XVI. Der Schallgeber sollte so platziert werden, dass feste Objekte, die nicht zur Ausrüstung gehören, mindestens 40 mm vom Ex d-Flammenspalt entfernt stehen.
- XVII. Der Käufer sollte den Hersteller auf eventuelle externe Effekte oder aggressive Substanzen hinweisen, denen das Gerät ausgesetzt sein könnte.

3.0 Installation

Das Gerät wird mit 2 stromlosen Befestigungsbohrungen mit \varnothing 9 mm im U-förmigen Bügel/in der Halterung befestigt. Falls erforderlich, kann das Gerät zunächst durch die zentrale Bohrung mit \varnothing 13 mm in den Bügel eingesetzt werden. Anschließend kann es in die gewünschte Position gedreht und dann mithilfe der anderen Bohrungen fixiert werden.

Zusammen mit dem Gerät kann eine schwenkbare Befestigungsklammer bestellt werden, um weitere Dreheinstellungen zu ermöglichen.

Die Befestigungsbohrungen sind geeignet für M8-Schrauben bzw. -Bolzen.

Zugang zu den anschlüssen

Bei Ex d-Versionen wird der Deckel mit 6 stromlosen M5-Deckelschrauben gesichert (Innensechskantschlüssel mit 4,0 mm Schraubenweite). Nachdem die Deckelbefestigungen gelöst wurden, kann dieser von der Verschalung entfernt werden, um auf den Innenraum zugreifen zu können. Die Deckelschrauben sind unverlierbar und sollten im Deckel zurückbleiben.

Bei Ex de-Versionen wird der abnehmbare Deckel mit 3 stromlosen M5-Deckelschrauben gesichert (Innensechskantschlüssel mit 4,0 mm Schraubenweite). Nachdem die Deckelbefestigungen gelöst wurden, kann dieser von der Verschalung entfernt werden, um auf den Innenraum zugreifen zu können. Die Deckelschrauben sind unverlierbar und sollten im Deckel zurückbleiben. Alle Anschlussschrauben müssen fest angezogen werden, ob sie genutzt werden oder nicht.

Sobald der Anschlussvorgang abgeschlossen ist, setzen

Sie den Deckel wieder vorsichtig auf das Gehäuse und achten Sie darauf, die Passflächen nicht zu beschädigen. Ziehen Sie die Deckelschrauben gleichmäßig fest. Stellen Sie bei zertifizierten Ex de-Versionen sicher, dass der, im Ex e-Deckel vermerkte, höchste Drehmomentwert für die Deckelschrauben nicht überschritten wird. Achten Sie beim Wiedereinbau darauf, dass der O-Ring korrekt auf dem Deckel liegt. Stellen Sie bei zertifizierten Ex d-Versionen sicher, dass der vorgeschriebene Spalt zwischen dem Deckel und der Basis nach dem Zusammenbau höchstens 0,04 mm beträgt.

Einzelheiten des anschlusses

Das Gerät ist in einer Reihe von Basiskonfigurationen erhältlich, siehe unten. Im Abschnitt 9 sind spezifische Konfigurationen gemäß EN54-3 zu finden.

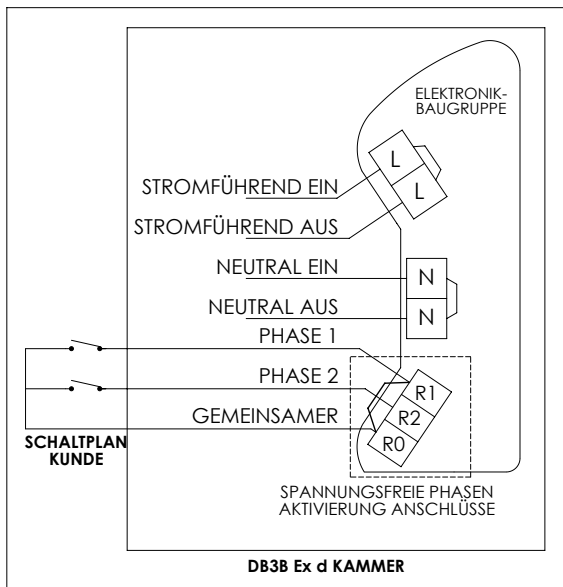
1. Ex d – Wechselstromeingang, einphasig.
2. Ex d – Wechselstromeingang, zweiphasig mit spannungsfreier Phasenauswahl.
3. Ex de – Wechselstromeingang, einphasig
4. Ex de – Wechselstromeingang, zweiphasig mit spannungsfreier Phasenauswahl.
5. Ex d - Gleichstromeingang, bis zu 3 vom Betreiber wählbare Phasen ohne Überwachung.
6. Ex de - Gleichstromeingang, bis zu 3 vom Betreiber wählbare Phasen ohne Überwachung.
7. Ex d - Gleichstromeingang, bis zu 2 vom Betreiber wählbare Phasen mit EOL-Widerstand/Überwachung (Standardkonfiguration).
8. Ex d - Gleichstromeingang, bis zu 2 vom Betreiber wählbare Phasen mit EOL-Widerstand/Überwachung (Standardkonfiguration).
9. Ex de - Gleichstromeingang, bis zu 3 vom Betreiber wählbare Phasen mit optionalem EOL-Widerstand/Überwachung (alternative Konfiguration).
10. Ex de - Gleichstromeingang, bis zu 3 vom Betreiber wählbare Phasen mit optionalem EOL-Widerstand/Überwachung (Alternative Konfiguration).
11. Ex de - Gleichstromeingang, 5 vom Betreiber wählbare Phasen mit spannungsfreier Phasenauswahl mit oder ohne Überwachung.
12. Ex d - Gleichstromeingang, 5 vom Betreiber wählbare Phasen mit spannungsfreier Phasenauswahl mit oder ohne Überwachung.

Ex d – Wechselstromeingang, einzelheiten des anschlusses (Typen 1 und 2)

- **Typ 1:** Schließen Sie die stromführenden und neutralen Versorgungsleitungen gemäß dem Schaltbild an die Anschlüsse an. Das Gerät wird bei einer befestigten Verbindung von R1 und R0 mit Strom versorgt. Wird dem Gerät Strom zugeführt, ertönt der Phase 1-Ton entsprechend der Auswahl auf dem 5-Wege-DIP-Schalter.
- **Typ 2:** Schließen Sie die stromführenden und neutralen Versorgungsleitungen gemäß dem Schaltbild an die Anschlüsse an. Das Gerät wird mit Strom versorgt ohne dass eine Verknüpfung von R1 und R0 besteht. Verbinden Sie die Leitungen und Fernschalter gemäß

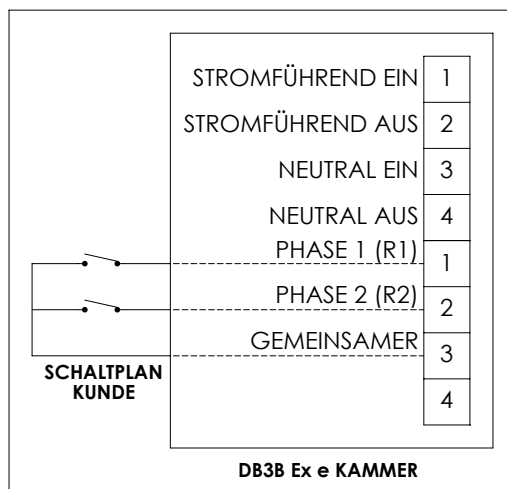
der Abbildung mit den Anschlüssen R0, R1 und R2. Wenn das Gerät das erste Mal mit Strom versorgt wird, wird kein Ton produziert. Wird der mit R1 verbundene Schalter geschlossen, ertönt der Phase 1-Ton entsprechend der Auswahl mit dem 5-Wege-DIP-Schalter an der Elektronikbaugruppe. Wird der mit R2 verbundene Schalter geschlossen, ertönt der vorausgewählte Ton für Phase 2. Vorausgewählte Töne finden Sie in der Ton-Tabelle 2.

Hinweis: Werden beide Schalter geschlossen, entsteht kein Ton.



Ex de – Wechselstromeingang, einzelheiten des anschlusses (Typen 3 und 4)

- **Typ 3:** Schließen Sie die stromführenden und neutralen Versorgungsleitungen gemäß dem Schaltbild an die Anschlüsse an. Wird dem Gerät Strom zugeführt, ertönt der Phase 1-Ton entsprechend der Auswahl mit dem 5-Wege-DIP-Schalter in der Ex d-Kammer.
- **Typ 4:** Schließen Sie die stromführenden und neutralen Versorgungsleitungen gemäß dem Schaltbild an die Anschlüsse an. Wenn das Gerät das erste Mal mit Strom versorgt wird, wird kein Ton produziert. Verbinden Sie die Leitungen und Fernschalter gemäß der Abbildung mit den Anschlüssen R0, R1 und R2. Wird der mit R1 verbundene Schalter geschlossen, ertönt der Phase 1-Ton entsprechend der Auswahl mit dem 5-Wege-DIP-Schalter an der Elektronikbaugruppe. Wird der mit R2 verbundene Schalter geschlossen, ertönt der vorausgewählte Ton für Phase 2. Vorausgewählte Töne finden Sie in der Ton-Tabelle 2.



Hinweis: Werden beide Schalter geschlossen, entsteht kein Ton.

Ex d und Ex de – Gleichstromeingang, 3 phasen ohne überwachung, einzelheiten des anschlusses (Typen 5 und 6)

Dieser Typ kann je nach Anforderungen auf unterschiedliche Arten konfiguriert werden. Die unabhängige Tonauswahl für alle 3 Phasen geschieht über die 3 stromlosen 5-Wege-DIP-Schalter an der Elektronikbaugruppe:

- **2-Leitungssystem (Einphasen):** Schließen Sie die negativen und neutralen Versorgungsleitungen gemäß dem Schaltbild an die Anschlüsse an.
- **2-drahtiges system (Zweiphasen, umgekehrte Polarität):** Schließen Sie die negativen und neutralen Versorgungsleitungen gemäß dem Schaltbild an die Anschlüsse an. Die zweite Phase wird durch Polaritätsumkehr der Gerätestromversorgung erzeugt.
- **3-Kabelsystem (Zweiphasen, gemeinsamer positiver Draht):** Schließen Sie drei Versorgungsdrähte gemäß dem Schaltbild an die Anschlüsse an (ein gemeinsamer positiver Draht und zwei negative Drähte). Phase 1 wird erzeugt, wenn Strom über die gemeinsamen positiven und Phase 1 negativen Anschlüsse fließt. Phase 2 wird erzeugt, wenn Strom über die gemeinsamen positiven und Phase 2 negativen Anschlüsse fließt.
- **3-Leitungssystem (Zweiphasen, gemeinsamer negativer Draht):** Schließen Sie drei Versorgungsdrähte gemäß dem Schaltbild an die Anschlüsse an (zwei gemeinsame positive Drähte und ein gemeinsamer negativer Draht). Phase 1 wird erzeugt, wenn Strom über die Phase 1 positiven und gemeinsamen negativen Anschlüsse fließt. Phase 2 wird erzeugt, wenn Strom über die Phase 2 positiven und gemeinsamen Phasen negativen Anschlüsse fließt.
- **4-Leitungssystem (Dreiphasen, gemeinsamer negativer Draht):** Schließen Sie vier Versorgungsdrähte gemäß dem Schaltbild an die Anschlüsse an (drei gemeinsame positive Drähte und ein gemeinsamer negativer Draht). Phase 1 wird erzeugt, wenn Strom über die Phase 1 positiven und gemeinsamen

negativen Anschlüsse fließt. Phase 2 wird erzeugt, wenn Strom über die Phase 2 positiven und gemeinsamen negativen Anschlüsse fließt. Phase 3 wird erzeugt, wenn Strom über die Phase 3 positiven und gemeinsamen negativen Anschlüsse fließt.

Jede Version ist mit Anschlüssen ausgestattet, die einen Loop-in Loop-out-Anschluss der Versorgungsleitungen ermöglicht.

Hinweis: Wird ein EOL-Widerstand an einem Wechselstromgerät angegeben, wird dieser

standardmäßig über die Anschlussklemmen 5 und 6 in der Exd-Kammer angeschlossen (siehe unten). Bei anderen Konfigurationen ist der EOL-Widerstand entsprechend an anderer Stelle zu positionieren.

Bei der Positionierung des Abschlusswiderstandes (EOL) ist zu beachten, dass der Platz zwischen Widerstand und Anschlussklemme nur 14 mm beträgt.

Bitte stellen sie sicher, dass der Widerstand keinen Kontakt zur Leiterplatte oder zum Gehäuse haben darf.

DB3B DC EINPHASEN-KONFIGURATION			DB3B DC ZWEIPHASEN-KONFIGURATION MIT UMKEHR-POLARITÄT		
	Ex d	Ex de		Ex d	Ex de
PHASE 1 POSITIV EIN	1	1	PHASE 1 POSITIV EIN/PHASE 2 NEGATIV EIN	1	1
PHASE 1 NEGATIV EIN	2	2	PHASE 1 NEGATIV EIN/PHASE 2 POSITIV EIN	2	2
NICHT VERWENDET	3	3	NICHT VERWENDET	3	3
NICHT VERWENDET	4	4	NICHT VERWENDET	4	4
PHASE 1 POSITIV AUS	5	1	PHASE 1 POSITIV AUS/PHASE 2 NEGATIV AUS	5	1
PHASE 1 NEGATIV AUS	6	2	PHASE 1 NEGATIV AUS/PHASE 2 POSITIV AUS	6	2
NICHT VERWENDET	7	3	NICHT VERWENDET	7	3
NICHT VERWENDET	8	4	NICHT VERWENDET	8	4

DB3B DC ZWEIPHASEN-KONFIGURATION MIT GEMEINSAMEM PLUSPOL			DC ZWEIPHASEN-KONFIGURATION MIT GEMEINSAMEM MINUSPOL			DC DREIPHASEN-KONFIGURATION MIT GEMEINSAMEM MINUSPOL		
	Ex d	Ex de		Ex d	Ex de		Ex d	Ex de
GEMEINSAMER POSITIV EIN	1	1	PHASE 1 POSITIV EIN	1	1	PHASE 2 POSITIV EIN	1	1
PHASE 1 NEGATIV EIN	2	2	GEMEINSAMER NEGATIV EIN	2	2	PHASE 3 POSITIV EIN	2	2
NICHT VERWENDET	3	3	NICHT VERWENDET	3	3	PHASE 1 POSITIV EIN	3	3
PHASE 2 NEGATIV EIN	4	4	PHASE 2 POSITIV EIN	4	4	GEMEINSAMER NEGATIV EIN	4	4
GEMEINSAMER POSITIV AUS	5	1	PHASE 1 POSITIV AUS	5	1	PHASE 2 POSITIV AUS	5	1
PHASE 1 NEGATIV AUS	6	2	GEMEINSAMER NEGATIV AUS	6	2	PHASE 3 POSITIV AUS	6	2
NICHT VERWENDET	7	3	NICHT VERWENDET	7	3	PHASE 1 POSITIV AUS	7	3
PHASE 2 NEGATIV AUS	8	4	PHASE 2 POSITIV AUS	8	4	COMMUNE NEGATIV AUS	8	4

Ex d und Ex de – Gleichstromeingang, zwei-phasig, gemeinsamer pluspol mit überwachung (Standardkonfiguration), einzelheiten des anschlusses (Typen 7 und 8)

Bis zu 4 Versorgungsleitungen an die Anschlussklemmen anschließen, wie im Schaltplan angegeben. Phase 1 wird erzeugt, wenn Strom über die gemeinsamen positiven und Phase 1 negativen Anschlüsse fließt. Phase 2 wird erzeugt, wenn Strom über die gemeinsamen positiven und Phase 2 negativen Anschlüsse fließt.

Die Überwachungsfunktion wird bereitgestellt, wenn die Versorgung über die Anschlussklemmen M1 und M2 angeschlossen wird.

Hinweis: überwachte Anschlüsse sind nicht polaritätsabhängig.

DB3B DC ZWEIPHASEN-KONFIGURATION MIT GEMEINSAMEM PLUSPOL UND ÜBERWACHUNG		
	Ex d	Ex de
GEMEINSAMER POSITIV / M1 EIN	1	1
PHASE 1 NEGATIV EIN	2	2
M2 EIN	3	3
PHASE 2 NEGATIV EIN	4	4
GEMEINSAMER POSITIVE / M1 AUS	5	1
PHASE 1 NEGATIV AUS	6	2
M2 AUS	7	3
PHASE 2 NEGATIV AUS	8	4

ÜBERWACHUNGSFUNKTION NUR MIT MONTIERTEM WIDERSTAND VERFÜGBAR

Ex d und Ex de – Gleichstromeingang, bis zu 3 Phasen mit oder ohne Überwachung (alternative Konfiguration), Einzelheiten des Anschlusses (Typen 9 und 10)

Hinweis: Diese alternative Konfiguration muss bei Bestellung des Geräts angegeben werden.

Dieser Typ kann entweder 3-phasig mit gemeinsamem Minuspol konfiguriert werden, oder, sofern ein optionaler EOL-Widerstand angegeben wurde, 2-phasig mit gemeinsamem Minuspol und Überwachung.

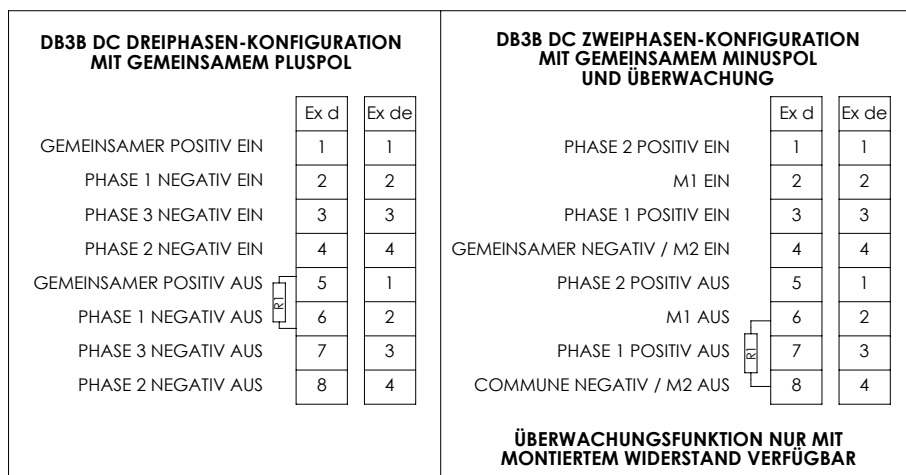
- **4-Leitungssystem (Dreiphasen, gemeinsamer positive Draht):** Schließen Sie vier Versorgungsdrähte gemäß dem Schaltbild an die Anschlüsse an (ein gemeinsamer positiver Draht und drei negative Drähte). Phase 1 wird erzeugt, wenn Strom über die gemeinsamen positiven und Phase 1 negativen Anschlüsse fließt. Phase 2 wird erzeugt, wenn

Strom über die gemeinsamen positiven- und Phase 2 negativen Anschlüsse fließt. Phase 3 wird erzeugt, wenn Strom über die gemeinsamen positiven und Phase 3 negativen Anschlüsse fließt.

- **4-Leitungssystem (zweiphasig, gemeinsamer Minuspol mit Überwachung):** Schließen Sie bis zu 4 Versorgungsleitungen gemäß dem Schaltbild an die Anschlüsse an. Phase 1 wird erzeugt, wenn Strom über die gemeinsamen negativen und Phase 1 positiven Anschlüsse fließt. Phase 2 wird erzeugt, wenn Strom über die gemeinsamen negativen und Phase 2 positiven Anschlüsse fließt.

Die Überwachungsfunktion wird bereitgestellt, wenn die Versorgung über die Anschlussklemmen M1 und M2 angeschlossen wird.

Hinweis: überwachte Anschlüsse sind nicht polaritätsabhängig

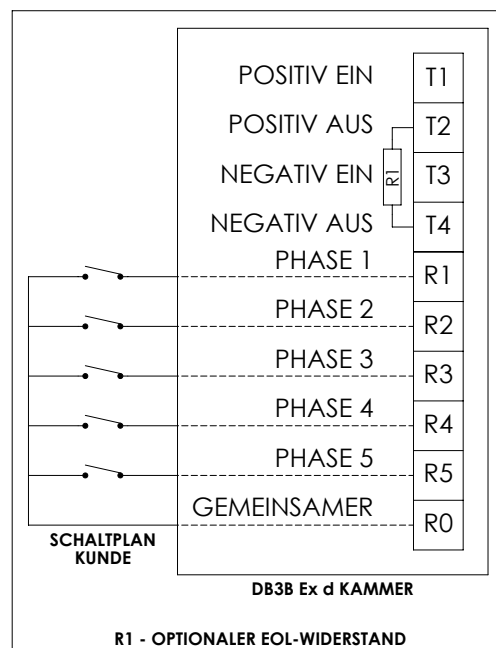


Ex d – Gleichstromeingang, 5 vom Betreiber wählbare Phasen mit spannungsfreier Phasenauswahl mit oder ohne Überwachung (Typ 11)

Schließen Sie die positiven (+) und negativen (-) Versorgungsdrähte gemäß dem Schaltbild an die Anschlüsse an. Wenn das Gerät das erste Mal mit Strom versorgt wird, wird kein Ton produziert. Verbinden Sie die Leitungen und Fernschalter gemäß der Abbildung mit den Anschlussklemmen R0 bis R5. Wird der mit R1 verbundene Schalter geschlossen, ertönt der Phase 1-Ton entsprechend der Auswahl mit dem 5-Wege-DIP-Schalter an der Elektronikbaugruppe. Wird einer der anderen mit R2 bis R5 verbundenen Schalter geschlossen, ertönt einer der vorausgewählten Töne für die Phasen 2 bis 5. Vorausgewählte Töne finden Sie in der Ton-Tabelle 2.

Hinweis: Wird gleichzeitig mehr als ein Schalter geschlossen, wird kein Ton erzeugt.

Sofern ein Widerstand (R1) montiert ist, wird die Überwachungsfunktion bereitgestellt, wenn die Polarität umgekehrt wird.



Ex de – Gleichstromeingang, 5 vom betreiber wählbare Phasen mit spannungsfreier Phasenauswahl mit oder ohne Überwachung (Type 12)

Schließen Sie die positiven (+) und negativen (-) Versorgungsdrähte gemäß dem Schaltbild an die Anschlüsse an. Wenn das Gerät das erste Mal mit Strom versorgt wird, wird kein Ton produziert. Verbinden Sie die Leitungen und Fernschalter gemäß der Abbildung mit den Anschlussklemmen R0 bis R5. Wird der mit R1 verbundene Schalter geschlossen, ertönt der Phase 1-Ton entsprechend der Auswahl mit dem 5-Wege-DIP-Schalter an der Elektronikbaugruppe. Wird einer der anderen mit R2 bis R5 verbundenen Schalter geschlossen, ertönt einer der vorausgewählten Töne für die Phasen 2 bis 5. Vorausgewählte Töne finden Sie in der Ton-Tabelle 2.

Hinweis: Wird gleichzeitig mehr als ein Schalter geschlossen, wird kein Ton erzeugt.

Sofern ein Widerstand (R1) montiert ist, wird die Überwachungsfunktion bereitgestellt, wenn die Versorgungspolarität umgekehrt wird.

4.0 Betrieb

Der Schallgeber ist in unterschiedlichen Wechselstrom-Eingangsspannungs- und einer Gleichstrom-Eingangsspannungsversionen erhältlich.

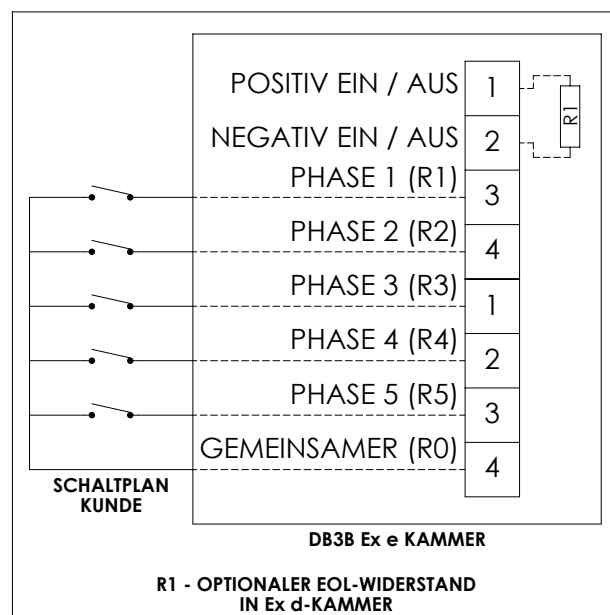
Bei den Wechselstromversionen ist die nominelle Betriebsspannung auf dem Typenschild vermerkt. Die Versorgungsspannungstoleranz beträgt $\pm 10\%$.

Für die Gleichstromversionen liegt der absolute Eingangsspannungsbereich zwischen 11,0 V bis 57,6 V Gleichstrom.

Bei Verwendung eines EOL-Widerstands mit einem Wert zwischen 700 Ω und 2 K Ω darf die zulässige Höchstspannung 28,8 V DC nicht überschreiten.

Bei Verwendung eines EOL-Widerstands mit einem Wert zwischen 470 Ω und 700 Ω darf die zulässige Höchstspannung 26 V DC nicht überschreiten.

Das Gerät ist mit einer Lautstärkeregelung ausgestattet, die sich an der Oberseite der Elektronikbaugruppen-



Leiterplatte befindet. Die höchste Lautstärke wird erreicht, wenn der Regler vollständig nach rechts gedreht wurde. Wird der Regler einmal vollständig nach links gedreht, ist das Gerät stummgeschaltet.

Warnhinweis: Versuchen Sie nicht, den Lautstärkereglern über seinen Bewegungsradius hinaus zu drehen, da ansonsten das Gerät beschädigt werden könnte.

Phasen

Bei allen Versionen wird die für jede Phase erforderliche Phase mit einem 5-Wege-DIP-Schalter ausgewählt. Die Einstellungen für die Standardphasen entnehmen Sie bitte der unten stehenden Tabelle:

Tontabelle 1:

TON Nr.	Tonfrequ./Beschreibung	Schalterstellungen 12345	Tonfrequ./- Beschreibung	Nennleistung (dB(A) bei 1m)
1	Wechselton 800/970 Hz bei 1/4 s	11111		112
2	Wobbelton 800/970 Hz mit 7 Hz	11110	Wobbelton, schnell (NF)	111
3	Wobbelton 800/970 Hz mit 1 Hz	11101	Wobbelton, medium (NF)	113
4	Dauerton mit 2850 Hz	11100		111
5	Wobbelton 2400-2850 Hz mit 7 Hz	11011	Wobbelton, schnell	112
6	Wobbelton 2400-2850 Hz mit 1 Hz	11010		113
7	Langsamer Heulton	11001	Langsamer Heulton	113
8	Wobbelton 1200-500 Hz mit 1 Hz	11000	DIN-Phase	117
9	Wechselton 2400/2850 Hz mit 2 Hz	10111		111
10	Unterbrochener Ton, 970 Hz mit 1 Hz	10110	Reservealarm (NF)	112
11	Wechselton 800/970 Hz bei 7/8 Hz	10101		112
12	Unterbrochener Ton bei 2850 Hz mit 1 Hz	10100	Reservealarm (HF)	112
13	970 Hz, 1/4 s an, 1 s aus	10011		112
14	Dauerton mit 970 Hz	10010		112
15	0,1 s lang 554 Hz/0,4 s lang 440 Hz	10001	Französischer Feueralarm	113
16	Unterbrochener Ton, 660 Hz 150 ms an, 150 ms aus	10000	Schwedischer Feueralarm	108
17	Unterbrochener Ton, 660 Hz 1,8 s an, 1,8 s aus	01111	Schwedischer Feueralarm	108
18	Unterbrochener Ton, 660 Hz 6,5 s lang an, 13 s lang aus	01110	Schwedischer Feueralarm	109
19	Dauerton, 660 Hz	01101	Schwedischer Feueralarm	108
20	Wechselton 554/440 Hz mit 1 Hz	01100	Schwedischer Feueralarm	113
21	Unterbrochener Ton, 660 Hz mit 7/8 Hz	01011	Schwedischer Feueralarm	108
22	Unterbrochener Ton, 2850 Hz 150 ms lang an, 100 ms lang aus	01010	Fußgängerampel	111
23	Wobbelton, 800-970 Hz mit 50 Hz	01001	Niederfrequenz- Summen	109
24	Wobbelton 2400-2850 Hz mit 50 Hz	01000	Hochfrequenz- Summen	111
25	3x970 Hz Impulse, 0,5 aus, 1,5 aus	00111		112
26	3x2850 Hz Impulse, 0,5 an/0,5 aus, 1,5 aus	00110		112
27	Unterbrochener Ton, 3100 Hz, 0,32 s lang an/0,68 s lang aus	00101		105
28	Dauerton, 1400 Hz	00100		125
29	frei/Kudenton	00011		
30	frei/Kudenton	00010		
31	frei/Kudenton	00001		
32	frei/Kudenton	00000		

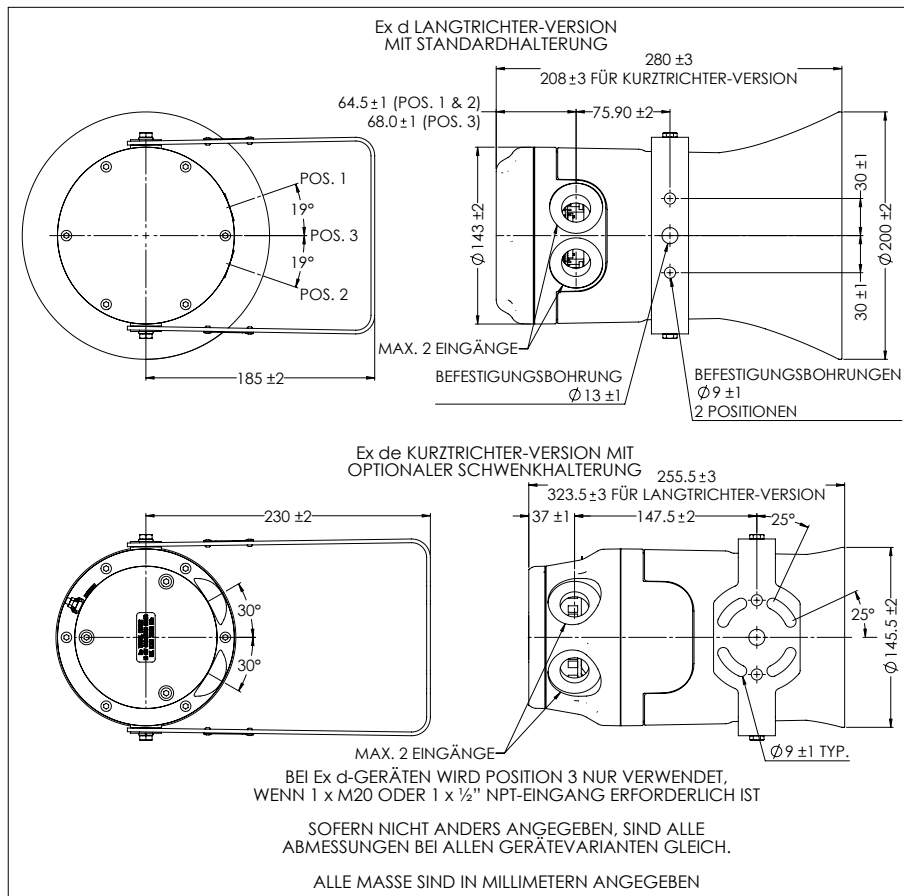
Hinweis: Wurden bei der Bestellung Sondertöne angefordert, finden Sie die Einzelheiten zu diesen Tönen und ihre jeweiligen Schalterstellungen auf der separaten Tonliste, die dem Gerät beiliegt.

* = Töne gemäß EN54-3. Im Abschnitt 9 sind spezifische Töne gemäß EN54-3 zu finden.

Tontabelle 2: Vorauswahlöne für spannungsfreie Aktivierungsphasen

TON Nr.	Tonfrequ./Beschreibung	Schalterstellungen 12345	Spannungsfreie Phasenauswahl-Tonnr.				
			Gleichstrom	Wechselstrom			
Phase 1			Phase 2	Phase 3	Phase 4	Phase 5	Phase 2
1	Wechseltöne 800/970 Hz bei 1/4 s	11111	T14	T10	T11	T8	T14
2	Wobbelton 800/970 Hz mit 7 Hz	11110	T14	T10	T1	T8	T14
3	Wobbelton 800/970 Hz mit 1 Hz	11101	T14	T10	T1	T8	T14
4	Dauerton mit 2850 Hz	11100	T14	T10	T1	T8	T14
5	Wobbelton, 2400-2850 Hz mit 7 Hz	11011	T14	T10	T1	T8	T14
6	Wobbelton, 2400-2850 Hz mit 1 Hz	11010	T14	T10	T1	T8	T14
7	Langsamer Heulton	11001	T14	T10	T1	T8	T14
8	Wobbelton, 1200-500 Hz mit 1 Hz	11000	T14	T10	T1	T6	T14
9	Wechseltöne 2400/2850 Hz mit 2 Hz	10111	T14	T10	T1	T8	T14
10	Unterbrochener Ton von 970 Hz mit 1 Hz	10110	T14	T12	T1	T8	T14
11	Wechseltöne 800/970 Hz bei 7/8 Hz	10101	T14	T10	T1	T8	T14
12	Unterbrochener Ton bei 2850 Hz mit 1 Hz	10100	T14	T10	T1	T8	T14
13	970 Hz, 1/4 s an, 1 s aus	10011	T14	T10	T1	T8	T14
14	Dauerton mit 970 Hz	10010	T28	T10	T1	T8	T28
15	0,1 s lang 554 Hz/0,4 s lang 440 Hz	10001	T14	T10	T1	T8	T14
16	Unterbrochener Ton, 660 Hz 150 ms an, 150 ms aus	10000	T14	T10	T1	T8	T14
17	Unterbrochener Ton, 660 Hz 1,8 s an, 1,8 s aus	01111	T14	T10	T1	T8	T14
18	Unterbrochener Ton, 660 Hz 6,5 s lang an, 13 s lang aus	01110	T14	T10	T1	T8	T14
19	Dauerton, 660 Hz	01101	T14	T10	T1	T8	T14
20	Wechselton 554/440 Hz mit 1 Hz	01100	T14	T10	T1	T8	T14
21	Unterbrochener Ton, 660 Hz mit 7/8 Hz	01011	T14	T10	T1	T8	T14
22	Unterbrochener Ton, 2850 Hz 150 ms lang an, 100 ms lang aus	01010	T14	T10	T1	T8	T14
23	Wobbelton 800-970 Hz mit 50 Hz	01001	T14	T10	T1	T8	T14
24	Wobbelton, 2400-2850 Hz mit 50 Hz	01000	T14	T10	T1	T8	T14
25	3x970 Hz Impulse, 0,5 aus, 1,5 aus	00111	T14	T10	T1	T8	T14
26	3x2850 Hz Impulse, 0,5 an/0,5 aus, 1,5 aus	00110	T14	T10	T1	T8	T14
27	Unterbrochener Ton, 3100 Hz, 0,32 s lang an/0,68 s lang aus	00101	T14	T10	T1	T8	T14
28	Dauerton, 1400 Hz	00100	T14	T10	T1	T8	T14
29	frei/Kudenton	00011					
30	frei/Kudenton	00010					
31	frei/Kudenton	00001					
32	frei/Kudenton	00000					

Allgemeine wartung

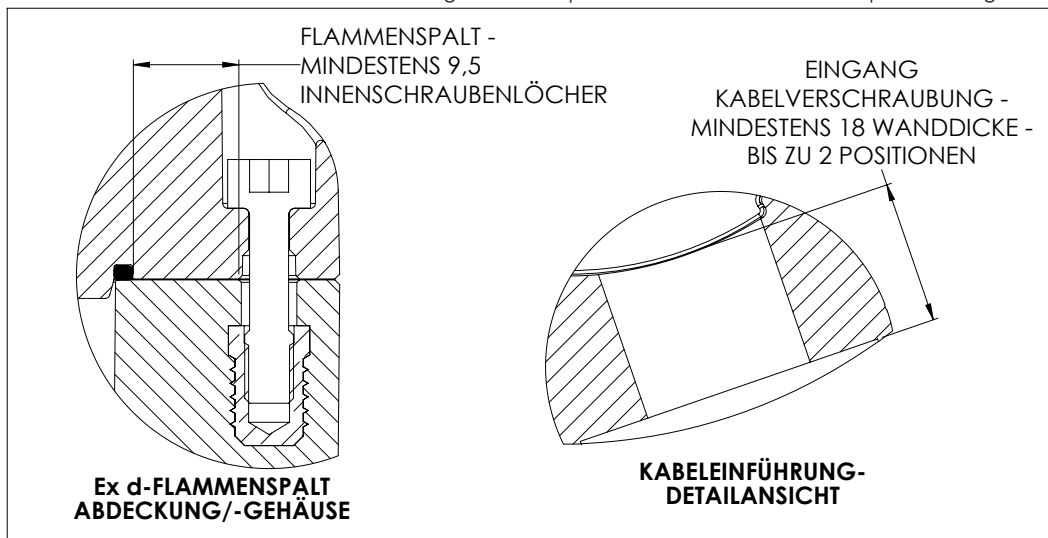


5.0 Wartung

Das Gerät sollte während seiner Nutzungsdauer nur wenig oder sogar keinerlei Wartung benötigen. GFK ist beständig gegenüber den meisten Säuren, Alkalien und Chemikalien und ist ebenso beständig gegenüber konzentrierten Säuren und Alkalien wie die meisten Metallprodukte.

Unter anormalen oder außergewöhnlichen Umweltbedingungen, wie z. B. bei Beschädigungen der Anlage oder Unfällen, wird jedoch eine Sichtprüfung empfohlen.

Siehe nachstehendes Diagramm für Details zu den zünddurchschlagsicheren Spalten in der Einheit. **ACHTUNG!** - Die nachstehend detaillierten zünddurchschlagsicheren Spalten sind nicht für eine Reparatur vorgesehen.



Wenn das Gerät gereinigt werden muss, darf nur die Außenseite mit einem feuchten Tuch abgewischt werden, um eine elektrostatische Aufladung zu vermeiden.

Sollte ein Gerätefehler auftreten, kann das Gerät durch MEDC repariert werden.

Wenn Sie eine größere Menge an Geräten erworben haben, ist zu empfehlen, dass auch entsprechende Ersatzteile zur Verfügung stehen. Bitte besprechen Sie Ihre Anforderungen mit den Spezialisten vom technischen Vertrieb von MEDC.

6.0 Zertifizierungen/genehmigungen

IECEx-Geräte

Gas (G)-zertifizierte geräte

Zertifiziert nach IEC60079-0, IEC60079-1 und IEC60079-7

Ex d IIC-Gerät (IEC-Zertifikationsnr. IECEx BAS 13.0112X)
Ex db IIC T_G (T_{amb.}) Gb

Ex de IIC-Gerät (IEC-Zertifikationsnr. IECEx BAS 13.0114X)
Ex db eb IIC T_G (T_{amb.}) Gb

Umgebungstemperatur und T-Klassen siehe Sonderbedingungen für sicheren Einsatz.

Die IECEx-Zertifikats- und Produktkennzeichnung sind mit der Kennzeichnung der IECEx-Ausrüstungsschutzklasse versehen:

Gb

Wobei Gb kennzeichnet die Eignung zur Verwendung in oberirdischen Industriebereichen der Zone 1 in gashaltiger Umgebung.

Gas- und Staub (GD)-zertifizierte Geräte

Zertifiziert nach IEC60079-0, IEC60079-1, IEC60079-7 und IEC60079-31

Ex d IIIC-Gerät (IEC-Zertifikationsnr. IECEx BAS 13.0113X)
Ex db IIC TG (T_{amb.}) Gb
Ex tb IIIC TD (T_{amb.}) Db IP6X

Ex de IIIC-Gerät (IEC-Zertifikationsnr. IECEx BAS 13.0115X)
Ex db eb IIC TG (T_{amb.}) Gb
Ex tb IIIC TD (T_{amb.}) Db IP65/66*

*abhängig vom äußeren Trichtertyp (kurzer haupttrichter - IP65, lange haupttrichter - IP66)

Umgebungstemperatur und T-Klassen siehe Sonderbedingungen für sicheren Einsatz.

Die IECEx-Zertifikats- und Produktkennzeichnung sind mit der Kennzeichnung der IECEx-Ausrüstungsschutzklasse versehen:

Gb und Db

Wobei Gb die Eignung zur Verwendung in oberirdischen Industriebereichen der Zone 1 in gashaltiger Umgebung kennzeichnet.

Db kennzeichnet die Eignung zur Verwendung in oberirdischen Industriebereichen der Zone 21 in staubhaltiger Umgebung.

ATEX-Geräte

Gas (G)-zertifizierte geräte

Zertifiziert nach EN60079-0, EN60079-1 und EN60079-7

Ex d IIC-Gerät (ATEX-Zertifikationsnr. Baseefa13ATEX0229X)
Ex db IIC T_G (T_{amb.}) Gb

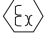
Ex de IIC-Gerät (ATEX-Zertifikationsnr. Baseefa13ATEX0232X)
Ex db eb IIC T_G (T_{amb.}) Gb

Umgebungstemperatur und T-Klassen siehe Sonderbedingungen für sicheren Einsatz.

Die ATEX-Zertifikats- und Produktkennzeichnung sind mit der Kennzeichnung der ATEX-Gruppe und -Kategorie versehen:

 II 2 G

wobei:

-  II die Einhaltung der ATEX-Regelungen kennzeichnet die Eignung zur Verwendung in oberirdischen Industriezweigen kennzeichnet.
- 2 die Eignung zur Verwendung in einem Zone 1-Bereich kennzeichnet
- G die Eignung zur Verwendung in gashaltigen Umgebungen kennzeichnet

Gas- und staub (GD)-zertifizierte geräte

Zertifiziert nach EN60079-0, EN60079-1, EN60079-7 und EN60079-31

Ex d IIIC-Gerät (ATEX-Zertifikationsnr. Baseefa13ATEX0231X)
Ex db IIC T_G (T_{amb.}) Gb
Ex tb IIIC T_D (T_{amb.}) Db IP6X

Ex de IIIC-Gerät (ATEX-Zertifikationsnr. Baseefa13ATEX0233X)
Ex db eb IIC T_G (T_{amb.}) Gb
Ex tb IIIC T_D (T_{amb.}) Db IP65/66*


*abhängig vom äußeren Trichtertyp (kurzer haupttrichter - IP65, lange haupttrichter - IP66)

Umgebungstemperatur und T-Klassen siehe Sonderbedingungen für sicheren Einsatz.

Die ATEX-Zertifikats- und Produktkennzeichnung sind mit der Kennzeichnung der ATEX-Gruppe und -Kategorie versehen:

 II 2 GD

wobei:

-  II die Einhaltung der ATEX-Regelungen kennzeichnet die Eignung zur Verwendung in oberirdischen Industriezweigen kennzeichnet.
- 2 die Eignung zur Verwendung in einem Zone 1-Bereich kennzeichnet
- G die Eignung zur Verwendung in gashaltigen Umgebungen kennzeichnet
- D die Eignung zur Verwendung in staubhaltigen Umgebungen kennzeichnet

Diese geräte haben außerdem die folgenden zulassungen:

Schutzart: Ex d- und Ex e-Anschlusskammern - IP66 und IP67 gemäß IEC60529

EN54-3 Feueralarmeinrichtung – Akustischer Signalgeber (11-57,6 V DC, absolut)

Umgebungstyp B, Anwendungen im Freien

Umgebungstemperatur -25 °C bis +70 °C

IP-Code IP33C gemäß BS EN 60529:1992



Das bedeutet, dass das Gerät, zusammen mit dem Namen und der Nummer der benannten Stelle, die die Konformitätsbescheinigung ausstellt, mit den einschlägigen europäischen Vorschriften übereinstimmt, in diesem Fall 305/2011.

7.0 Sonderbedingungen für sicheren einsatz

a) Typ DB3B Ex d:

IECEX BAS 13.0112X, IECEX BAS 13.0113X, Baseefa13ATEX0229X & Baseefa13ATEX0231X

1. Für Austausch Zwecke müssen die Befestigungsschrauben für den Deckel aus Edelstahl mit Grad A2-70 oder stärker sein.
2. Lackierungen und andere Oberflächenbehandlungen, außer die vom Hersteller aufgetragenen, sind nicht gestattet.
3. Wird das Gerät (ausschließlich GD-Geräte) in staubhaltigen Umgebungen eingesetzt, müssen die zu verwendenden Kabeleintritte zur Erhaltung der IP6X-Schutzklasse gemäß den entsprechenden Einbauregelungen abgedichtet werden.
4. Dieses Gerät ist nur für den Gebrauch bei folgenden Umgebungstemperaturen geeignet:

Max. Nennleistung	T _{amb.}	T _G	T _G
15 W	-55°C bis +85°C	T4	T135°C
	-55°C bis +55°C	T5	T100°C
	-55°C bis +40°C	T6	T85°C

b) Typ DB3B Ex de:

IECEX BAS 13.0114X, IECEX BAS 13.0115X, Baseefa13ATEX0232X & Baseefa13ATEX0233X

1. Für Austausch Zwecke müssen die Befestigungsschrauben für den Deckel aus Edelstahl mit Grad A2-70 oder stärker sein.
2. Lackierungen und andere Oberflächenbehandlungen, außer die vom Hersteller aufgetragenen, sind nicht gestattet.

3. Es darf nicht mehr als eine einzel- oder mehradrige Verdrahtung mit einer Seite eines Anschlusses verbunden werden, es sei denn, mehrere Leitungen wurden auf angemessene Weise miteinander verbunden, z. B. zwei Leitungen in einer einzelnen, isolierten Aderendhülle.
4. Kabel, die mit den Anschlüssen verbunden sind, müssen gegen mindestens 275 V isoliert sein und diese Isolierung muss bis zu 1 mm in das Metall der Aderendhülle erweitert werden.
5. Die Luft- und Kriechabstände zwischen Anschlüssen und benachbarten leitenden Teilen (einschließlich Kabeleintritte) müssen mindestens 6 mm betragen.
6. Alle Anschlussschrauben müssen fest angezogen werden, ob sie genutzt werden oder nicht.
7. Wird das Gerät (ausschließlich GD-Geräte) in staubhaltigen Umgebungen eingesetzt, müssen die zu verwendenden Kabeleintritte zur Erhaltung der IP6X-Schutzklasse gemäß den entsprechenden Einbauregelungen abgedichtet werden.
8. Wenn internes optionales Erdungsmaterial verwendet wird, muss es korrosionsbeständig sein.
9. Dieses Gerät ist nur für den Gebrauch bei folgenden Umgebungstemperaturen geeignet:

Max. nennleistung	T _{amb.}	T _G	T _G
15 W	-50°C bis +85°C	T4	T135°C
	-50°C bis +55°C	T5	T100°C
	-50°C bis +40°C	T6	T85°C

8.0 Funktionale sicherheit

Einführung

Der DB3B Signalgeber wurde für eine Verwendung in möglicherweise explosionsgefährlichen Atmosphären und unter harschen Umweltbedingungen entworfen. Die Gehäuse aus glasfaserverstärktem Kunststoff eignen sich zur Verwendung auf See und Land, wenn ein geringes Gewicht gepaart mit Korrosionsbeständigkeit und Festigkeit gefragt ist.

Die Sicherheitsfunktion des Signalgebers dient der Ausstrahlung eines vordefinierten Warntons, wenn die korrekte Spannung an das Gerät angelegt wird. Die DC-Version des Signalgebers wurde für den Betrieb mit einer Versorgungsspannung zwischen 12 und 48 Volt DC entwickelt.

Unter fehlerfreien (normalen) Betriebsbedingungen liefert der DB3B Signalgeber einen hörbaren Warnton, sofern dies vom System erforderlich ist.

Bei Störbedingungen zeigt sich der Fehlermodus des Signalgebers dadurch, dass der hörbare Warnton nicht ausgegeben wird. Den Fehlerwert dieses Fehlermodus entnehmen Sie bitte der untenstehenden Tabelle.

Bewertung der funktionalen sicherheit

Dieser Signalgeber wurde für die Einbindung in ein Sicherheitssystem entwickelt, das die Anforderungen der Norm IEC 61508 erfüllt.

UL hat mit dem DB3B Signalgeber eine Auswirkungsanalyse („Failure Modes Effect and Diagnostic Analysis“ – FMEA) gemäß den Anforderungen der Norm IEC 61508-2 mit einem Abnahmeprüfungsintervall von 8760 Std. durchgeführt.

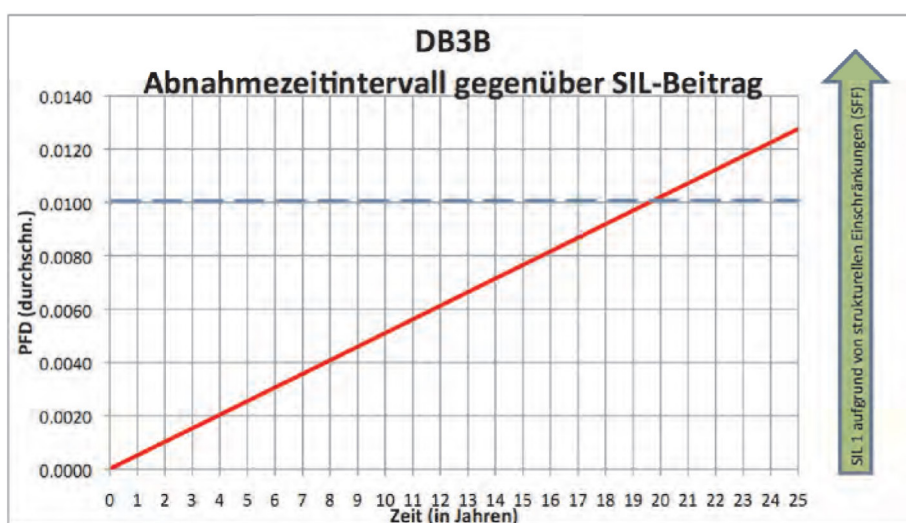
Die Ergebnisse sind unten aufgeführt und basieren auf Strecke_{1H}.

Der Signalgeber wurde als Typ B-Gerät eingestuft.

DB3B Signalgeber

Sicherheitsfunktion des DB3B Signalgebers:
Bei Bedarf, Erzeugen eines vordefinierten akustischen Warntons

Übersicht der Klauseln 2/7.4.2 und 2/7.4.4	DB3B Signalgeber Einzelmodus (1oo1)	DB3B Signalgeber Redundanter Modus (1oo2)	Urteil
Strukturelle Einschränkungen Safe Failure Fraction (SFF)	HFT=0 65,9 %	HFT=1 65,9 %	Typ B SIL 1(1oo1) SIL 2 (1oo2)
Zufällige Ausfälle der Hardware: [h ⁻¹]	λ_{DD} λ_{DU} 6,5E+09 1,16E-07	6,5E+10 1,16E-08	
Zufällige Ausfälle der Hardware: [h ⁻¹]	λ_{SD} λ_{SU} 0,00E+00 2,18E-07	0,00E+00 2,18E-08	
PFH bei PTI = 8760 h MTTR = 8 h	5,09E-04	5,09E-05	SIL 3(1oo1)
Durchschnittliche Frequenz gefährlicher Fehler (High Demand-PFH)[h ⁻¹]	1,16E-07	1,16E-08	SIL 2(1oo1)
Einhaltung der Sicherheitsintegrität der Hardware	Strecke 1 _H		
Einhaltung der Sicherheitsintegrität des Systems	Strecke 1 _S		
Systemische Fähigkeit (SC1, SC2, SC3, SC4)	SC2		
Sicherheitsintegrität der Hardware erreicht	Beschränkt auf: SIL 1 (1oo1) und SIL 2 (1oo2) aufgrund des SFF-Werts.		



Bedingungen für einen sicheren betrieb

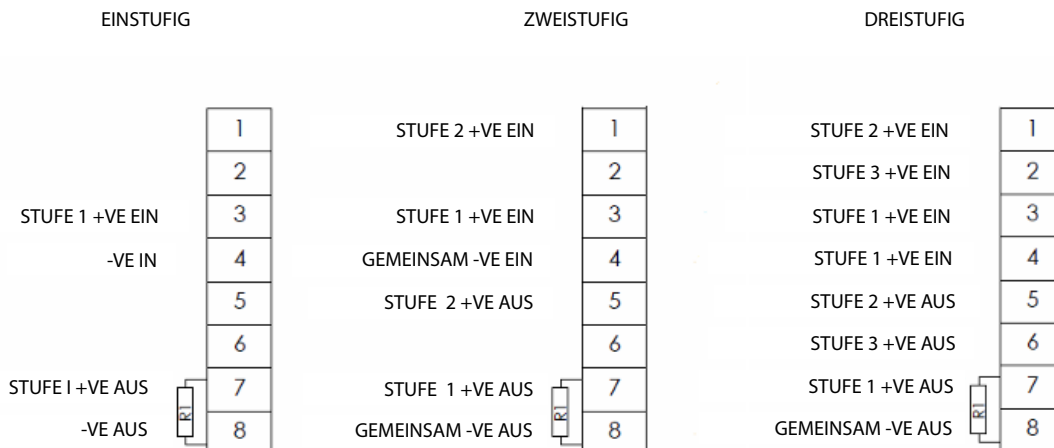
Folgende Bedingungen beziehen sich auf die Installation, den Betrieb und die Wartung des beurteilten Geräts. Die Nichtbefolgung kann die Sicherheitsintegrität des beurteilten Geräts beeinträchtigen:

1. Der Benutzer hat sich bezüglich aller wichtigen funktionalen Sicherheitsaspekte, wie Anwendung, Installation, Betrieb, Wartung, Abnahmeprüfungen, Höchstleistungen, Umgebungsbedingungen, Reparatur usw. an die Anforderungen in der Herstellerdokumentation (dieses Sicherheitshandbuch und das technische Handbuch) zu halten.
2. Die Wahl dieses Geräts für die Verwendung in Sicherheitsfunktionen sowie die Installation, Konfiguration, Gesamtvalidierung, Wartung und Reparatur dürfen nur von entsprechend geschultem Personal durchgeführt werden, das alle Bedingungen und Empfehlungen des Herstellers in der Benutzerdokumentation befolgt.
3. **Alle Informationen zu Feldausfällen dieses Produktes müssen unter einem Zuverlässigkeitsmanagementprozess (z. B. IEC 60300-3-2) gesammelt und dem Hersteller mitgeteilt werden.**
4. Das Gerät sollte im Einklang mit diesem Sicherheitshandbuch in regelmäßigen Abständen überprüft werden, um Fehlfunktionen aufzufinden.
5. Wenn das Produkt in einer redundanten Installation verwendet wird, können sowohl die Sicherheitsintegrität der Hardware als auch die Sicherheitsintegrität des Systems für SIL 2 erreicht werden. Die Installation muss ausreichenden Schutz vor häufigen Fehlerursachen und Unabhängigkeit von kaskadierenden Fehlern gewährleisten.

9.0 Produkt mit EN54-3-Zertifizierung

Verdrahtungskonfiguration

Die EN54-3-zertifizierte Version darf nur für einstufige (2 Drähte), zweistufige (3 Drähte) oder dreistufige (4 Drähte) gemeinsame Negativanschlüsse in den unten gezeigten Konfigurationen angeschlossen werden.



EN54-3-konforme Tondaten

	Winkel	Minimale Lautstärke dB(A)			
		Horizontale Ebene		Vertikale Ebene	
		Max. 58 V	Min. 11 V	Max. 58 V	Min. 11 V
TON 3	15°	97,9	96,7	97,9	98,5
	45°	102,2	100,7	101,2	99,6
	75°	110,2	109,2	110,0	108,9
	105°	110,2	109,3	110,6	109,5
	135°	103,4	102,0	104,8	103,3
	165°	98,4	97,4	99,6	98,5
TON 7	15°	98,0	96,7	97,7	96,5
	45°	104,1	102,3	103,8	102,1
	75°	110,1	108,9	109,9	108,7
	105°	110,1	108,9	110,4	109,3
	135°	103,6	101,9	104,8	103,2
	165°	98,2	96,7	99,5	98,3
TON 8	15°	98,3	97,2	97,2	96,1
	45°	104,7	103,5	104,7	103,5
	75°	109,2	108,2	108,9	107,9
	105°	109,1	108,1	109,5	108,5
	135°	103,3	101,9	103,8	102,5
	165°	97,5	96,4	98,7	97,7
TON 15	15°	94,9	93,3	94,4	92,7
	45°	100,7	99,1	100,1	98,4
	75°	103,6	102,0	103,0	101,3
	105°	103,2	101,6	103,8	101,9
	135°	99,1	97,5	100,0	98,3
	165°	94,6	93,0	95,3	93,5
TON 19	15°	99,0	98,2	98,5	97,6
	45°	98,4	97,6	93,6	92,7
	75°	110,9	110,1	110,2	109,2
	105°	110,7	110,0	110,5	109,6
	135°	102,3	101,5	103,6	102,6
	165°	98,4	97,7	99,8	98,8
TON 20	15°	95,0	93,3	94,9	93,4
	45°	101,5	99,8	101,9	100,5
	75°	104,2	102,4	103,4	102,0
	105°	104,4	102,6	105,1	103,6
	135°	99,2	97,5	99,8	98,3
	165°	96,1	94,4	96,9	95,5

Contents

1.0 ВВЕДЕНИЕ	61
2.0 ОБЩИЕ ПРАВИЛА ТЕХНИКИ БЕЗОПАСНОСТИ	61
3.0 УСТАНОВКА	62
Доступ к клеммам	62
Электрические соединения	62
Ex d – Электрические соединения ПРИ питании напряжением переменного тока (типы 1 и 2)	62
Ex de – Электрические соединения ПРИ питании напряжением переменного тока (типы 3 и 4)	63
Ex d и Ex de – Работа с питанием напряжением постоянного тока, 3 режима, без мониторинга электрических соединений (типы 5 и 6)	64
Ex d и Ex de – Работа с питанием напряжением постоянного тока, с двумя режимами с общим плюсом и мониторингом (стандартная конфигурация) электрических соединений (типы 7 и 8)	65
Ex d и Ex de – Работа с питанием напряжением постоянного тока, до 3 режимов с функцией мониторинга (альтернативная конфигурация) электрических соединений (типы 9 и 10) или без нее	65
Ex d – работа с напряжением питания постоянного тока, с беспотенциальными электрическими соединениями (тип 11)	66
Ex de – работа с напряжением питания постоянного тока, с беспотенциальными электрическими соединениями (тип 12)	67
4.0 ЭКСПЛУАТАЦИЯ	67
5.0 ТЕХНИЧЕСКОЕ ОБСЛУЖИВАНИЕ	70
6.0 СЕРТИФИКАЦИЯ/РАЗРЕШЕНИЯ	71
Устройства с сертификацией IECEx	71
Устройства, сертифицированные для работы в ПРИСУТСТВИИ газов (G)	71
Устройства, сертифицированные для работы в присутствии газов и пыли (GD)	71
Устройства с сертификацией ATEX	71
Устройства, сертифицированные для работы в присутствии газов (G)	71
Устройства,, сертифицированные для работы в присутствии газов и пыли (GD)	71
На данные устройства_были также получены следующие разрешительные документы	72
7.0 СПЕЦИАЛЬНЫЕ УСЛОВИЯ БЕЗОПАСНОЙ ЭКСПЛУАТАЦИИ	72
8.0 ФУНКЦИОНАЛЬНАЯ БЕЗОПАСНОСТЬ	72
Описание	72
Оценка функциональной безопасности	73
Условия безопасной эксплуатации	74
9.0 EN54-3	74

1.0 Введение

Данная серия звуковых оповещателей, предназначенных для использования в потенциально взрывоопасных газовых и пылевых средах, представлена версиями, пригодными для использования в следующих газовых/пылевых группах:

Оповещатели выпускаются в исполнениях «G» (пригодность к эксплуатации в присутствии газов) и «GD» (пригодность к эксплуатации в присутствии газов и пыли). Примечание: Номинальный уровень громкости оповещателя в исполнении «G» на 6 дБ выше, чем в исполнении «GD».

Взрывозащищённый (Ex) корпус изготовлен из полиэфира, армированного стекловолокном, стойкого к УФ излучению. Рупор изготовлен из прочного термопластика. Кронштейн, винты крышки и крепёжные элементы из нержавеющей стали встроены в корпус, что позволяет избежать коррозии.

По требованию возможно изготовление клеммной коробки в исполнении «Ex e» (см. подробно в разделе о сертификации). Также доступна несертифицированная модификация для использования в невзрывоопасной атмосфере.

2.0 Общие правила техники безопасности

Для обеспечения безопасности при установке данного устройства необходимо соблюдать правила техники безопасности и другие указания, приведенные в настоящем руководстве. Установку и обслуживание устройства должен осуществлять только специально подготовленный персонал предприятия/специализированная организация.

- I. Для уменьшения риска пожара и поражения электрическим током запрещается подавать питание на устройство до полного завершения монтажных работ, закрытия и герметизации устройства.
- II. Для уменьшения риска пожара и поражения электрическим током при подаче питания устройство должно быть плотно закрыто.
- III. Перед снятием крышки для установки или технического обслуживания убедитесь в том, что устройство отсоединено от электрической сети.
- IV. После установки испытайте устройство, чтобы убедиться в правильности его работы.
- V. После установки проследите за тем, чтобы каждый сотрудник получил экземпляр данного руководства.
- VI. При установке устройства необходимо следовать требованиям по выбору, установке и эксплуатации, изложенным, например, в документах «IEE Wiring Regulations» (Правилах выполнения электропроводки IEE) и «National Electrical Code» (Национальном своде законов и стандартов США по электротехнике) в Северной Америке. Могут применяться дополнительные национальные и/или местные требования.

VII. Подключение кабеля должно выполняться в соответствии с требованиями действующих норм. Компания MEDC рекомендует промаркировать все жилы и кабели. См. электрическую схему в данном руководстве (или схему, поставляемую в комплекте с изделием).

VIII. Убедитесь в том, что используются только подходящие и сертифицированные кабельные вводы, устройство закрыто и заземлено надлежащим образом.


IX. Убедитесь в том, что заглушки для неиспользуемых вводов подобраны правильно, являются сертифицированными, и что номинальный ток/мощность устройства соответствует требованиям NEMA/IP.

X. Для обеспечения заявленной степени защиты IP компания MEDC рекомендует наносить на резьбу кабельных вводов и заглушек герметик типа HYLOMAR PL32 и/или устанавливать соответствующие уплотнительные шайбы.

XI. У устройств в исполнении «Ex de» на все кабельные вводы и заглушки корпусов «Ex e» должны быть установлены подходящие уплотнительные шайбы.

XII. Конечный пользователь или установщик должен обеспечить защиту этого оборудования от внешних воздействий, которые могут отрицательно повлиять на взрывозащиту или связаться с изготовителем, если сомневаетесь в пригодности данного оборудования в среде, в которой оно должно быть установлено.

XIII. Единицы Ex d

Внутренняя клемма заземления  должна использоваться для защитного заземления при необходимости. Не снимайте внутренний заземляющий ремень с клеммы заземления где установлено.

Для единиц с метрическими записями; Непрерывность сальника и заземление могут быть достигнуты с помощью дополнительной внешней заземляющей пластины. Если установлена внешняя пластина, необходимо использовать герметик для резьбы, такой как HYLOMAR PL32, чтобы поддерживать класс защиты IP единицы.

Единицы Ex de

При необходимости внутреннее / внешнее заземление необходимо использовать для заземления оборудования. Непрерывность сальника достигается при наличии дополнительной внутренней земли плита установлена.

XIV. При установке данного устройства компания MEDC рекомендует использовать крепеж из нержавеющей стали. Убедитесь в том, что все гайки, болты и крепёжные приспособления надёжно закреплены и затянуты.

XV. Устройство должно быть расположено таким образом, чтобы мусор, пыль или вода не скапливались в рупоре.

XVI. Устройство должно быть расположено таким образом, чтобы твердые объекты, не являющиеся частью оборудования, находились на удалении не

менее 40 мм от соединения пламяотводящего канала со степенью защиты Ex d.

XVII. Покупатель обязан проинформировать изготовителя обо всех внешних воздействиях и агрессивных веществах, которым оборудование будет подвергаться во время эксплуатации.

3.0 Установка

Устройство крепится при помощи двух отверстий Ø9 мм в П-образном крепёжном кронштейне. При необходимости устройство можно первоначально закрепить при помощи центрального отверстия Ø13 мм в крепёжном кронштейне. Затем повернуть в нужное положение и окончательно закрепить при помощи двух других отверстий.

По заказу устройство может поставляться с поворотным кронштейном, позволяющим поворачивать устройство в требуемое положение.

Крепёжные отверстия рассчитаны на винты или болты M8.

Доступ к клеммам

У устройств в исполнении «Ex d» крышка крепится 6 винтами M5 (ключ-шестигранник на 4 мм). После откручивания крепёжных винтов можно снять крышку с корпуса для получения доступа к внутренним компонентам. В крышке используются невыпадающие винты.

У устройств в исполнении «Ex de» крышка крепится 3 винтами M5 (ключ-шестигранник на 4 мм). После откручивания крепёжных винтов можно снять крышку с корпуса для получения доступа к внутренним компонентам. В крышке используются невыпадающие винты. Все винты клемм, как используемых, так и неиспользуемых, должны быть полностью затянуты.

После завершения подключения аккуратно установите крышку на основание, следя за тем, чтобы не повредить контактные поверхности. Равномерно затяните винты крышки. В модификациях «Ex de» необходимо соблюдать максимальный момент затяжки винтов крышки, указанный на крышке «Ex e». Убедитесь, что кольцевое уплотнение правильно установлено в канавке при повторной сборке. У модификаций «Ex d» максимальный зазор между крышкой и основанием в собранном виде должен составлять 0,04 мм.

Электрические соединения

Доступные базовые конфигурации устройства приведены ниже. Особые конфигурации для соответствия EN54-3 см. в разделе 9.

1. Ex d- С питанием напряжением перем. тока, один режим.
2. Ex d- С питанием напряжением перем. тока, два режима с беспотенциальным выбором режима.
3. Ex de- С питанием напряжением перем. тока, один режим.
4. Ex de- С питанием напряжением переменного тока,

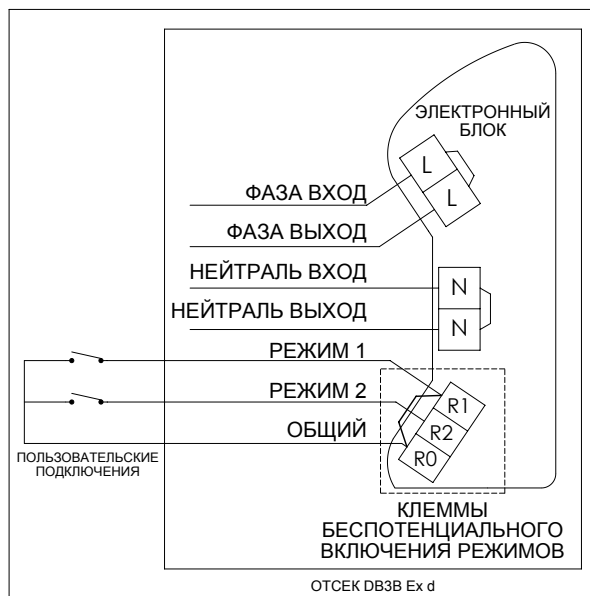
два режима с беспотенциальным выбором режима.

5. Ex d- С питанием напряжением постоянного тока; до 3 режимов, выбираемых пользователем; без мониторинга.
6. Ex de- С питанием напряжением постоянного тока; до 3 режимов, выбираемых пользователем; без мониторинга.
7. Ex d- С питанием напряжением постоянного тока; до 2 режимов, выбираемых пользователем; с оконечным резистором/мониторингом (стандартная конфигурация).
8. Ex de- С питанием напряжением постоянного тока; до 2 режимов, выбираемых пользователем; с оконечным резистором/мониторингом (стандартная конфигурация).
9. Ex d- С питанием напряжением постоянного тока; до 3 режимов, выбираемых пользователем; с оконечным резистором (в качестве опции)/мониторингом (альтернативная конфигурация).
10. Ex de- С питанием напряжением постоянного тока; до 3 режимов, выбираемых пользователем; с оконечным резистором (в качестве опции)/мониторингом (альтернативная конфигурация).
11. Ex d- С питанием напряжением постоянного тока, 5 режимов, выбираемых пользователем, с беспотенциальным выбором режима, с функцией мониторинга или без нее.
12. Ex de- С питанием напряжением постоянного тока, 5 режимов, выбираемых пользователем, с беспотенциальным выбором режима, с функцией мониторинга или без нее.

Ex d – Электрические соединения ПРИ питания напряжением переменного тока (типы 1 и 2)

- **Тип 1:** Подключите фазовый и нейтральный провода к клеммам, как показано на схеме электрических подключений. Устройство поставляется в комплекте с перемычкой между R1 и R0, установленной на клеммах. При подаче питания на устройство будет воспроизведен сигнал 1 режима согласно установкам на пятипозиционном DIP-переключателе.
- **Тип 2:** Подключите фазовый и нейтральный провода к клеммам, как показано на схеме электрических подключений. Устройство поставляется без перемычки между R1 и R0. Подключите провода и дистанционные выключатели к клеммам R0, R1 и R2, как показано на схеме. При первоначальной подаче питания на устройство звук не воспроизводится. При замыкании переключателя, подключенного к R1, будет воспроизведен сигнал режима 1 согласно установкам на пятипозиционном DIP-переключателе в электронном блоке. При замыкании переключателя, подключенного к R2, будет воспроизведен предварительно установленный сигнал для режима 2. Подробно о предварительно установленных сигналах см. в таблице сигналов 2.

Примечание: При замыкании обоих переключателей сигнал не воспроизводится.

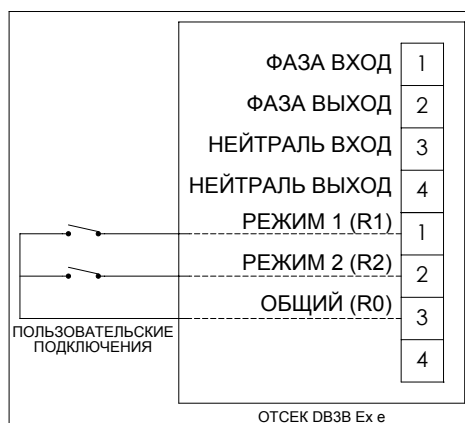


Ex de – Электрические соединения ПРИ питании напряжением переменного тока (типы 3 и 4)

- **Тип 3:** Подключите фазовый и нейтральный провода к клеммам, как показано на схеме электрических подключений. При подаче питания на устройство будет воспроизведен сигнал режима 1 согласно установкам на пятипозиционном DIP-переключателе в отсеке класса защиты Ex d.
- **Тип 4:** Подключите фазовый и нейтральный провода к клеммам, как показано на схеме электрических подключений. При первоначальной подаче питания на устройство

звук не воспроизводится. Подключите провода и дистанционные выключатели к клеммам R0, R1 и R2, как показано на схеме. При замыкании переключателя, подключенного к R1, будет воспроизведен сигнал режима 1 согласно установкам на пятипозиционном DIP-переключателе в электронном блоке. При замыкании переключателя, подключенного к R2, будет воспроизведен предварительно установленный сигнал для режима 2. Подробно о предварительно установленных сигналах см. в таблице сигналов 2.

Примечание: При замыкании **обоих** переключателей сигнал не воспроизводится.



Ex d и Ex de – Работа с питанием напряжением постоянного тока, 3 режима, без мониторинга электрических соединений (типы 5 и 6)

Данный тип предусматривает несколько конфигураций в зависимости от требований. Независимый выбор сигнала для всех 3 режимов осуществляется с помощью трех пятипозиционных DIP-переключателей, установленных в электронном блоке:

- **двухпроводная система (один режим):** Подключите провода плюса и минуса питания к клеммам, как показано на схеме электрических подключений.
- **двухпроводная система (два режима, обратная полярность):** Подключите провода плюса и минуса питания к клеммам, как показано на схеме электрических подключений. Второй режим включается посредством изменения полярности источника питания устройства.
- **Трехпроводная система (два режима, общий положительный):** Подключите 3 провода питания к клеммам, как показано на схеме электрических подключений (1 общий положительный провод и 2 отрицательных провода). Режим 1 активируется, когда питание подключено к общей положительной клемме и отрицательным клеммам режима 1. Режим 2 активируется, когда питание подключено к общей положительной клемме и отрицательным клеммам режима 2.
- **Трехпроводная система (два режима, общий отрицательный):** Подключите 3 провода питания к клеммам, как показано на схеме электрических

подключений (2 положительных провода и 1 общий отрицательный провод). Режим 1 активируется, когда питание подключено к положительным клеммам режима 1 и общей отрицательной клемме. Режим 2 активируется, когда питание подключено к положительным клеммам режима 2 и общей отрицательной клемме.

- **Четырехпроводная система (три режима, общий отрицательный):** Подключите 4 провода питания к клеммам, как показано на схеме электрических подключений (3 положительных провода и 1 общий отрицательный провод). Режим 1 активируется, когда питание подключено к положительным клеммам режима 1 и общей отрицательной клемме. Режим 2 активируется, когда питание подключено к положительным клеммам режима 2 и общей отрицательной клемме. Режим 3 активируется, когда питание подключено к положительным клеммам режима 3 и общей отрицательной клемме.

Все версии поставляются в комплекте с клеммами для обеспечения двухстороннего подключения (loop-in loop-out) проводов питания.

Примечание: Если для устройства, работающего с питанием напряжения постоянного тока, предусмотрен оконечный резистор, его устанавливают в качестве стандартного резистора между клеммами 5 и 6 в клеммной коробке класса защиты Ex d (см. ниже). Для создания прочих конфигураций измените место установки оконечного резистора согласно требованиям.

При установке оконечного резистора убедитесь, что зазор между телом резистора и клеммной коробкой составляет не менее 14 мм, а сам резистор не касается печатной платы или корпуса.

Ex d и Ex de – Работа с питанием напряжением постоянного тока, 3 режима, без мониторинга электрических соединений (типы 5 и 6)

КОНФИГУРАЦИЯ ДВЗВ ДЛЯ ПОСТОЯННОГО ТОКА С ОДНИМ РЕЖИМОМ			КОНФИГУРАЦИЯ ДВЗВ ДЛЯ ПОСТОЯННОГО ТОКА С ДВУМЯ РЕЖИМАМИ И ИЗМЕНЕННОЙ ПОЛЯРНОСТЬЮ		
	Ex d	Ex de		Ex d	Ex de
РЕЖИМ 1 ПОЛОЖ. ВХОД	1	1	РЕЖИМ 1 ПОЛОЖ. ВХОД / РЕЖИМ 2 ОТРИЦ. ВХОД	1	1
РЕЖИМ 1 ОТРИЦ. ВХОД	2	2	РЕЖИМ 1 ОТРИЦ. ВХОД / РЕЖИМ 2 ПОЛОЖ. ВХОД	2	2
НЕ ИСПОЛЬЗУЕТСЯ	3	3	НЕ ИСПОЛЬЗУЕТСЯ	3	3
НЕ ИСПОЛЬЗУЕТСЯ	4	4	НЕ ИСПОЛЬЗУЕТСЯ	4	4
РЕЖИМ 1 ПОЛОЖ. ВЫХОД	5	1	РЕЖИМ 1 ПОЛОЖ. ВЫХОД / РЕЖИМ 2 ОТРИЦ. ВЫХОД	5	1
РЕЖИМ 1 ОТРИЦ. ВЫХОД	6	2	РЕЖИМ 1 ОТРИЦ. ВЫХОД / РЕЖИМ 2 ПОЛОЖ. ВЫХОД	6	2
НЕ ИСПОЛЬЗУЕТСЯ	7	3	НЕ ИСПОЛЬЗУЕТСЯ	7	3
НЕ ИСПОЛЬЗУЕТСЯ	8	4	НЕ ИСПОЛЬЗУЕТСЯ	8	4

КОНФИГУРАЦИЯ ДВЗВ ДЛЯ ПОСТОЯННОГО ТОКА С ДВУМЯ РЕЖИМАМИ И ОБЩИМ ПЛЮСОМ			КОНФИГУРАЦИЯ ДВЗВ ДЛЯ ПОСТОЯННОГО ТОКА С ДВУМЯ РЕЖИМАМИ И ОБЩИМ МИНУСОМ			КОНФИГУРАЦИЯ ДВЗВ ДЛЯ ПОСТОЯННОГО ТОКА С ТРЕМЯ РЕЖИМАМИ И ОБЩИМ МИНУСОМ		
	Ex d	Ex de		Ex d	Ex de		Ex d	Ex de
ОБЩИЙ ПОЛОЖ. ВХОД	1	1	РЕЖИМ 1 ПОЛОЖ. ВХОД	1	1	РЕЖИМ 2 ПОЛОЖ. ВХОД	1	1
РЕЖИМ 1 ОТРИЦ. ВХОД	2	2	ОБЩИЙ ОТРИЦ. ВХОД	2	2	РЕЖИМ 3 ПОЛОЖ. ВХОД	2	2
НЕ ИСПОЛЬЗУЕТСЯ	3	3	НЕ ИСПОЛЬЗУЕТСЯ	3	3	РЕЖИМ 1 ПОЛОЖ. ВХОД	3	3
РЕЖИМ 2 ОТРИЦ. ВХОД	4	4	РЕЖИМ 2 ПОЛОЖ. ВХОД	4	4	ОБЩИЙ ОТРИЦ. ВХОД	4	4
ОБЩИЙ ПОЛОЖ. ВЫХОД	5	1	РЕЖИМ 1 ПОЛОЖ. ВЫХОД	5	1	РЕЖИМ 2 ПОЛОЖ. ВЫХОД	5	1
РЕЖИМ 1 ОТРИЦ. ВЫХОД	6	2	ОБЩИЙ ОТРИЦ. ВЫХОД	6	2	РЕЖИМ 3 ПОЛОЖ. ВЫХОД	6	2
НЕ ИСПОЛЬЗУЕТСЯ	7	3	НЕ ИСПОЛЬЗУЕТСЯ	7	3	РЕЖИМ 1 ПОЛОЖ. ВЫХОД	7	3
РЕЖИМ 2 ОТРИЦ. ВЫХОД	8	4	РЕЖИМ 2 ПОЛОЖ. ВЫХОД	8	4	ОБЩИЙ ОТРИЦ. ВЫХОД	8	4

Ex d и Ex de – Работа с питанием напряжением постоянного тока, с двумя режимами с общим плюсом и мониторингом (стандартная конфигурация) электрических соединений (типы 7 и 8)

Подключите до 4 проводов питания к клеммам, как показано на схеме электрических подключений. Режим 1 активируется, когда питание подключено к общей положительной клемме и отрицательным клеммам режима 1. Режим 2 активируется, когда питание подключено к общей положительной клемме и отрицательным клеммам режима 2.

Функционал мониторинга обеспечивается путем подключения проводов питания к клеммам M1 и M2.

Примечание: полярность клемм для мониторинга не установлена.

КОНФИГУРАЦИЯ DB3B ДЛЯ ПОСТОЯННОГО ТОКА С ДВУМЯ РЕЖИМАМИ И ОБЩИМ ПЛЮСОМ, С МОНИТОРИНГОМ		
	Ex d	Ex de
ОБЩИЙ ПОЛОЖ. / ВХОД M1	1	1
РЕЖИМ 1 ОТРИЦ. ВХОД	2	2
ВХОД M2	3	3
РЕЖИМ 2 ОТРИЦ. ВХОД	4	4
ОБЩИЙ ПОЛОЖ. / ВЫХОД M1	5	1
РЕЖИМ 1 ОТРИЦ. ВЫХОД	6	2
ВЫХОД M2	7	3
РЕЖИМ 2 ОТРИЦ. ВЫХОД	8	4

ФУНКЦИОНАЛ МОНИТОРИНГА ДОСТУПЕН ТОЛЬКО С УСТАНОВЛЕННЫМ РЕЗИСТОРОМ

Ex d и Ex de – Работа с питанием напряжением постоянного тока, до 3 режимов с функцией мониторинга (альтернативная конфигурация) электрических соединений (типы 9 и 10) или без нее

Примечание: Данная альтернативная конфигурация должна быть указана при заказе устройства.

Данный тип может быть подключен в качестве конфигурации с тремя режимами и общим отрицательным, или если указан оконечный резистор, доступный в качестве опции, существует возможность создания конфигурации системы с двумя режимами, общим отрицательным и мониторингом.

- **Четырехпроводная система (три режима, общий положительный):** Подключите 4 провода питания к клеммам, как показано на схеме электрических подключений. Режим 1 активируется, когда питание подключено к общей положительной клемме и отрицательным клеммам режима 1. Режим 2 активируется, когда питание подключено к общей положительной клемме и отрицательным клеммам режима 2. Режим 3 активируется, когда питание подключено к общей положительной клемме и отрицательным клеммам режима 3.
 - **Четырехпроводная система (два режима, общий отрицательный с мониторингом):** Подключите до 4 проводов питания к клеммам, как показано на схеме электрических подключений. Режим 1 активируется, когда питание подключено к общей отрицательной клемме и положительным клеммам режима 1. Режим 2 активируется, когда питание подключено к общей отрицательной клемме и положительным клеммам режима 2. Функционал мониторинга обеспечивается путем подключения проводов питания к клеммам M1 и M2.
- Примечание:** полярность клемм для мониторинга не установлена.

КОНФИГУРАЦИЯ DB3B ДЛЯ ПОСТОЯННОГО ТОКА С ТРЕМЯ РЕЖИМАМИ И ОБЩИМ ПЛЮСОМ		
	Ex d	Ex de
ОБЩИЙ ПОЛОЖ. ВХОД	1	1
РЕЖИМ 1 ОТРИЦ. ВХОД	2	2
РЕЖИМ 3 ОТРИЦ. ВХОД	3	3
РЕЖИМ 2 ОТРИЦ. ВХОД	4	4
ОБЩИЙ ПОЛОЖ. ВЫХОД	5	1
РЕЖИМ 1 ОТРИЦ. ВЫХОД	6	2
РЕЖИМ 3 ОТРИЦ. ВЫХОД	7	3
РЕЖИМ 2 ОТРИЦ. ВЫХОД	8	4

КОНФИГУРАЦИЯ DB3B ДЛЯ ПОСТОЯННОГО ТОКА С ДВУМЯ РЕЖИМАМИ И ОБЩИМ МИНУСОМ, С МОНИТОРИНГОМ		
	Ex d	Ex de
РЕЖИМ 2 ПОЛОЖ. ВХОД	1	1
ВХОД M1	2	2
РЕЖИМ 1 ПОЛОЖ. ВХОД	3	3
ОБЩИЙ ОТРИЦ. / ВХОД M2	4	4
РЕЖИМ 2 ПОЛОЖ. ВЫХОД	5	1
ВЫХОД M1	6	2
РЕЖИМ 1 ПОЛОЖ. ВЫХОД	7	3
ОБЩИЙ ОТРИЦ. / ВЫХОД M2	8	4

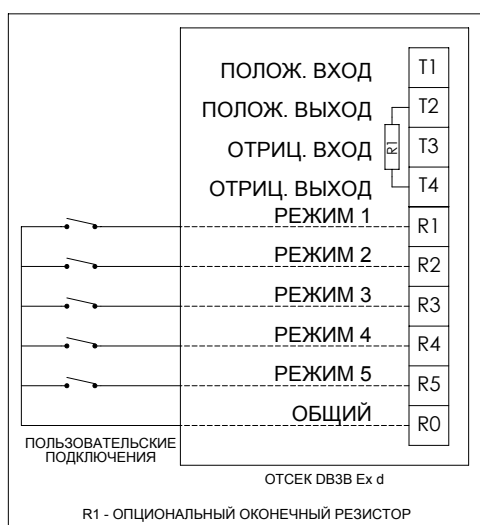
ФУНКЦИОНАЛ МОНИТОРИНГА ДОСТУПЕН ТОЛЬКО С УСТАНОВЛЕННЫМ РЕЗИСТОРОМ

Ex d – работа с напряжением питания постоянного тока, с беспотенциальными электрическими соединениями (тип 11)

Подключите провода плюса (+ve) и минуса (-ve) питания к клеммам, как показано на схеме электрических подключений. При подаче питания на устройство звук не воспроизводится. Подключите провода и дистанционные выключатели к клеммам R0 и R5, как показано на схеме. При замыкании переключателя, подключенного к R1, будет воспроизведен сигнал режима 1 согласно установкам на пятипозиционном DIP-переключателе в электронном блоке. При замыкании любого переключателя, подключенного к R2- R5, будет воспроизведен предварительно установленный сигнал для режимов 2-5. Подробно о предварительно установленных сигналах см. в таблице сигналов 2.

Примечание: При одновременном замыкании более чем одного переключателя сигнал не будет воспроизведен.

Если установлен резистор (R1), функция мониторинга обеспечивается при изменении полярности источника питания.

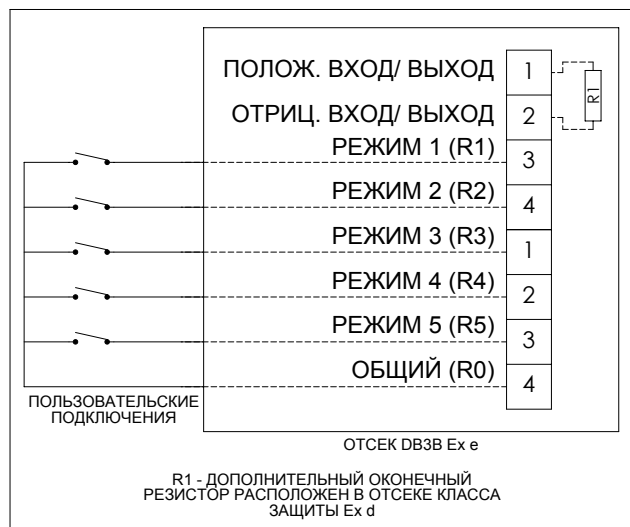


Ex de – работа с напряжением питания постоянного тока, с беспотенциальными электрическими соединениями (тип 12)

Подключите провода плюса (+ve) и минуса (-ve) питания к клеммам, как показано на схеме электрических подключений. При подаче питания на устройство звук не воспроизводится. Подключите провода и дистанционные выключатели к клеммам R0 и R5, как показано на схеме. При замыкании переключателя, подключенного к R1, будет воспроизведен сигнал режима 1 согласно установкам на пятипозиционном DIP-переключателе в электронном блоке. При замыкании любого переключателя, подключенного к R2- R5, будет воспроизведен предварительно установленный сигнал для режимов 2-5. Подробно о предварительно установленных сигналах см. в таблице сигналов 2.

Примечание: При одновременном замыкании более чем одного переключателя сигнал не будет воспроизведен.

Если установлен резистор (R1), функция мониторинга обеспечивается при изменении полярности источника питания.



4.0 Эксплуатация

Существует несколько версий данного звукового оповещателя с напряжением питания переменного тока, и одна - с напряжением питания постоянного тока.

В версиях для переменного тока номинальное рабочее напряжение указано в табличке на устройстве, а допустимое отклонение напряжения источника питания составляет +10%. В версиях для постоянного тока абсолютный диапазон напряжения питания составляет от 11,0 В пост. тока до 57,6 В пост. тока.

При использовании оконечного резистора с сопротивлением в диапазоне от 700 Ом до 2000 Ом максимальное напряжение должно быть ограничено 28,8 В постоянного тока, а при использовании оконечного резистора с сопротивлением в диапазоне от 470 Ом до 700 Ом максимальное напряжение должно быть ограничено 26 В постоянного тока.

Устройство оснащено регулятором громкости, который расположен на верхней стороне печатной платы электронного блока. Максимальная громкость достигается при повороте регулятора по часовой стрелке до упора. При повороте до упора против часовой стрелки устройство не будет издавать звук.

Предупреждение! Не пытайтесь поворачивать регулятор громкости за пределы его нормального хода, поскольку это может привести к поломке устройства.

Режимы

Во всех версиях для выбора необходимого режима используется пятипозиционный DIP-переключатель. Настройки стандартных режимов указаны в таблице ниже:

Таблица сигналов 1

№ ТОНА	Тональность/описание	Настройка Переключателя ТЕЛЯ 12345	Описание тона	Уровень звук давл (дБ (А) на расст.dont 1М)
1	Черед. с частотой 800/970 Гц с интервалом 1/4 с	11111		112
2	Переменный с частотами 800-970 Гц и частотой изменения 7 Гц	11110	Быстроменяющийся (НЧ)	111
3	Переменный с частотами 800-970 Гц и частотой изменения 1 Гц	11101	Средняя периодичность переключения (низкая частота - LF)	113
4	Непрерывный с частотой 2850 Гц	11100		111
5	Переменный с частотами 2400-2850 Гц и частотой изменения 7 Гц	11011	Быстроменяющийся	112
6	Переменный с частотами 2400-2850 Гц и частотой изменения 1 Гц	11010		113
7	Повторение сигнала с медленным повышением частоты	11001	Повторение сигнала с медленным повышением частоты	113
8	Переменный с частотами 1200-500 Гц и частотой изменения 1 Гц	11000	Звон	117
9	Черед. с частотой 2400/2850 Гц и частотой изменения 2 Гц	10111		111
10	Прерывистый с частотой 970 Гц и частотой изменения 1 Гц	10110	Аналогично сигналу заднего хода (низкая частота - LF)	112
11	Черед. с частотой 800/970 Гц и частотой изменения 7/8 Гц	10101		112
12	Прерывистый с частотой 2850 Гц и частотой изменения 1 Гц	10100	Аналогично сигналу заднего хода (высокая частота - HF)	112
13	970 Гц с периодом 1/4 с и паузой 1 с	10011		112
14	Непрерывный с частотой 970 Гц	10010		112
15	554 Гц в течение 0,1 с/440 Гц в течение 0,4 с	10001	Сигнал пожарной тревоги (стандарт Франции)	113
16	Прерывистый с частотой 660 Гц, вкл. 150 мс, выкл. 150 мс	10000	Сигнал пожарной тревоги (стандарт Швеции)	108
17	Прерывистый с частотой 660 Гц, вкл. 1,8 с, выкл. 1,8 с	01111	Сигнал пожарной тревоги (стандарт Швеции)	108
18	Прерывистый с частотой 660 Гц, вкл. 6,5 с, выкл. 13 с	01110	Сигнал пожарной тревоги (стандарт Швеции)	109
19	Непрерывный с частотой 660 Гц	01101	Сигнал пожарной тревоги (стандарт Швеции)	108
20	Переменный с переключением частот 554/440 Гц и частотой изменения 1 Гц	01100	Сигнал пожарной тревоги (стандарт Швеции)	113
21	Прерывистый с частотой 660 Гц и частотой изменения 7/8 Гц	01011	Сигнал пожарной тревоги (стандарт Швеции)	108
22	Прерывистый с частотой 2850 Гц, вкл. 150 мс, выкл. 100 мс	01010	Пешеходный переход «пеликан» (регулируемый пешеходами)	111
23	Переменный с частотами 800-970 Гц и частотой изменения 50 Гц	01001	Низкочастотный звонок	109
24	Переменный с модуляцией частот 2400-2850 Гц и частотой изменения 50 Гц	01000	Высокочастотный звонок	111
25	Серия из 3 сигналов с частотой 970 Гц с паузами 0,5 и 1,5	00111		112
26	Серия из 3 сигналов с частотой 2850 Гц, вкл. 0,5/выкл. 0,5, пауза между сериями 1,5	00110		112
27	Прерывистый с частотой 3100 Гц вкл. 0,32 с/выкл. 0,68 с	00101		105
28	Непрерывный с частотой 1400 Гц	00100		125
29	Дополнительный / Пользовательский сигнал	00011		
30	Дополнительный / Пользовательский сигнал	00010		
31	Дополнительный / Пользовательский сигнал	00001		
32	Дополнительный / Пользовательский сигнал	00000		

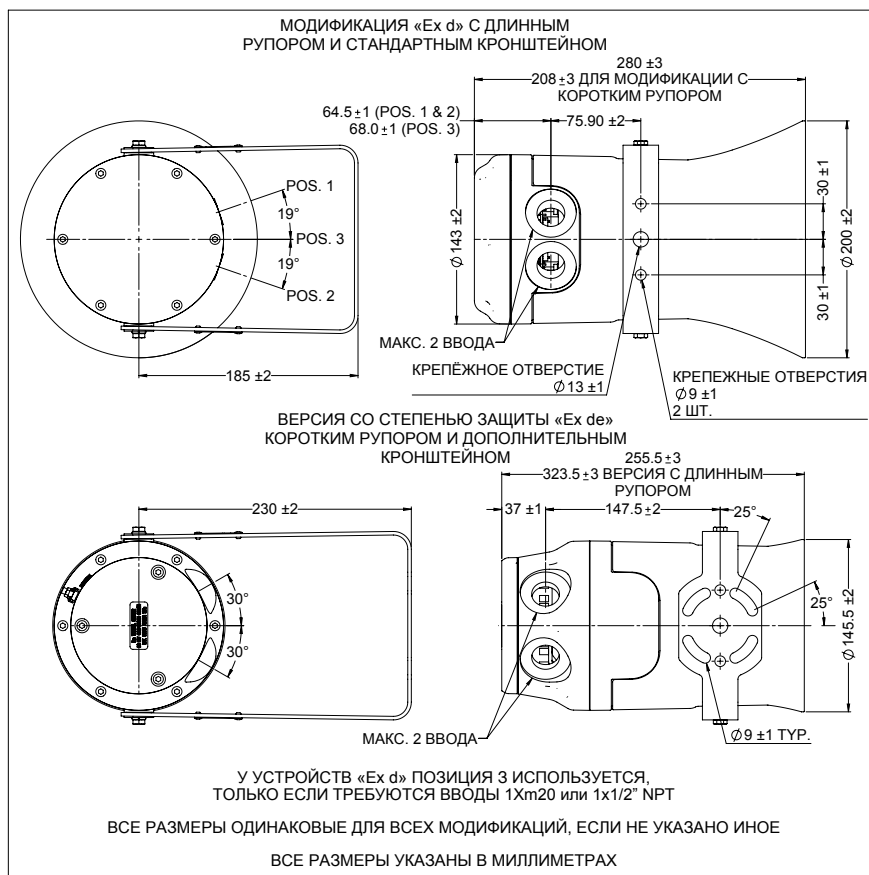
Примечание: Если в заказе были указаны специальные сигналы, см. описание данных сигналов и соответствующие настройки переключателя в списке дополнительных сигналов, поставляемом в комплекте с устройством.

* = уровень звука в соответствии с требованиями стандарта EN54-3. Данные по особым значениям уровня звука для соответствия EN54-3 см. в разделе 9.

Таблица сигналов 2: Описание предварительно установленных сигналов для режимов с активацией путем беспотенциальных соединений

Номер ТОНА	Тональность/описание	Настройка Переключателя ТЕЛЯ 12345	№ сигнала при беспотенциальном выборе режима				Переменный ток
			Постоянный ток	Режим 2	Режим 3	Режим 4	
Режим 1			Режим 2	Режим 3	Режим 4	Режим 5	Режим 2
1	Переменный с переключением частот 800/970 Гц с периодом 1/4 с	11111	T14	T10	T11	T8	T14
2	Переменный с частотами 800-970 Гц и частотой изменения 7 Гц	11110	T14	T10	T1	T8	T14
3	Переменный с частотами 800-970 Гц и частотой изменения 1 Гц	11101	T14	T10	T1	T8	T14
4	Непрерывный с частотой 2850 Гц	11100	T14	T10	T1	T8	T14
5	Переменный с частотами 2400-2850 Гц и частотой изменения 7 Гц	11011	T14	T10	T1	T8	T14
6	Переменный с частотами 2400-2850 Гц и частотой изменения 1 Гц	11010	T14	T10	T1	T8	T14
7	Повторение сигнала с медленным повышением частоты	11001	T14	T10	T1	T8	T14
8	Переменный с частотами 1200-500 Гц и частотой изменения 1 Гц	11000	T14	T10	T1	T6	T14
9	Переменный с переключением частот 2400/2850 Гц и частотой изменения 2 Гц	10111	T14	T10	T1	T8	T14
10	Прерывистый с частотой 970 Гц и частотой изменения 1 Гц	10110	T14	T12	T1	T8	T14
11	Переменный с переключением частот 800/970 Гц и частотой изменения 7/8 Гц	10101	T14	T10	T1	T8	T14
12	Прерывистый с частотой 2850 Гц и частотой изменения 1 Гц	10100	T14	T10	T1	T8	T14
13	970 Гц с периодом 1/4 с и паузой 1 с	10011	T14	T10	T1	T8	T14
14	Непрерывный с частотой 970 Гц	10010	T28	T10	T1	T8	T28
15	554 Гц в течение 0,1 с/440 Гц в течение 0,4 с	10001	T14	T10	T1	T8	T14
16	Прерывистый с частотой 660 Гц, вкл. 150 мс, выкл. 150 мс	10000	T14	T10	T1	T8	T14
17	Прерывистый с частотой 660 Гц, вкл. 1,8 с, выкл. 1,8 с	01111	T14	T10	T1	T8	T14
18	Прерывистый с частотой 660 Гц, вкл. 6,5 с, выкл. 13 с	01110	T14	T10	T1	T8	T14
19	Непрерывный с частотой 660 Гц	01101	T14	T10	T1	T8	T14
20	Переменный с переключением частот 554/440 Гц и частотой изменения 1 Гц	01100	T14	T10	T1	T8	T14
21	Прерывистый с частотой 660 Гц и частотой изменения 7/8 Гц	01011	T14	T10	T1	T8	T14
22	Прерывистый с частотой 2850 Гц, вкл. 150 мс, выкл. 100 мс	01010	T14	T10	T1	T8	T14
23	Переменный с частотами 800-970 Гц и частотой изменения 50 Гц	01001	T14	T10	T1	T8	T14
24	Переменный с частотами 2400-2850 Гц и частотой изменения 50 Гц	01000	T14	T10	T1	T8	T14
25	Серия из 3 сигналов с частотой 970 Гц с паузами 0,5 1,5	00111	T14	T10	T1	T8	T14
26	Серия из 3 сигналов с частотой 2850 Гц, вкл. 0,5/выкл. 0,5, пауза между сериями 1,5	00110	T14	T10	T1	T8	T14
27	Прерывистый с частотой 3100 Гц, вкл. 0,32 с/ выкл. 0,68 с	00101	T14	T10	T1	T8	T14
28	Непрерывный с частотой 1400 Гц	00100	T14	T10	T1	T8	T14
29	Дополнительный / Пользовательский сигнал	00011					
30	Дополнительный / Пользовательский сигнал	00010					
31	Дополнительный / Пользовательский сигнал	00001					
32	Дополнительный / Пользовательский сигнал	00000					

Общим вид устройства



5.0 Техническое обслуживание

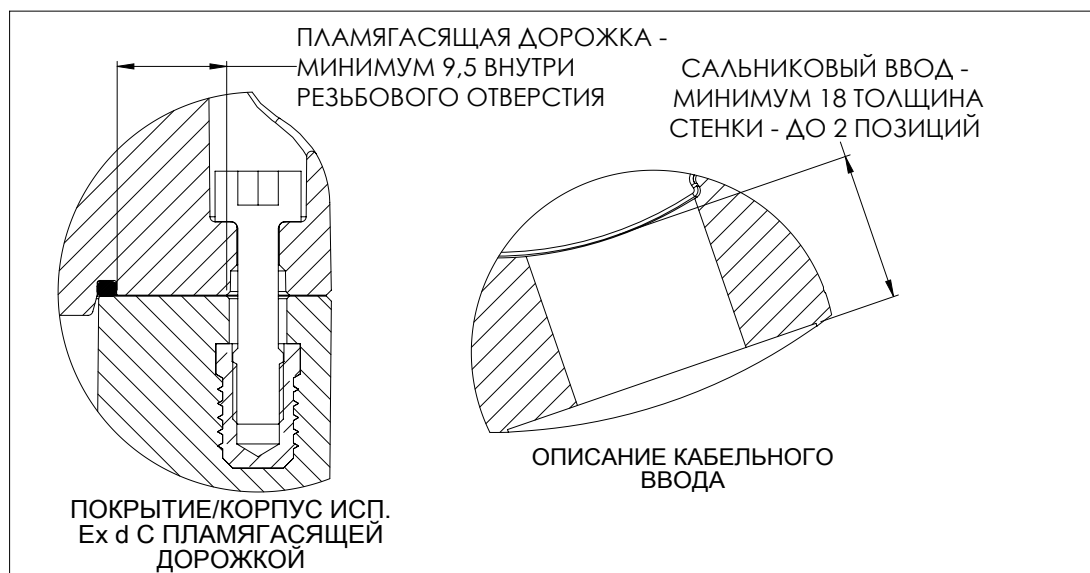
Данное устройство в течение своего срока эксплуатации практически или совершенно не требует технического обслуживания. Армированный стеклопластик устойчив к воздействию большинства кислот, щелочей и химикатов, и обладает такой же устойчивостью к концентрированным кислотам и щелочам, как большинство металлических изделий.

Однако при возникновении аномальных или необычных

условий окружающей среды в связи с произошедшей аварией, чрезвычайным происшествием и т. п., рекомендуется провести контрольный осмотр.

Описание взрывозащищенных соединений в устройстве см. на схеме ниже. **ВНИМАНИЕ!** – Перечисленные ниже взрывозащищенные соединения ремонту не подлежат.

При



проведении наружной очистки устройства во избежание образования статического заряда следует использовать только влажную ветошь. В случае отказа устройство можно отправить на ремонт в компанию MEDC.

При приобретении значительного количества данных устройств рекомендуется приобрести и запасные части к ним. Конкретные требования следует обсуждать с инженерами отдела продаж компании MEDC.

6.0 Сертификация/разрешения

Устройства с сертификацией IECEx

Устройства, сертифицированные для работы в ПРИСУТСТВИИ газов (G)

Соответствует требованиям IEC60079-0, IEC60079-1 и IEC60079-7

Устройство Ex d IIC (сертификация IEC, № IECEx BAS 13.0112X)
Ex db IIC T_G (T_{окр.}) Gb

Устройство Ex de IIC (сертификация IEC, № IECEx BAS 13.0114X)
Ex db eb IIC T_G (T_{окр.}) Gb

Для ознакомления с безопасными диапазонами температуры и классами T смотрите особые условия.

В сертификате IECEx и на паспортной табличке изделия указывается уровень защищённости оборудования IECEx:

Gb

Обозначение Gb указывает на пригодность для использования в промышленных зонах категории 1 с присутствием газов.

Устройства, сертифицированные для работы в присутствии газов и пыли (GD)

Соответствует требованиям IEC60079-0, IEC60079-1, IEC60079-7 и IEC60079-31

Устройство Ex d IIIC (сертификация IEC, № IECEx BAS 13.0113X)
Ex db IIC T_G (T_{окр.}) Gb
Ex tb IIIC T_D (T_{окр.}) Db IP6X

Устройство Ex de IIIC (сертификация IEC, № IECEx BAS 13.0115X)
Ex db eb IIC TG (T_{окр.}) Gb
Ex tb IIIC TD (T_{окр.}) Db IP65/66*

*в зависимости от типа наружного рупора (короткий внешний рог - IP65, длинный наружный рог - IP66)

Для ознакомления с безопасными диапазонами температуры и классами T смотрите особые условия.

В сертификате IECEx и на паспортной табличке изделия указывается уровень защищённости оборудования IECEx:

Gb и Db

Обозначение Gb указывает на пригодность для использования в промышленных зонах категории 1 с присутствием газов

Db означает пригодность для использования в наземных промышленных зонах категории 21 в присутствии пыли.

Устройства с сертификацией ATEX

Устройства, сертифицированные для работы в присутствии газов (G)

Соответствует требованиям EN60079-0, EN60079-1 и EN60079-7

Устройство Ex d IIC (сертификация ATEX, № Baseefa13ATEX0229X)
Ex db IIC T_G (T_{окр.}) Gb

Устройство Ex de IIC (сертификация ATEX, № Baseefa13ATEX0232X)
Ex db eb IIC T_G (T_{окр.}) Gb

Для ознакомления с безопасными диапазонами температуры и классами T смотрите особые условия. В сертификате ATEX и на паспортной табличке изделия указывается группа и категория ATEX:

 II 2 G

Где:

- II Означает соответствие требованиям стандарта ATEX
- Означает пригодность для применения в наземных промышленных условиях
- 2 Означает пригодность для применения в зонах категории 1
- G Означает пригодность для применения в присутствии газов

Устройства, сертифицированные для работы в присутствии газов и пыли (GD)

Соответствует требованиям EN60079-0, EN60079-1, EN60079-7 и EN60079-31

Устройство Ex d IIIC (сертификация ATEX, № Baseefa13ATEX0231X)
Ex db IIC T_G (T_{окр.}) Gb
Ex tb IIIC T_D (T_{окр.}) Db IP6X

Устройство Ex de IIIC (сертификация ATEX, № Baseefa13ATEX0233X)
Ex db eb IIC TG (T_{окр.}) Gb
Ex tb IIIC T_D (T_{окр.}) Db IP65/66*


*в зависимости от типа наружного рупора (короткий внешний рог - IP65, длинный наружный рог - IP66)

Для ознакомления с безопасными диапазонами температуры и классами T смотрите особые условия.

В сертификате ATEX и на паспортной табличке изделия указывается группа и категория ATEX:

 II 2 GD

Где:

-  II Означает соответствие требованиям стандарта ATEX
- II Означает пригодность для применения в наземных промышленных условиях
- 2 Означает пригодность для применения в зонах категории 1
- G Означает пригодность для применения в присутствии газов
- D Означает пригодность для применения в случае присутствия пыли

На данные устройства были также получены следующие разрешительные документы:

Степень защиты, обеспечиваемая оболочкой: Клеммные коробки «Ex d» и «Ex e» — IP66 и IP67 в соотв. с IEC60529.

EN54-3 Система пожарной сигнализации – звуковой оповещатель (11-57,6 В пост. тока, абс.)

Для использования вне помещений, окр. среда – тип В

Темп. окр. среды от -25 до +70 °С

Класс защиты IP33C согласно BS EN 60529:1992



Это указывает на соответствие устройства актуальным европейским нормативам, в данном случае – 305/2011, а также на название и номер уполномоченного органа, выдающего сертификат соответствия.

7.0 Специальные условия безопасной эксплуатации

a) Тип DB3B класса защиты Ex d:

IECEX BAS 13.0112X, IECEX BAS 13.0113X,
Baseefa13ATEX0229X и Baseefa13ATEX0231X

1. В случае замены винты для крепления крышки должны быть сделаны из нержавеющей стали класса A2-70 или крепче.
2. Запрещается использовать лакокрасочные материалы, отличные от использованных изготовителем.
3. При использовании устройства в запылённой атмосфере (только устройства категории GD) уплотнения используемых кабельных вводов должны обеспечивать степень защиты IP6X в соответствии с применимыми требованиями к установке.
4. Данное устройство пригодно для использования только при следующих температурах окружающей среды.

Макс. мощность	T _{окр.}	T _г	T _д
15 Вт	-55°C ... +85°C	T4	T135°C
	-55°C ... +55°C	T5	T100°C
	-55°C ... +40°C	T6	T85°C

b) Тип DB3B класса защиты Ex de:

IECEX BAS 13.0114X, IECEX BAS 13.0115X,
Baseefa13ATEX0232X и Baseefa13ATEX0233X

1. В случае замены винты для крепления крышки должны быть сделаны из нержавеющей стали класса A2-70 или крепче.
2. Запрещается использовать лакокрасочные материалы, отличные от использованных изготовителем.
3. К каждой стороне любой клеммы разрешается подключать не более одного одно- или многожильного проводника, кроме случаев, когда несколько проводников соединены надлежащим способом, например, два проводника в одном изолированном цилиндрическом наконечнике.
4. Изоляция проводников, подсоединяемых к клеммам, должна быть рассчитана на напряжение не менее 275 В. Изоляция должна закрывать прилб. 1 мм жилы, вставляемой в клемму.

5. Минимальное расстояние для утечки тока и зазоры между клеммами и прилегающими проводящими частями (включая части кабельного ввода) должны быть не менее 6 мм.
6. Все винты клемм, как используемых, так и неиспользуемых, должны быть полностью затянуты.
7. При использовании устройства в запылённой атмосфере (только устройства категории GD) уплотнения используемых кабельных вводов должны обеспечивать степень защиты IP6X в соответствии с применимыми требованиями к установке.
8. Если используется дополнительное внутреннее заземление, то материал, из которого оно изготовлено, должен быть устойчив к коррозии.
9. Данное устройство пригодно для использования только при следующих температурах окружающей среды:

Макс. мощность	T _{окр.}	T _г	T _д
15 Вт	-50°C ... +85°C	T4	T135°C
	-50°C ... +55°C	T5	T100°C
	-50°C ... +40°C	T6	T85°C

8.0 Функциональная безопасность

Описание

Звуковой оповещатель DB3B предназначен для использования в потенциально взрывоопасных средах и суровых условиях окружающей среды. Корпуса из полиэфира, армированного стекловолокном, пригодны для использования в континентальном и морском климате, где требуется сочетание малого веса и высокой коррозионной стойкости.

Функцией звукового оповещателя как средства обеспечения безопасности является подача заранее определенного звукового предупреждения в случае необходимости, если на устройство подается надлежащее напряжение. Версия звукового оповещателя для постоянного тока предназначена для эксплуатации при напряжении источника питания 12-48 В постоянного тока.

В безотказных (нормальных) условиях работы звуковой оповещатель DB3 подаст звуковое предупреждение, когда этого потребует система.

В условиях неисправности режим отказа означает, что звуковой оповещатель не смог подать звуковое предупреждение. Частота отказов указана в таблице ниже.

Оценка функциональной безопасности

Данный звуковой оповещатель предназначен для использования в системах безопасности, отвечающих требованиям стандарта IEC61508. Компания UL провела анализ последствий и диагностики режимов отказов (FMEDA) звукового оповещателя DB3B в соответствии с требованиями стандарта МЭК 61508-2 с интервалом контрольных испытаний 8760 часов.

Результаты испытаний с применением способа 1Ж представлены ниже.

Данный звуковой оповещатель классифицируется как устройство типа В.

Звуковой оповещатель DB3B

Функция обеспечения безопасности звукового оповещателя DB3B:
Подача заранее определенного звукового предупреждения в случае необходимости

Сводка по статьям 2/7.4.2 и 2/7.4.4		Звуковой оповещатель DB3B	Звуковой оповещатель DB3B	Результат
Архитектурные ограничения Доля безопасных отказов (SFF)		Обиочный режим (1 из 1)	Режим с резервированием (1 из 2)	
		HFT = 0 65,9 %	HFT = 1 65,9 %	Тип В SIL 1 (1 из 1) SIL 2(1 из 2)
Случайные отказы оборудования: [ч ⁻¹]	λ_{DD} λ_{DU}	6,5E+09 1,16E-07	6,5E+10 1,16E-08	
Случайные отказы оборудования: [ч ⁻¹]	λ_{SD} λ_{SU}	0,00E+00 2,18E-07	0,00E+00 2,18E-08	
PFD при PT1 = 8760 ч MTTR (средняя наработка до ремонта) = 8 ч		5,09E-04	5,09E-05	SIL 3(1 из 1)
Средняя частота опасных отказов (высокая частота запросов, вероятность возникновения отказа в течение часа) [ч ⁻¹]		1,16E-07	1,16E-08	SIL 2(1 из 1)
Соответствие полноте безопасности аппаратных средств		Способ 1 _H		
Соответствие уровню безопасности системы		Способ 1 _S		
Систематическая способность (SC1, SC2, SC3, SC4)		SC2		
Достигнутая полнота безопасности аппаратных средств		Ограничено: уровнями SIL 1 (1 из 1) и SIL 2 (1 из 2) ввиду доли безопасных отказов (SFF).		



Условия безопасной эксплуатации

Следующие требования применяются к установке, эксплуатации и техническому обслуживанию описанного оборудования. Несоблюдение данных условий может нарушить полноту безопасности данного оборудования.

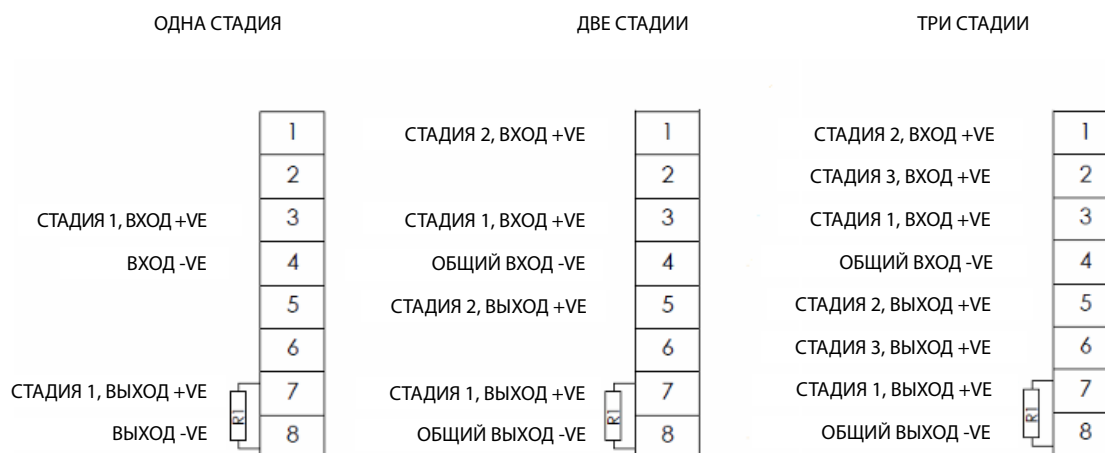
1. Пользователь обязан соблюдать все требования, изложенные в пользовательской документации, предоставленной изготовителем (данное руководство по безопасности и техническое руководство), связанные с соответствующими аспектами функциональной безопасности, такими как сфера применения, установка, эксплуатация, обслуживание, контрольные испытания, максимально допустимые значения, условия окружающей среды, ремонт и т.д.
2. Выбор данного оборудования для реализации защитных функций, а также установка, конфигурация, общая проверка соответствия, обслуживание и ремонт должны осуществляться исключительно компетентным персоналом с учетом всех условий и рекомендаций изготовителя, указанных в пользовательской документации.
3. **Вся информация, связанная с любыми эксплуатационными отказами данного изделия, должна собираться в рамках процесса управления надежностью (например, МЭК 60300-3-2) и передаваться изготовителю.**

4. Для обнаружения неисправностей необходимо регулярно проводить испытания данного устройства в соответствии с данным руководством по безопасности.
5. Если данное изделие используется в установке с резервированием, то необходимо обеспечить уровень SIL 2 полноты безопасности аппаратных средств и полноты безопасности, касающейся систематических отказов. В данной установке должна быть обеспечена надлежащая защита от отказов по общей причине и независимость от каскадных отказов.

9.0 Продукт с сертификатом EN54-3

Схема подключения

Версия, сертифицированная по стандарту EN54-3, может подключаться только для одной стадии оповещения (2 провода), только для двух стадий с общим минусом (3 провода) или для трех стадий с общим минусом (4 провода) по приведенным ниже схемам.



Данные по уровню звука в соответствии со стандартом EN54-3

	Угол	Минимальная громкость, дБ(А)			
		Горизонтальная плоскость		Вертикальная плоскость	
		Макс. 58 В	Мин. 11 В	Макс. 58 В	Мин. 11 В
УРОВЕНЬ ЗВУКА 3	15°	97,9	96,7	97,9	98,5
	45°	102,2	100,7	101,2	99,6
	75°	110,2	109,2	110,0	108,9
	105°	110,2	109,3	110,6	109,5
	135°	103,4	102,0	104,8	103,3
	165°	98,4	97,4	99,6	98,5
УРОВЕНЬ ЗВУКА 7	15°	98,0	96,7	97,7	96,5
	45°	104,1	102,3	103,8	102,1
	75°	110,1	108,9	109,9	108,7
	105°	110,1	108,9	110,4	109,3
	135°	103,6	101,9	104,8	103,2
	165°	98,2	96,7	99,5	98,3
УРОВЕНЬ ЗВУКА 8	15°	98,3	97,2	97,2	96,1
	45°	104,7	103,5	104,7	103,5
	75°	109,2	108,2	108,9	107,9
	105°	109,1	108,1	109,5	108,5
	135°	103,3	101,9	103,8	102,5
	165°	97,5	96,4	98,7	97,7
УРОВЕНЬ ЗВУКА 15	15°	94,9	93,3	94,4	92,7
	45°	100,7	99,1	100,1	98,4
	75°	103,6	102,0	103,0	101,3
	105°	103,2	101,6	103,8	101,9
	135°	99,1	97,5	100,0	98,3
	165°	94,6	93,0	95,3	93,5
УРОВЕНЬ ЗВУКА 19	15°	99,0	98,2	98,5	97,6
	45°	98,4	97,6	93,6	92,7
	75°	110,9	110,1	110,2	109,2
	105°	110,7	110,0	110,5	109,6
	135°	102,3	101,5	103,6	102,6
	165°	98,4	97,7	99,8	98,8
УРОВЕНЬ ЗВУКА 20	15°	95,0	93,3	94,9	93,4
	45°	101,5	99,8	101,9	100,5
	75°	104,2	102,4	103,4	102,0
	105°	104,4	102,6	105,1	103,6
	135°	99,2	97,5	99,8	98,3
	165°	96,1	94,4	96,9	95,5

