

Turbines, Inc.'s Model HP TM 0200, 2" High Pressure Liquid Turbine Flow Meter. Real solutions for landbased or offshore oilfield services.

- **LONG SERVICE LIFE IN THE MOST EXTREME APPLICATIONS**
- **LOW COST**
- **LOW MAINTENANCE**

Specifically designed to withstand the rugged conditions of the oilfield environment, Turbines, Inc.'s Model HP TM 0200, 2" High Pressure Liquid Turbine Flow Meter, is the ideal solution for extreme applications requiring longevity and durability.

Based on technology that has proven itself for more than 40 years, Turbines, Inc.'s flow meters have been updated in design, materials and manufacturing for increased accuracy and reliability.

Each Model HP TM 0200, 2" High Pressure Liquid Turbine Flow Meter, is designed and manufactured in the U.S.A. and factory tested and calibrated to the highest standards.

Standard features include direct connection to WECO®, API® or other hammer union style high pressure hubs, working pressures to 15,000 psig (based on end connection used), stainless steel construction, tungsten carbide bearings, pickup coil and +/- 1% accuracy.

When reliable local output for instantaneous or total flow is necessary, match the Model HP TM 0200, 2" High Pressure Liquid Turbine Flow Meter, with one of our rugged, durable, low cost monitors for an ideal solution to the demands of many oilfield applications on land or offshore.

Turbines, Inc. Accurate measurement. Significant savings. Fast delivery.



Applications –

- *Coil Tubing Services*
- *Fracturing*
- *Water Treatment*
- *Cementing*
- *Flow Back*

For pricing and other information, email Karen@TurbinesIncorporated.com or phone **1-800-809-1387**

Founded in 1975, Turbines, Inc. designs and manufactures turbine-type flow meters, monitors and related equipment used in a variety of industries. The company operates facilities in Altus, OK, Seneca, SC, Midland-Odessa, TX and Edmonton, Alberta, Canada. The Turbines, Inc. companies are affiliated with Primary Flow Signal, Inc., which designs and manufactures differential producer metering equipment and accessories for measuring liquid, gas and steam flow for a wide variety of applications worldwide.

T Turbines, Inc.
Real solutions for the real world™

15935 US HWY 283 N
Altus, OK 73522
580-477-3067
www.turbinesincorporated.com



Our quality management system is registered to ISO 9001 and AS:9100 compliant



Proudly made in the USA

STANDARD FEATURES

- Linear output over normal range
- NIST traceable
- Flow range from 40 to 400 GPM
- Factory tested
- Mates to WEICO®, API® or other hammer union style high pressure hubs



SPECIFICATIONS

Materials of Construction:

Housing > A286 Stainless steel
Bearing > Tungsten carbide
Supports > 316 Stainless steel

Temperature Range:

-100 to 300° F

Mates with End Fittings:

1502 (15,000 psig)
2002 (2,000 psig)

Repeatability:

+/- .10 %

Linearity:

+/- 1.0%

Electrical Output:

30mV p-p @ minimum flow

RETROFIT KITS

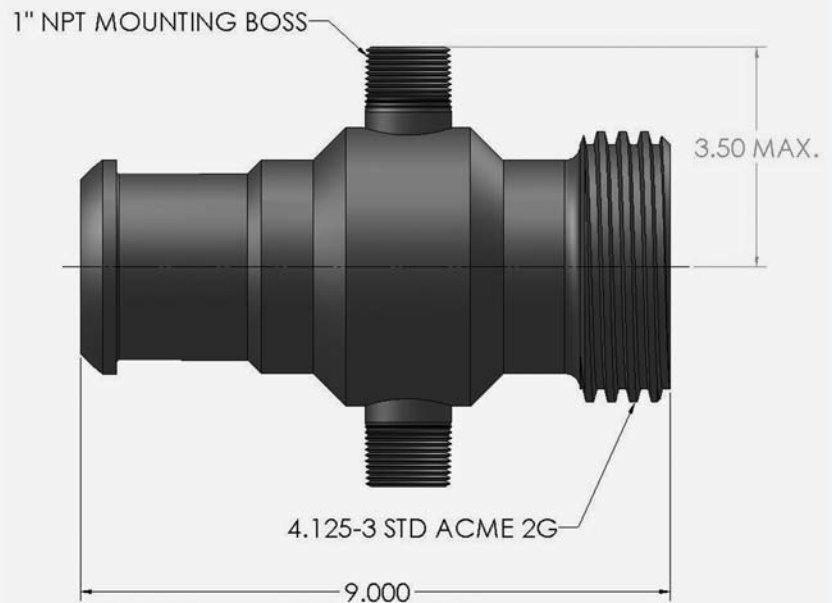
Turbines, Inc. offers extremely cost-effective retrofit replacement kits that can be easily installed to avoid time-consuming delays with meter repairs. In addition, factory refurbishment with a 5 day turnaround time guaranteed is available that includes freight, the retrofit kit, shop labor and new calibrated k-factor.



INSTALLATION NOTES

1. Magnetic pickup coil included with each turbine meter at no extra charge
2. Turbine meter is only linear and accurate over its designed operating range
3. Turbine meter safety factor 2:1
4. Recommended piping installation: 10 diameters upstream & 5 diameters downstream of the flow meter
5. Locate valves or chokes downstream of the flow meter
6. For best meter performance and to avoid bearing wear, do not exceed maximum rated flow for long periods of time
7. Consult factory for warranty details

SIZING: MODEL HP TM 0200



Western and Central US

Turbines, Inc.

15935 US HWY 283 N

Altus, OK 73522

PH: 580-477-3067

FX: 580-477-3071

Email:

Karen@TurbinesIncorporated.com

www.TurbinesIncorporated.com

Turbines Inc. – Odessa, LLC

2174 West 42nd Street

Odessa, TX 79764

PH: 432-366-6500

FX: 432-366-6501

Email:

DWagner@PrimaryFlowSignal.com

www.TurbinesIncorporated.com

Eastern US and International

Turbines R&D, LLC

112 Lumber Lane

Seneca, SC 29672

PH: 864-882-4544

FX: 864-882-4457

Email:

Terrie.N@TurbinesIncorporated.com

www.TurbinesIncorporated.com

Canada

Primary Flow Signal – Canada

4003-97th Street

Edmonton, ALB T6E5Y5

PH: 877-661-3569

FX: 780-433-7129

Email:

John@PrimaryFlowSignal.com

www.PrimaryFlowSignal.com