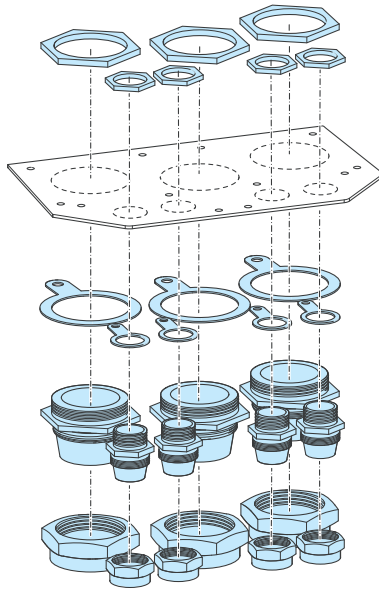


ABB DRIVES

UK gland plate (+H358) ACS880-11, ACS880-31, ACH580-31, ACQ580-31

Installation guide



Installation guide

UK gland plate (+H358)

ACS880-11, ACS880-31, ACH580-31, ACQ580-31

Table of contents



Table of contents

1. Installation with option +H358 UK gland plate

Safety instructions	7
Introduction to the guide	7
Applicability	7
Target audience	7
Contents of the guide	8
Related manuals	8
Abbreviations	9
Removing the standard bottom plate and power cable shelf from the drive	9
Making holes into the UK gland plate	12
Installing the SWA glands	13
SWA gland kit parts	13
Required tools	13
Installing the SWA gland over a power cable	14
Installing the SWA gland over a control cable	19
Attaching the UK gland plate to the drive	20
Connecting the power cables	22



6 *Table of contents*



1

Installation with option +H358 UK gland plate

Safety instructions

Obey all safety instructions of the drive. Read the safety instructions before you install, start up, or use the drive. See the hardware manual.

Introduction to the guide

■ Applicability

This guide is applicable to ACS880-11, ACS880-31, ACH580-31 and ACQ580-31 drives with option +H358 UK gland plate. The instructions are valid for degree of protection of IP21 and IP55.

This guide is a supplement to the hardware manual.

■ Target audience

This supplement is intended for people who plan the installation, install, start up, use and service the drive. Read the supplement before you do work on the drive. You are expected to know the fundamentals of electricity, wiring, electrical components and electrical schematic symbols.

■ Contents of the guide

This guide contains installation instructions on how to

- remove the standard bottom plate and power cable shelf from the drive
- install SWA cable glands over the power and control cables
- install SWA cable glands to the UK gland plate
- install the UK gland plate to the drive
- connect the power cables to the drive.

For other instructions, see the drive hardware manual.

■ Related manuals

Drive hardware manuals and guides	Code (English)
<i>UK gland plate (+H358) installation guide</i>	3AXD50000045932
<i>ACS880-11 hardware manual</i>	3AXD50000045933
<i>ACS880-31 hardware manual</i>	3AXD50000037066
<i>ACH580-31 hardware manual</i>	3AXD50000045935
<i>ACQ580-31 hardware manual</i>	3AXD50000048138
<i>ACS880-11 quick installation guide</i>	3AXD50000048171
<i>ACS880-31 quick installation guide</i>	3AXD50000048001
<i>ACH580-31 quick installation guide</i>	3AXD50000049859
<i>ACQ580-31 quick installation guide</i>	3AXD50000110711

You can find manuals on the Internet. See www.abb.com/drives/documents. For manuals not available in the document library, contact your local ABB representative.

The code below opens an on-line listing of the manuals applicable to the product.



[ACS880-11 manuals](#)



[ACH580-31 manuals](#)



[ACS880-31 manuals](#)



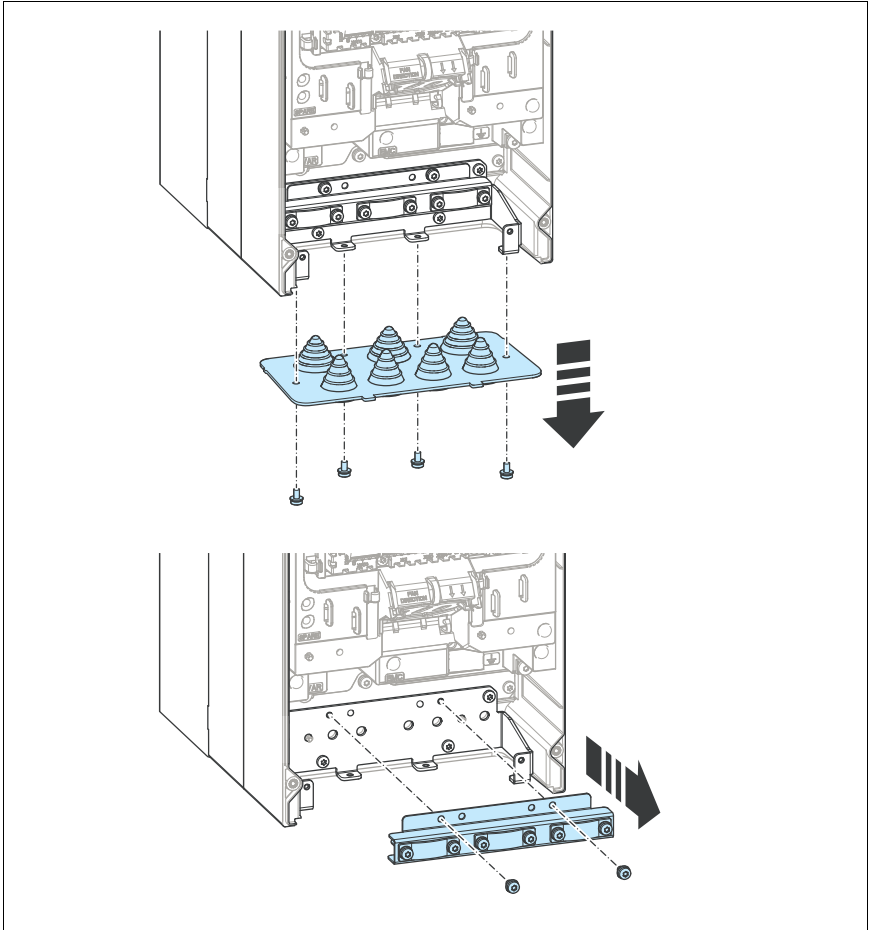
[ACQ580-31 manuals](#)

■ Abbreviations

SWA cable = Steel wire armoured cable

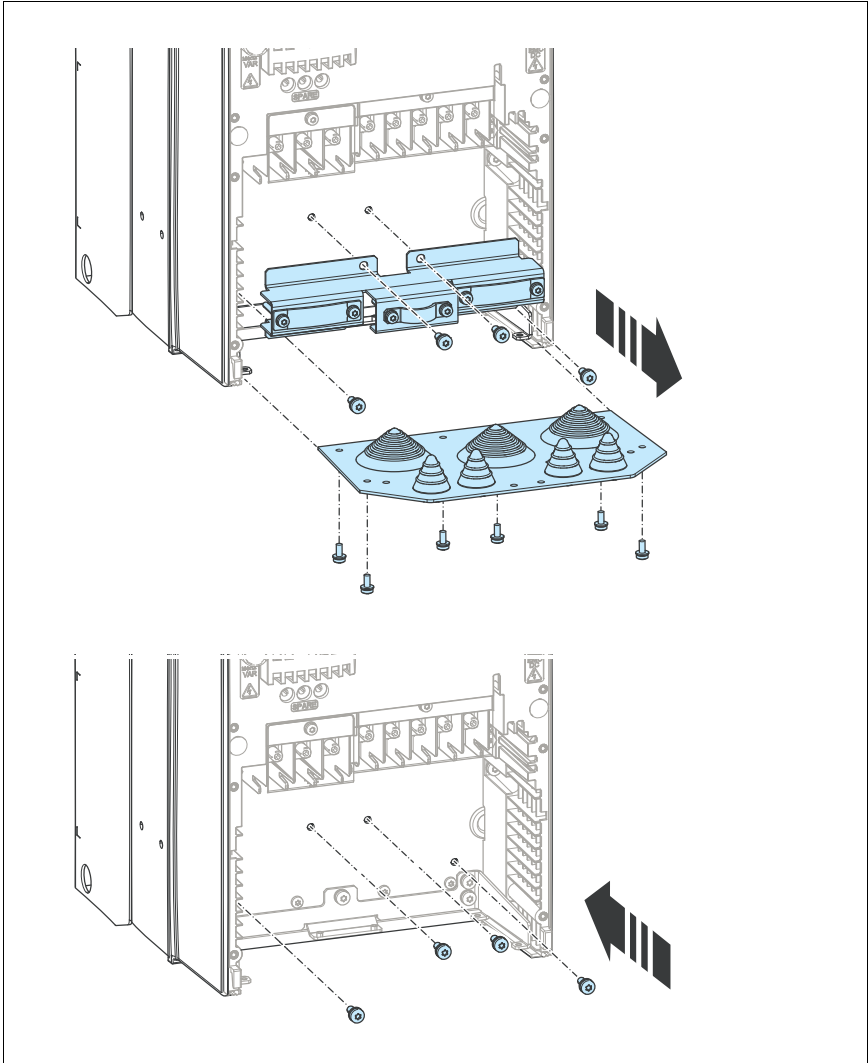
Removing the standard bottom plate and power cable shelf from the drive

1. R3:

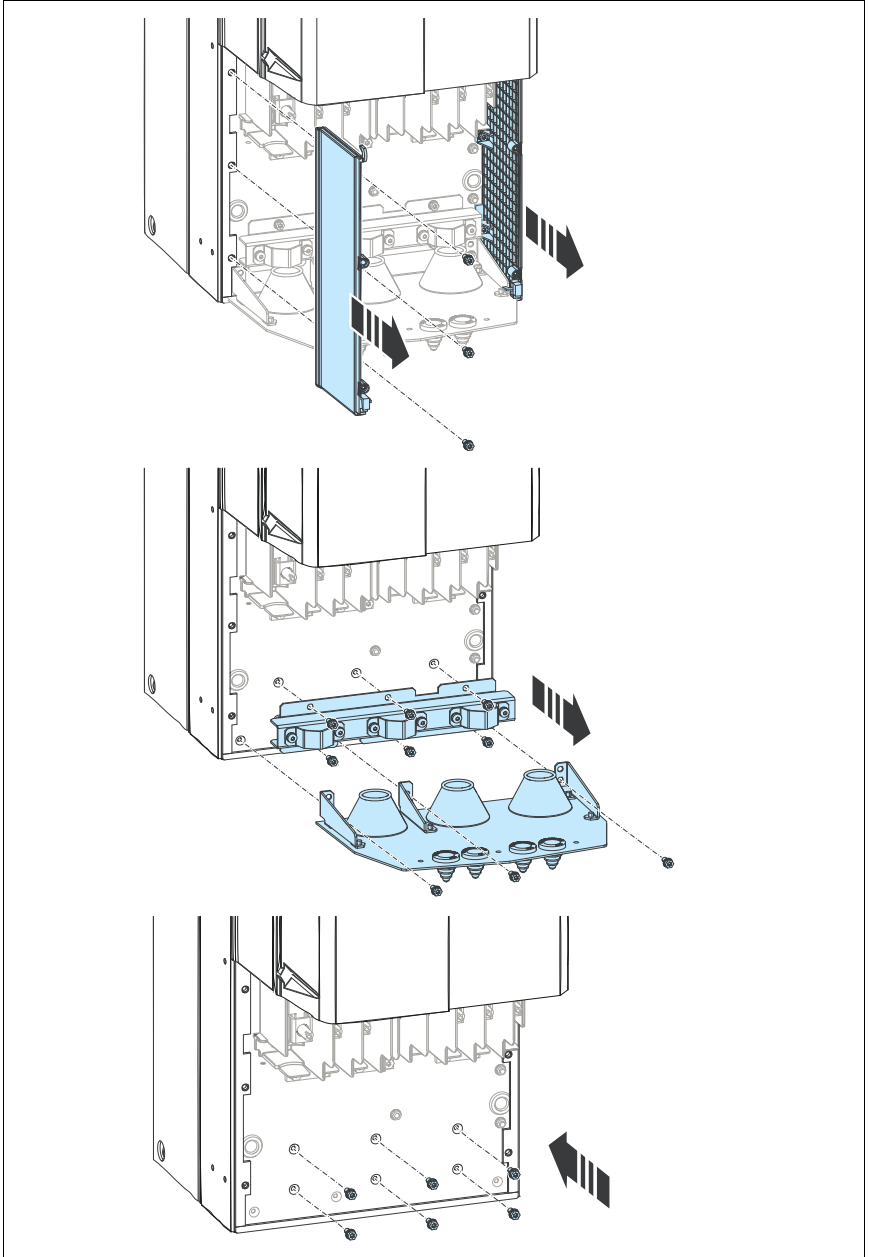


10 Installation with option +H358 UK gland plate

R6: Remove the bottom plate and the power cable clamp shelf as shown below. Save the screws. Install the clamp shelf screws back to maintain the degree of protection.

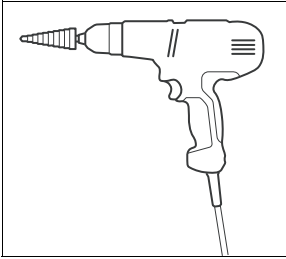


R8. Remove the side plates for easier installation of the power cables. Remove the power cable clamp shelf and the bottom plate. Save the screws. Install the clamp shelf screws back to maintain the degree of protection.

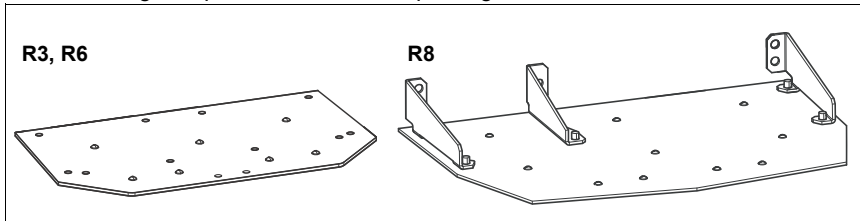


Making holes into the UK gland plate

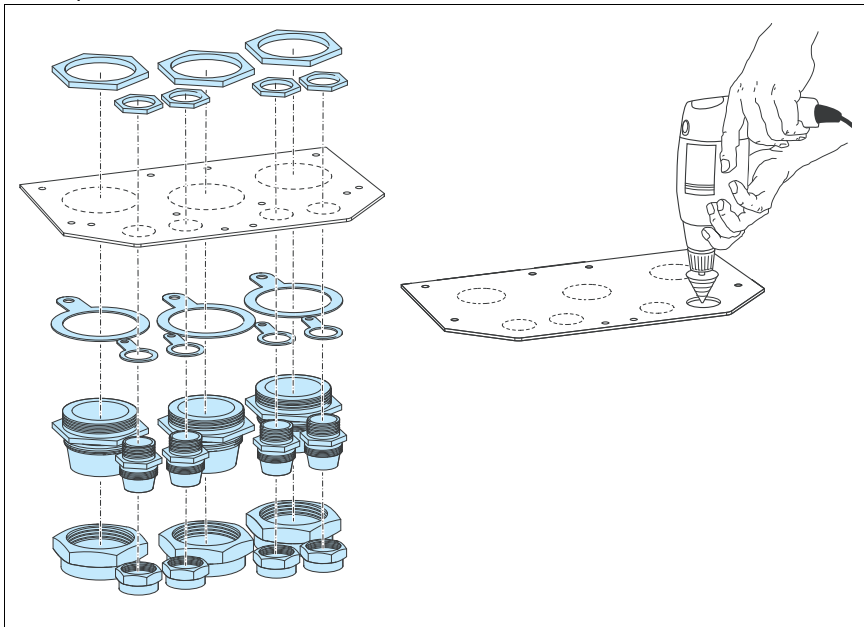
Tools: Drill with step drill bits



1. Take the UK gland plate from the drive package.



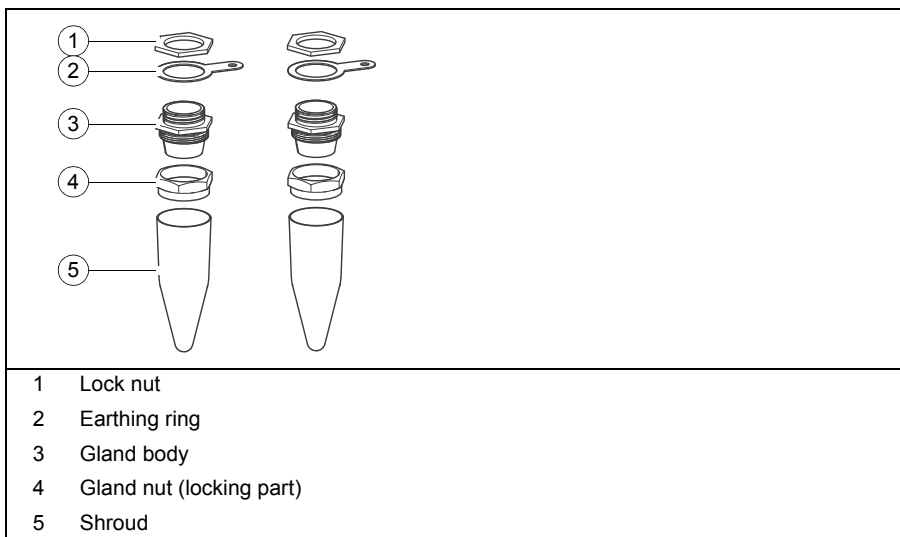
2. Prepare to make holes in the UK gland plate for the SWA glands of the cables to be installed. Lay out the glands onto the gland plate so that the earthing rings have space. Drill the needed holes.



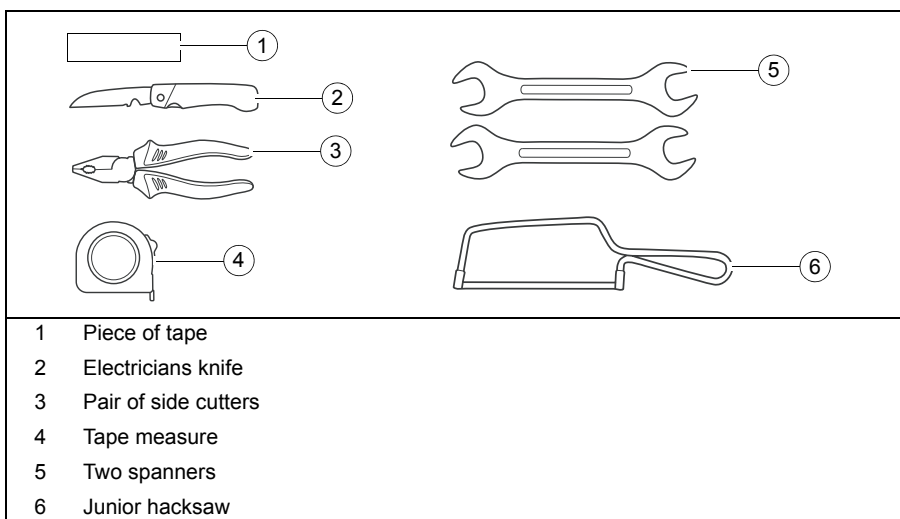
Installing the SWA glands

SWA gland kit parts

Contents of a SWA cable gland kit are shown below. Use appropriate kits for the cables to be connected.



Required tools

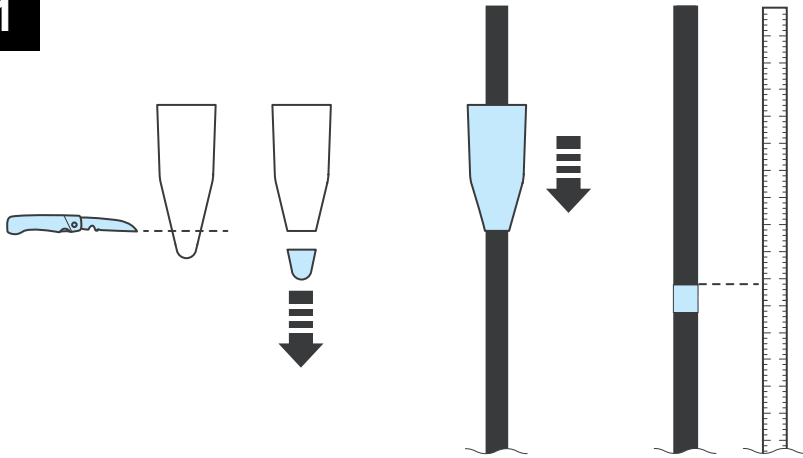


■ **Installing the SWA gland over a power cable**

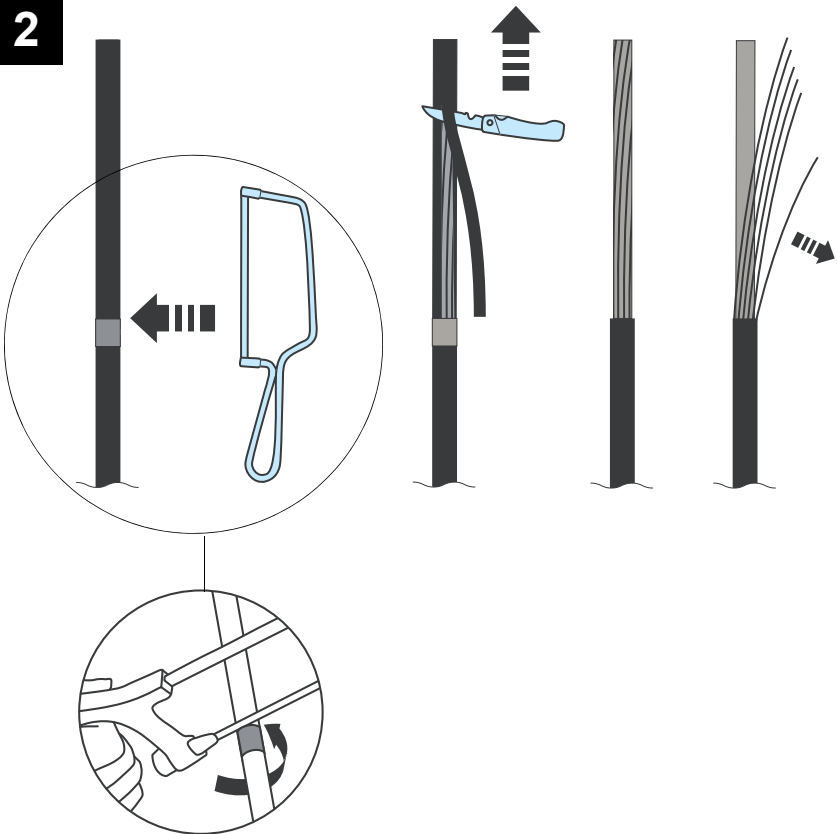
See the drawings on the next pages.

1. Cut the shroud to fit the cable. Slide it over the cable. Measure the cable length that is required inside the drive. Mark the measured point with tape.
 2. Cut the outer sheath around the cable at the tape halfway through the steel wire armour with junior hacksaw. Peel off the sheath with electricians knife. Pick three to four steel wires at a time and bend them back and forth to break and remove them.
 3. Slide the gland nut over the cable. Cut off 25 mm of the sheath with electricians knife. Rotate the cable by hand to bend the steel wires so that the cone end of the gland body will fit under.
 4. - Slide the gland body under the steel wires. Make sure that the wires do not go over the cone end of the gland body, or that they are long enough for the electric bonding.
- Slide the gland nut onto the cone end of the gland body and hand tighten it. Hold the gland body with a spanner and tighten the nut with the other spanner.
 5. Put the earthing ring onto the gland body. Carefully, so as not to cut into the conductors, cut the bedding with electricians knife and peel it off.
 6. Put the cable through the hole in the gland plate. Slide the lock nut over the cable onto the gland body. Hold the gland body with a spanner and tighten the lock nut with the other spanner.
 7. Attach the earthing ring to the gland plate with a screw and nut.
 8. Fit the shroud over the gland.
-

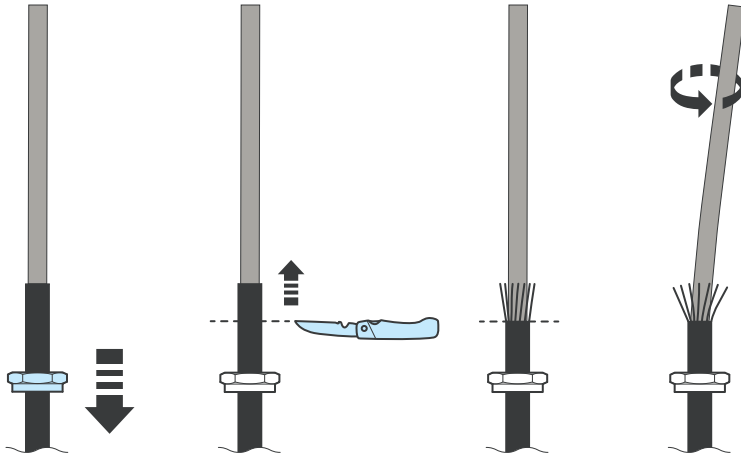
1



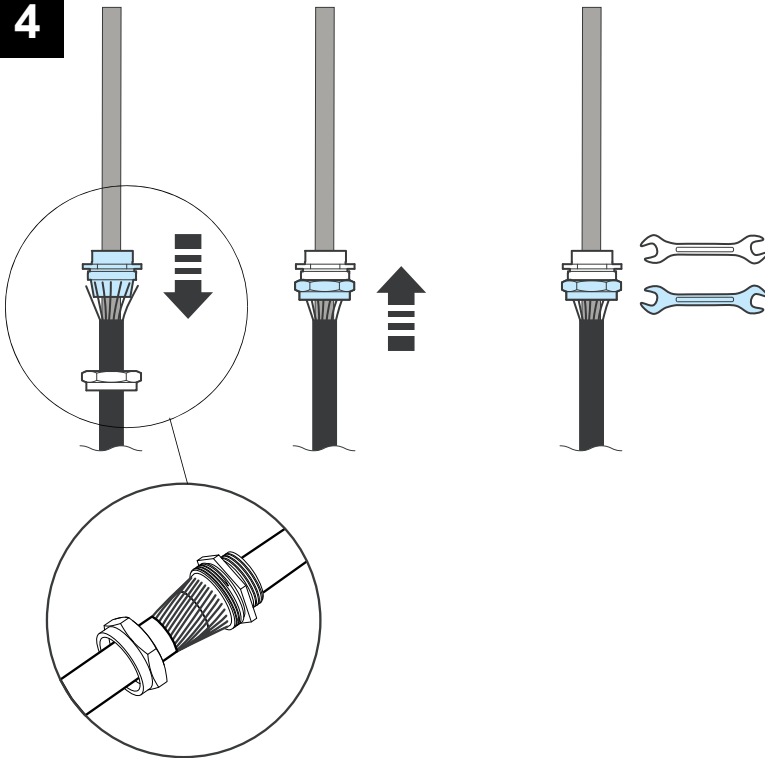
2



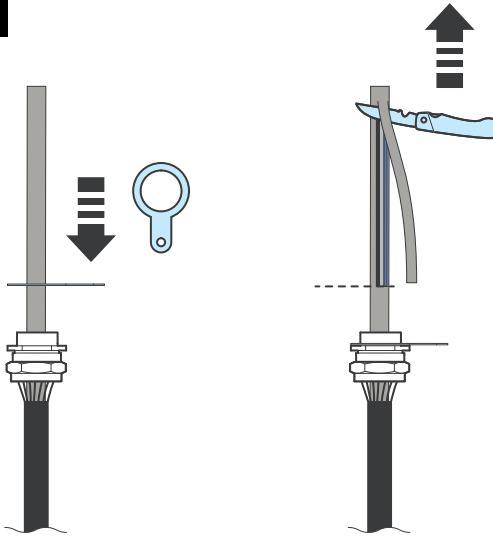
3



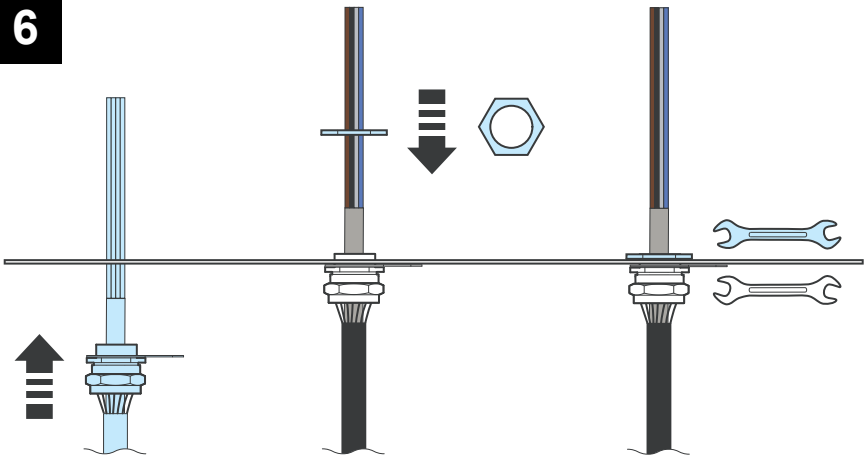
4



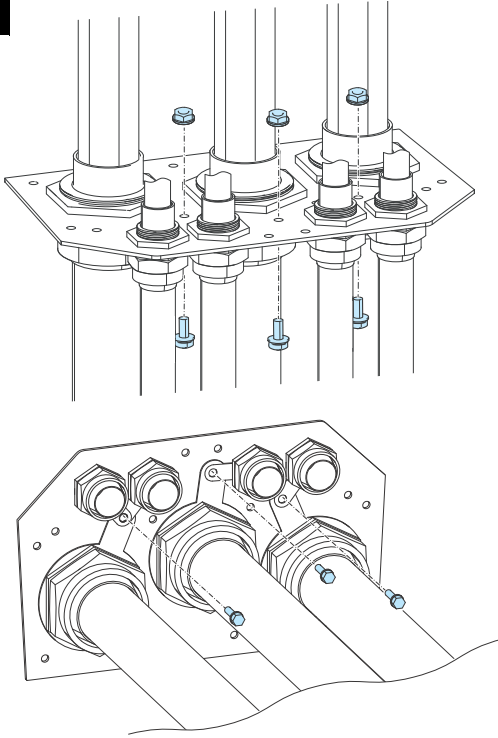
5



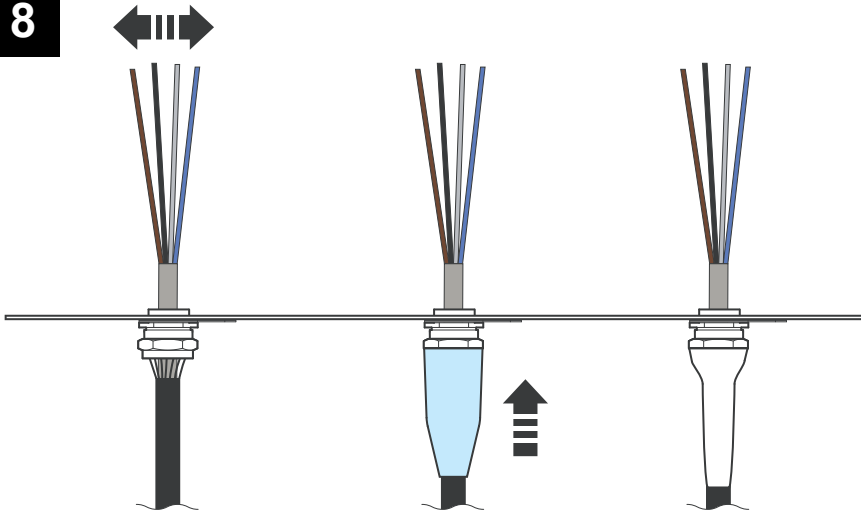
6



7

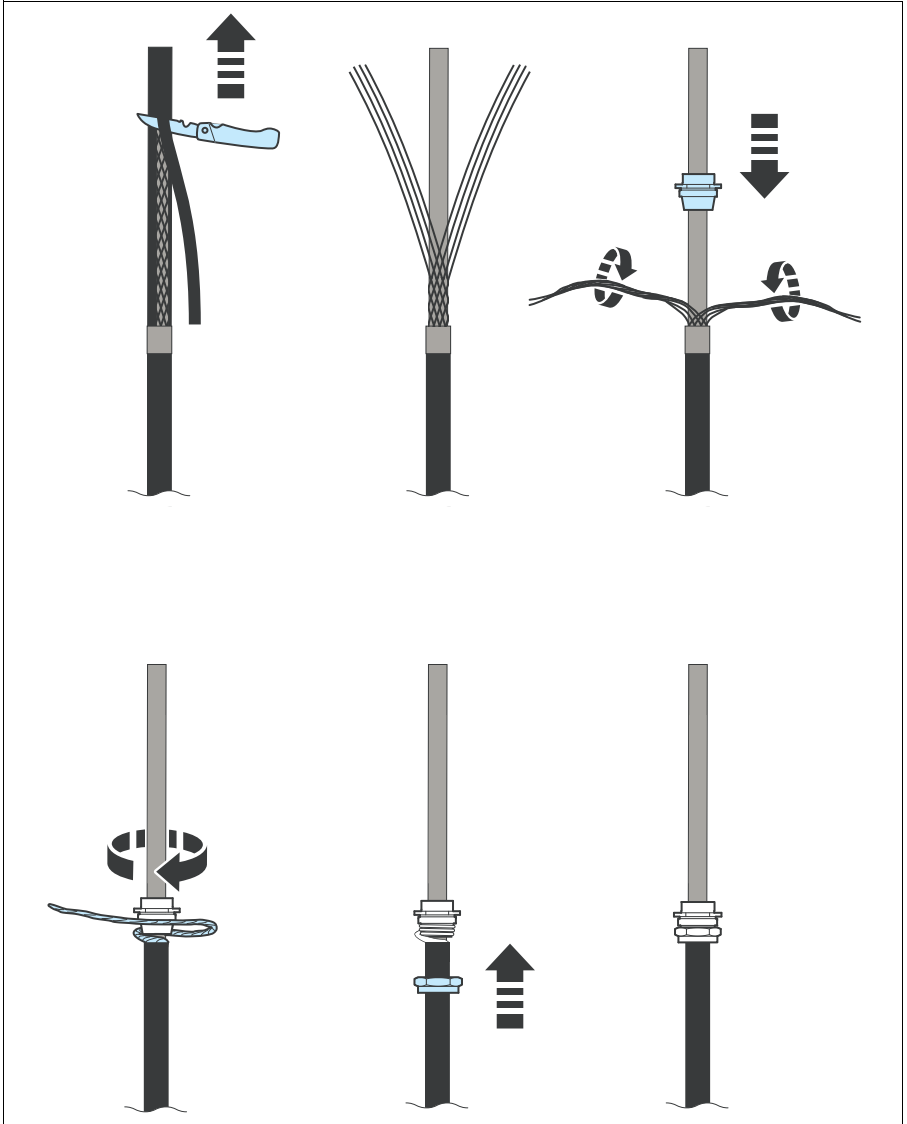


8



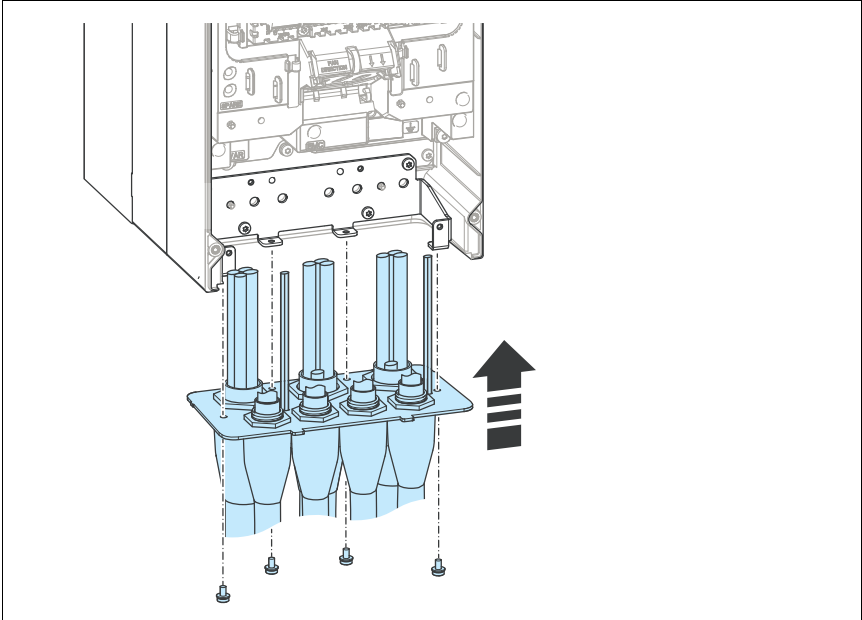
■ Installing the SWA gland over a control cable

Peel off the sheath with electricians knife. Move the steel wires into two bundles. Twist the bundles to braids. Rotate the braids over the cone end of the gland body. Tighten the nut on the braids.

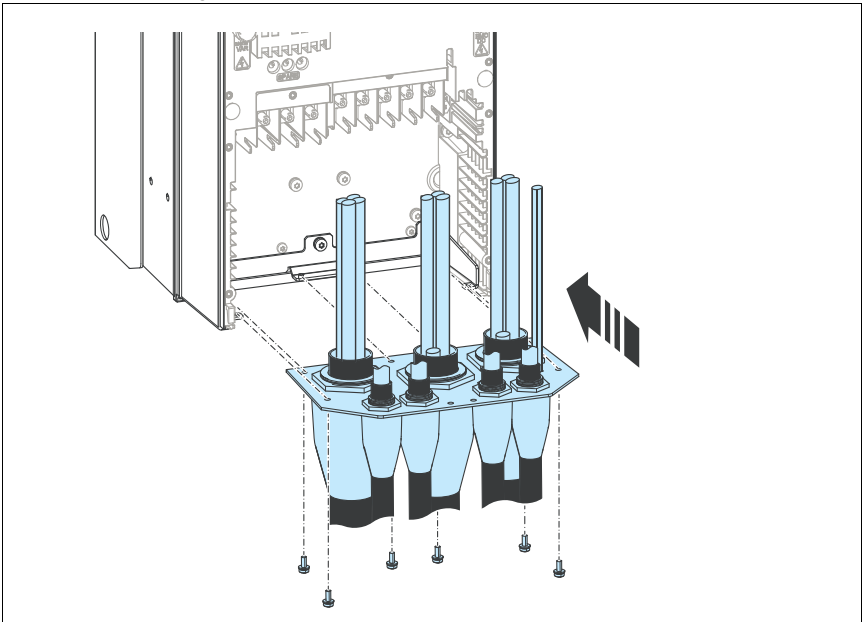


Attaching the UK gland plate to the drive

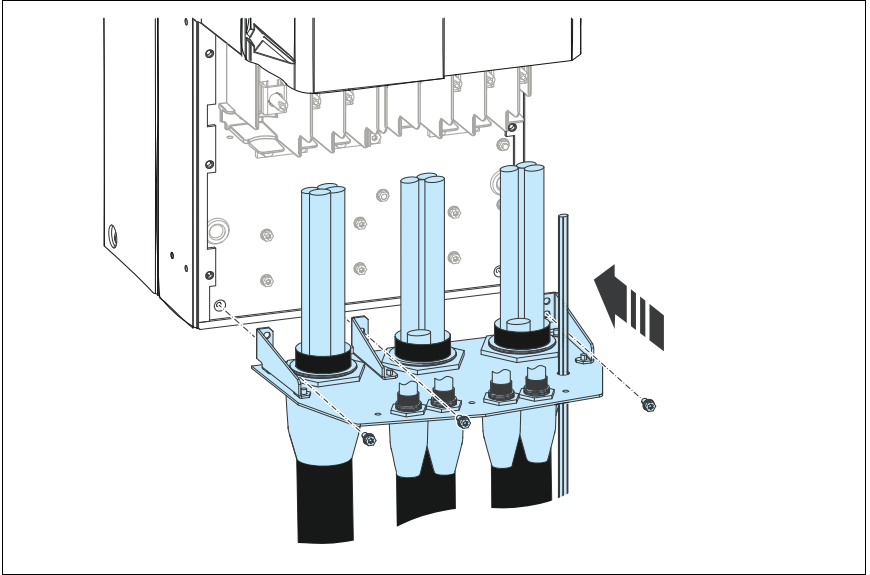
1. **R3:** Attach the UK gland plate to the base of the drive.



- R6:** Attach the UK gland plate to the base of the drive.



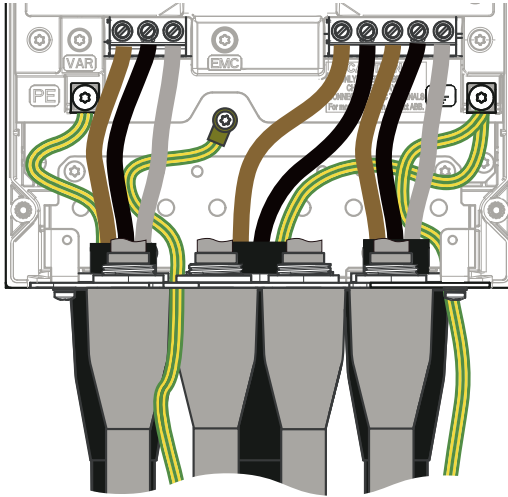
R8: Attach the UK gland plate to the back plate of the drive.



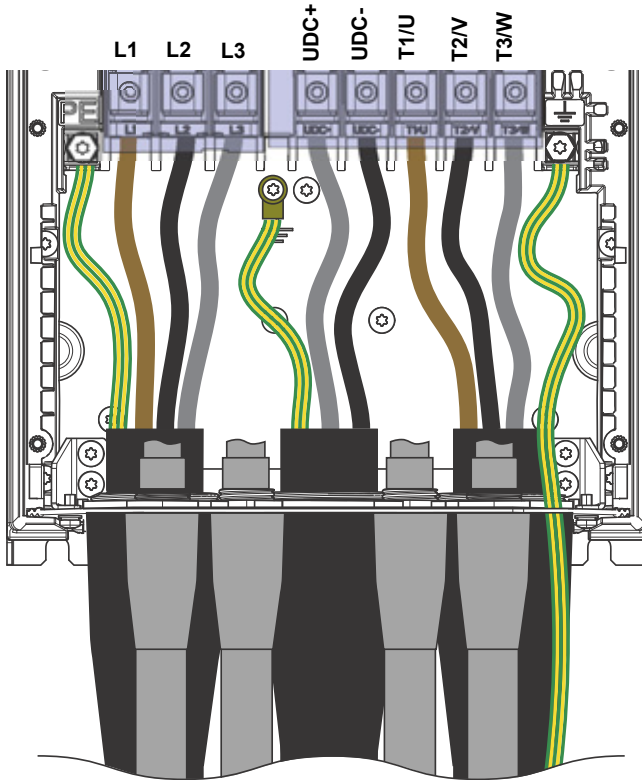
Connecting the power cables

Connect the conductors to the terminals. See the drive hardware manual for the connection diagrams.

R3 L1, L2, L3, T1/U, T2/V, T3/W, UDC+, UDC- and earthing terminals: 1.7 N·m



R6 L1, L2, L3, T1/U, T2/V, T3/W, UDC+, UDC-: 5.6 N·m
Earthing terminals: 2.9 N·m

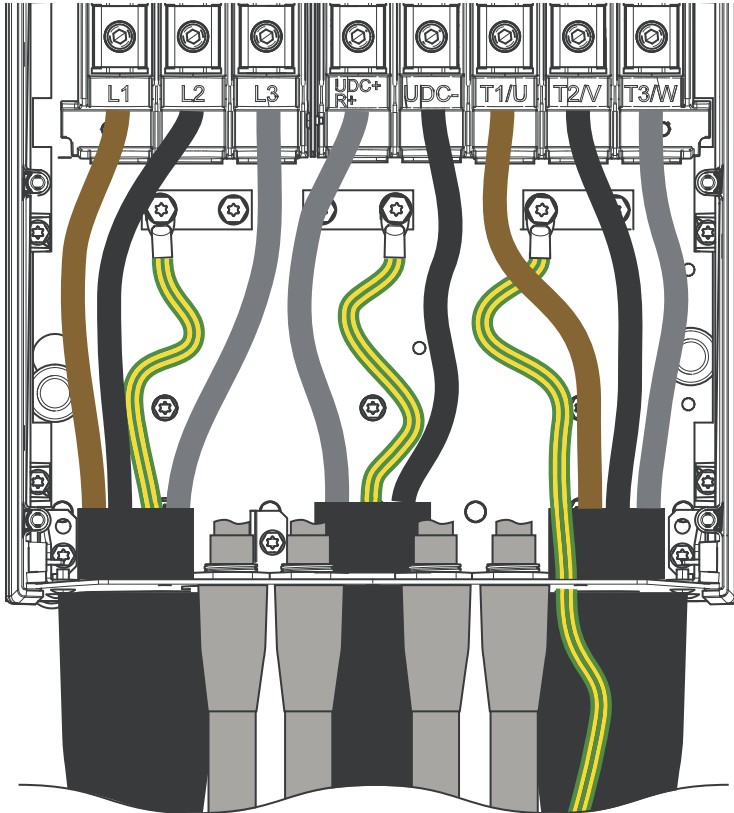


R8

L1, L2, L3: 34 N·m

T1/U, T2/V, T3/W, UDC+, UDC-: 30 N·m

Earthing terminals: 9.8 N·m



For frame R8, install the side plates if removed.

Further information

Product and service inquiries

Address any inquiries about the product to your local ABB representative, quoting the type designation and serial number of the unit in question. A listing of ABB sales, support and service contacts can be found by navigating to abb.com/searchchannels.

Product training

For information on ABB product training, navigate to new.abb.com/service/training.

Providing feedback on ABB Drives manuals

Your comments on our manuals are welcome. Navigate to new.abb.com/drives/manuals-feedback-form.

Document library on the Internet

You can find manuals and other product documents in PDF format on the Internet at abb.com/drives/documents.



abb.com/drives

