

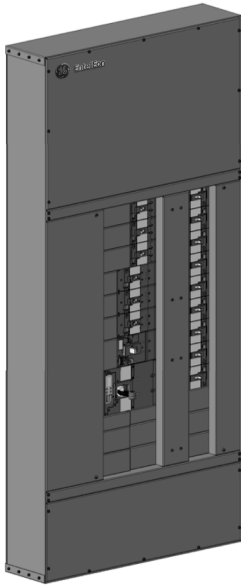


GE

EntellEon*

Low Voltage Power Panel

Ratings & Accessories



These instructions do not cover all details or variations in equipment, nor do they provide for every possible contingency that may be met in connection with installation, operation or maintenance. Should further information be desired or should particular problems arise that are not covered sufficiently for the purchaser's purposes, the matter should be referred to the GE Company.

INSTALLATION

Consult instructions NEMA PB 1.1 located in circuit directory on front door before installing panelboard. Order replacement manual from supplier.

USE COPPER OR ALUMINUM WIRE

- Use 60°C or 75°C ampacity sized wire on line, neutral and equipment ground terminals.
 - Standard wire sizes listed in this pamphlet may be changed by using alternate terminal kits.
 - Refer to circuit breakers for allowable wire temperature rating, wire size and tightening torque.
-
- Neutral rated for 200% panelboard phase current for 600A and below.
 - Neutral rated for 100% panelboard current for 800A and above.
 - Use copper wire only at neutral main lugs.
 - See neutral kit assembly label for appropriate wire sizes.
 - Suitable for nonlinear loads.
-

SHORT CIRCUIT CURRENT RATING

The maximum short circuit rating of the panelboard, in RMS symmetrical amperes, is equal to 100 kAIC @ 240, 480V or 65 kAIC @ 600V or the lowest current interruption rating of any device installed except as noted in the series rating listed with an integral or remote main breaker or fusible switch installed ahead of this panel.

Maximum continuous loads on main or branch circuit not to exceed 80% of the ratings of the listed circuit breakers.

TORQUE VALUES FOR PANELBOARD HARDWARE

SCREW SIZE	LOCATION	TORQUE (IN-LBS)
1/4-20 STEEL THREAD FORMING	Fronts to Enclosure (Sides)	85-95
	Interior Frame to Enclosure	
	Neutral & Ground to Enclosure	
	Fillers to Gutter Covers	
	Vertical Main Mounting Kit to Enclosure	
	Fronts to Enclosure (Top/Bottom)	50-58
	Branch Breakers to Interior Frame	
	Panelboard Interior to Interior Frame	
	Vertical Main Insert/Filler(s) to Panels	
	Blanks to Interior Frame	

Series Ratings

EntellEon panelboard – use only with EntellEon panelboard series circuit breakers

IC RATING	MAIN		BRANCH		
	TYPE	MAX. AMP	TYPE*	POLES	AMP. RANGE
100,000A @ 480VAC MAX.	SFP	250	SEP, SEL, SEH, SED	3	30-150
			SFP, SFL, SFH	3	150-250
	SGP	600	SEP, SEL, SEH, SED	3	30-150
			SFP, SFL, SFH	3	250
			SGP, SGL, SGH	3	400-600
	SH (PB II)	4000	SEP, SEL, SEH, SED	3	30-150
			SFP, SFL, SFH	3	150-250
			SGP, SGL, SGH	3	400-600
	SS (PB II)	4000	SEP, SEL, SEH, SED	3	30-150
			SFP, SFL, SFH	3	150-250
			SGP, SGL	3	400-600
	65,000A @ 480VAC MAX.	SFL	250	SEP, SEL, SEH, SED	3
SFP, SFL, SFK				3	250
SGL		600	SEP, SEL, SEH, SED	3	30-150
			SFP, SFL, SFH	3	250
			SGP, SGL, SGH	3	400-600
SKL		1200	SEP, SEL, SEH, SED	3	30-150
			SFP, SFL, SFH	3	250
			SGP, SGL, SGH	3	400-600
			SKL, SKH	3	800-1200
SS (PB II)		2000	SEP, SEL, SEH, SED	3	30-150
			SFP, SFL, SFH	3	150-250
			SGP, SGL, SGH	3	400-600
50,000A @ 480VAC MAX.	SKH	1200	SEP, SEL, SEH, SED	3	30-150
			SFP, SFL, SFH	3	250
			SGP, SGL, SGH	3	400-600
35,000A @ 480VAC MAX.	SGH	600	SEP, SEL, SEH, SED	3	30-150
			SFP, SFL, SFH	3	250
25,000A @ 480VAC MAX.	SFH	250	SEP, SEL, SEH, SED	3	30-150

Series Ratings (Cont.)

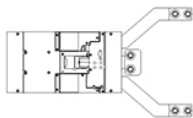
IC RATING	MAIN		BRANCH		
	TYPE	MAX. AMP	TYPE*	POLES	AMP. RANGE
100,000A @ 240VAC MAX.	SFL	250	SEP, SEL, SEH, SED	3	30-150
			SFP, SFL, SFH	3	250
	SGL	600	SEP, SEL, SEH, SED	3	30-150
			SFP, SFL, SFH	3	250
			SGP, SGL, SGH, SGD	3	400-600
	SKL	1200	SEP, SEL, SEH, SED	3	30-150
			SFP, SFL, SFH	3	250
			SGP, SGL, SGH, SGD	3	400-600
			SKL, SKH	3	800-1200
	SH (PB II)	800	SEP, SEL, SEH, SED	3	30-150
			SFP, SFL, SFH	3	250
			SGP, SGL, SGH, SGD	3	400-600
	SH (PB II)	3000	SKL, SKH	3	800-1200
	SS (PB II)	4000	SEP, SEL, SEH, SED	3	30-150
SFP, SFL, SFH			3	250	
65,000A @ 240VAC MAX.	SFH	250	SEP, SEL, SEH, SED	3	30-150
	SGD	600	SEP, SEL, SEH, SED	3	30-150
	SKH	1200	SEP, SEL, SEH, SED	3	30-150
	SS (PB II)	800	SEP, SEL, SEH, SED	3	30-150

* All breaker catalog numbers prefaced by "EZ" for EntellEon Panelboard Series branch breaker kits, or "EU" for EntellEon Panelboard Series vertical main breaker kits

Notes

Construction Diagram

Main Lug Kits* Pg 32



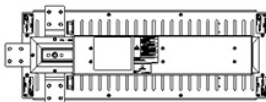
Vertical Main Breaker Kits Pg 23



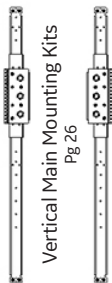
Branch Circuit Breaker Kits Pg 16



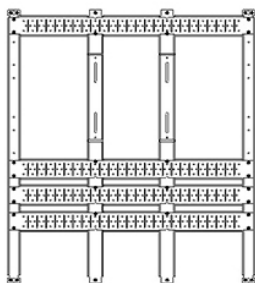
Spacer Kits Pg 30



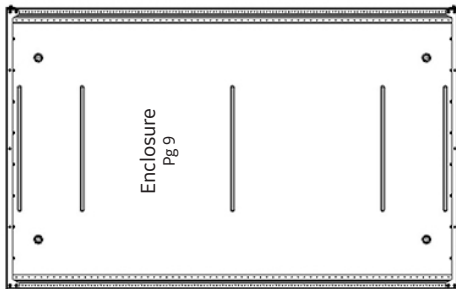
Interior Frame Pg 10



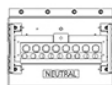
Vertical Main Mounting Kits Pg 26



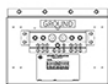
Panelboard Interior Pg 7



Enclosure Pg 9



Neutrals Pg 37

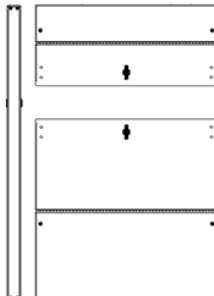


Grounds Pg 39

Gutter Covers Pg 28



Front (Top) Pg 12



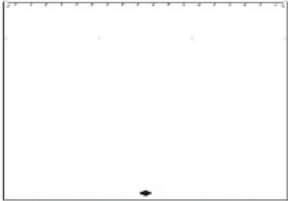
Front (Bottom) Pg 12



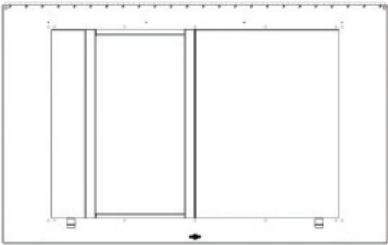
* Mechanical lugs shown as an example.

DID Construction Diagram

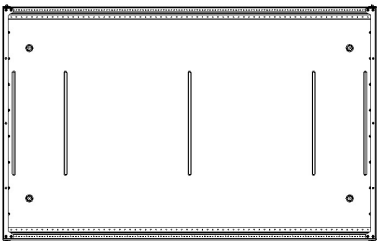
See page 14



Outer Door

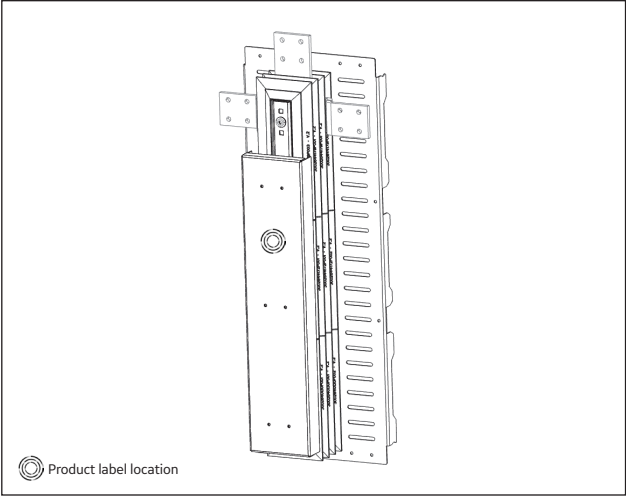



Front Door



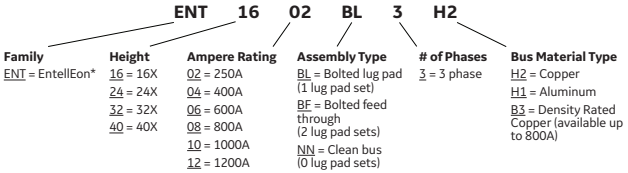
Enclosure

Panelboard Interior



 Product label location

Catalog Number Structure



Compatibility

PANELBOARD INTERIOR HEIGHT & ASSEMBLY TYPE

HEIGHT:	16X			24X			32X			40X		
ASSEMBLY TYPE:	BF	BL	NN	BF	BL	NN	BF	BL	NN	BF	BL	NN
ENC6030A						
ENC7230A			
ENC8430A
ENC9630A				
ENC6040A						
ENC7240A			
ENC8440A
ENC9640A				
ENC6045A						
ENC7245A			
ENC8445A
ENC9645A				

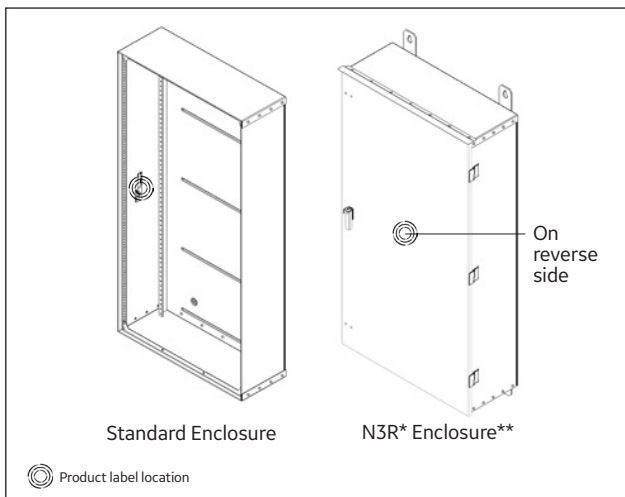
ENCLOSURE*

* Enclosure catalog number refers to the minimum box size.

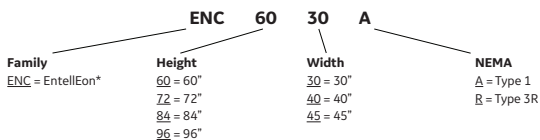
PANELBOARD INTERIOR HEIGHT

INTERIOR FRAME	16X			24X			32X			40X		
FRM1630C	.	.	.									
FRM2430C				.	.	.						
FRM3230C							.	.	.			
FRM4030C										.	.	.
FRM1645C	.	.	.									
FRM2445C				.	.	.						
FRM3245C							.	.	.			
FRM4045C										.	.	.
FRM1640F	.	.	.									
FRM2440F				.	.	.						
FRM3240F							.	.	.			
FRM4040F										.	.	.
FRM1645F	.	.	.									
FRM2445F				.	.	.						
FRM3245F							.	.	.			
FRM4045F										.	.	.

Enclosure



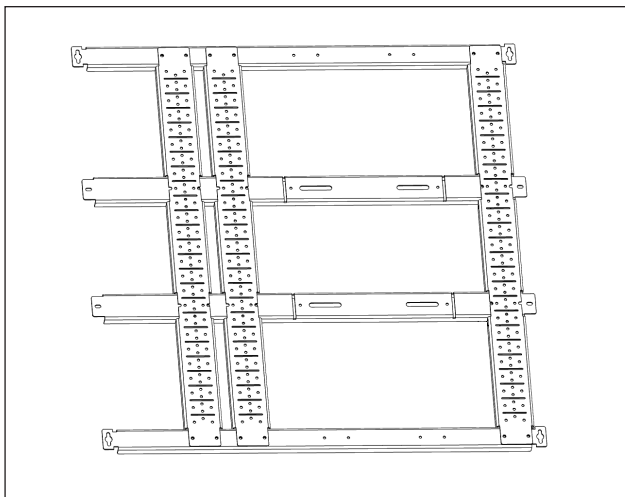
Catalog Number Structure



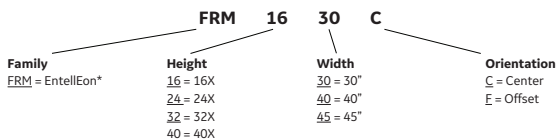
*3R not available with DID or Standard Locking Doors.

** NEMA 3R enclosures are 2" wider than what's listed in the catalog number.

Interior Frame



Catalog Number Structure

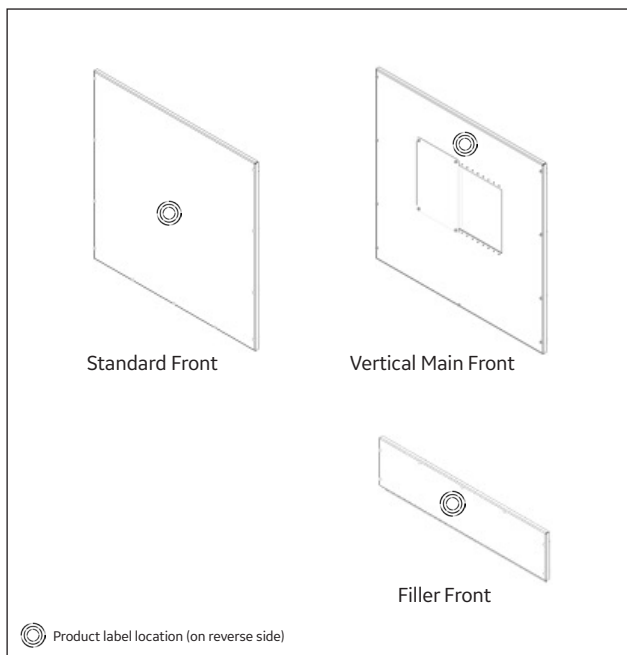


Compatibility

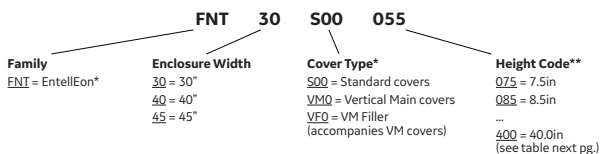
INTERIOR FRAME WIDTH			
ENCLOSURE*	30"	40"	45"
ENC6030A	•		
ENC7230A	•		
ENC8430A	•		
ENC9630A	•		
ENC6040A		•	
ENC7240A		•	
ENC8440A		•	
ENC9640A		•	
ENC6045A			•
ENC7245A			•
ENC8445A			•
ENC9645A			•

Notes

Fronts

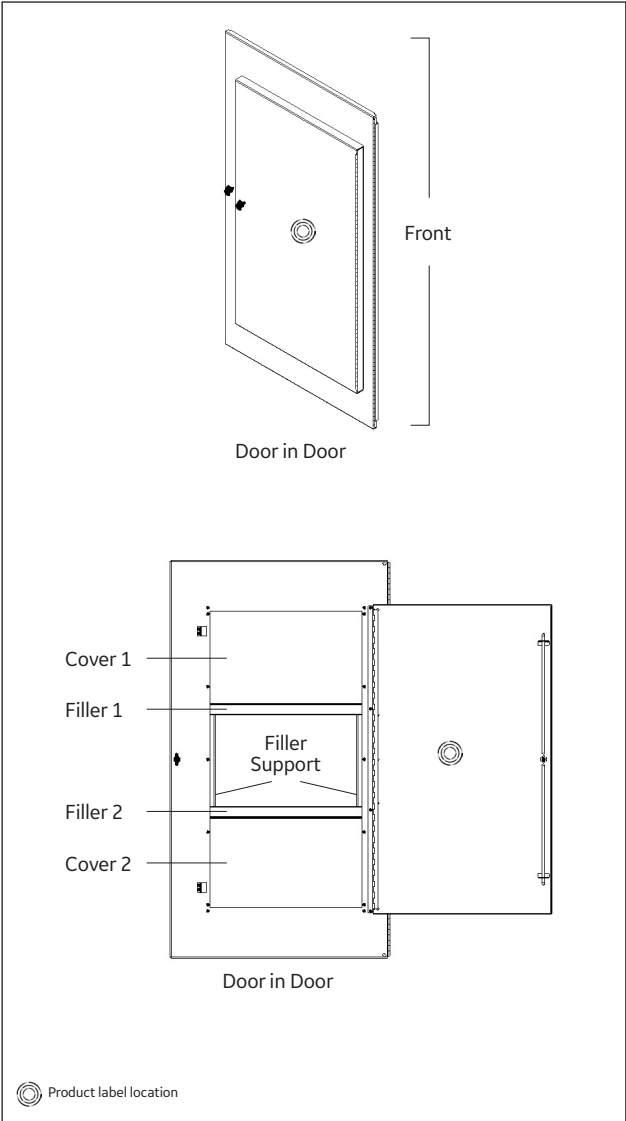


Catalog Number Structure*



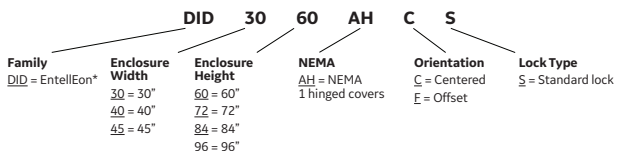
*Vertical Main covers and Vertical Main fillers may or may not apply.

Door in Door

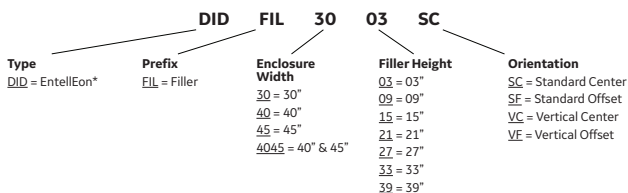


*Standard Fronts and Gutters not available with Door in Door.

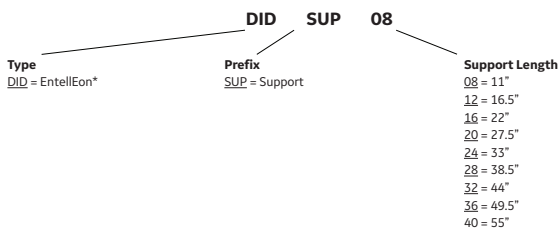
Front Door Catalog Number Structure



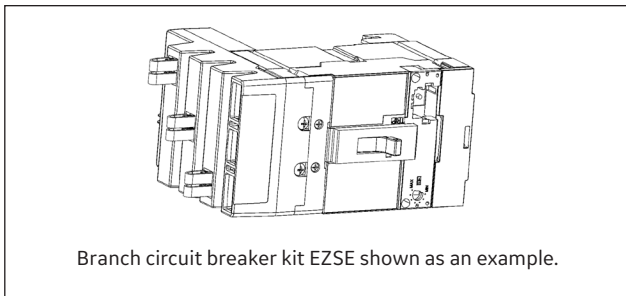
Filler Catalog Number Structure



Filler Support Catalog Number Structure

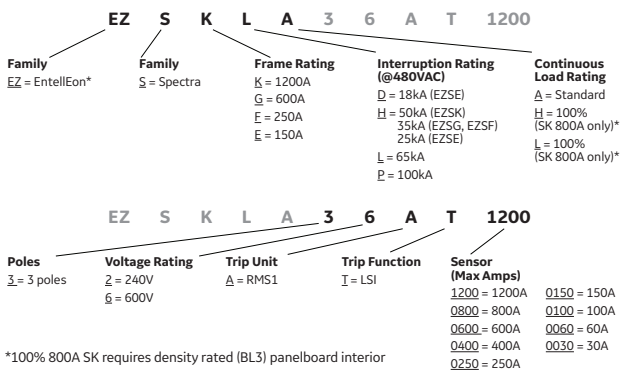


Branch Circuit Breaker Kits

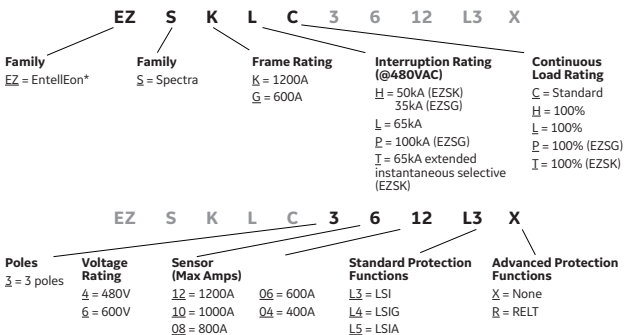


Catalog Number Structure

For Spectra™ RMS circuit breakers w/o Micro EntelliGuard Trip (MET) units:

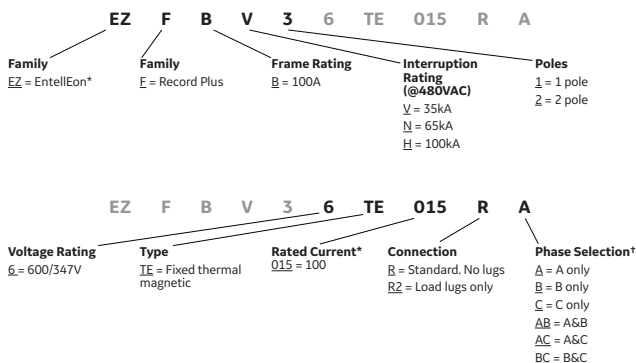


For Spectra™ RMS circuit breakers w/ Micro EntelliGuard Trip (MET) units:



Catalog Number Structure (Cont.)

For Record Plus™ FB circuit breakers:



*Available amperage ratings (A): 15, 20, 25, 30, 35, 40, 45, 50, 60, 70, 80, 90, 100.

†Phase options A, B & C only available for 1-pole breakers. Phase options AB, AC & BC only available for 2-pole breakers.

Compatibility

CIRCUIT BREAKER CAT NO.					
INT. FRAME	EZSE	EZSF	EZSG	EZSK	EZFB
FRM1630C	•				•
FRM2430C	•				•
FRM3230C	•				•
FRM4030C	•				•
FRM1640F	•	•	•		•
FRM2440F	•	•	•		•
FRM3240F	•	•	•		•
FRM4040F	•	•	•		•
FRM1645C	•	•	•		•
FRM2445C	•	•	•		•
FRM3245C	•	•	•		•
FRM4045C	•	•	•		•
FRM1645F	•	•	•	•	•
FRM2445F	•	•	•	•	•
FRM3245F	•	•	•	•	•
FRM4045F	•	•	•	•	•

Ratings

Spectra™ RMS Branch Circuit Breakers without Micro EntelliGuard Trip (MET) Units

CIRCUIT BREAKER CAT NO.	MAX. RATING AMPS	REQ. BUS SPACE*	CIRCUIT BREAKER TYPE	SHORT CIRCUIT RATINGS, KA		
				240V	480V	600V
EZSKLA36AT1200	1200	6X	SKL, 1200A, 3P, 600VAC	100KA	65KA	42KA
EZSKHA36AT1200	1200	6X	SKH, 1200A, 3P, 600VAC	65KA	50KA	25KA
EZSKLA36AT0800	800	6X	SKL, 800A, 3P, 600VAC	100KA	65KA	42KA
EZSKHA36AT0800	800	6X	SKH, 800A, 3P, 600VAC	65KA	50KA	25KA
EZSKHH36AT0800	800	6X	SKH, 800A, 3P, 600VAC	65KA	50KA	25KA
EZSKLL36AT0800	800	6X	SKL, 800A, 3P, 600VAC	100KA	65KA	42KA
EZSGPA36AT0600	600	4X	SGP, 600A, 3P, 600VAC	200KA	100KA	65KA
EZSGLA36AT0600	600	4X	SGL, 600A, 3P, 600VAC	100KA	65KA	65KA
EZSGHA36AT0600	600	4X	SGH, 600A, 3P, 600VAC	65KA	35KA	25KA
EZSGPA36AT0400	400	4X	SGP, 400A, 3P, 600VAC	200KA	100KA	65KA
EZSGPP36AT0400	400	4X	SGP, 400A, 3P, 600VAC	200KA	100KA	65KA
EZSGLA36AT0400	400	4X	SGL, 400A, 3P, 600VAC	100KA	65KA	65KA
EZSGLL36AT0400	400	4X	SGL, 400A, 3P, 600VAC	100KA	65KA	65KA
EZSGHA36AT0400	400	4X	SGH, 400A, 3P, 600VAC	65KA	35KA	25KA
EZSGHH36AT0400	400	4X	SGH, 400A, 3P, 600VAC	65KA	35KA	25KA
EZSGDA32AT0400	400	4X	SGD, 400A, 3P, 240VAC	65KA	-	-
EZSFPA36AT0250	250	3X	SFP, 250A 3P, 600VAC	200KA	100KA	25KA
EZSFLA36AT0250	250	3X	SFL, 250A 3P, 600VAC	100KA	65KA	25KA
EZSFHA36AT0250	250	3X	SFH, 250A 3P, 600VAC	65KA	35KA	22KA
EZSEPA36AT0150	150	3X	SEP, 150A, 3P, 600VAC	200KA	100KA	25KA
EZSELA36AT0150	150	3X	SEL, 150A, 3P, 600VAC	100KA	65KA	25KA
EZSEHA36AT0150	150	3X	SEH, 150A, 3P, 600VAC	65KA	25KA	18KA
EZSEDA36AT0150	150	3X	SED, 150A, 3P, 600VAC	18KA	18KA	14KA
EZSEPA36AT0100	100	3X	SEP, 100A, 3P, 600VAC	200KA	100KA	25KA
EZSELA36AT0100	100	3X	SEL, 100A, 3P, 600VAC	100KA	65KA	25KA
EZSEHA36AT0100	100	3X	SEH, 100A, 3P, 600VAC	65KA	25KA	18KA
EZSEDA36AT0100	100	3X	SED, 100A, 3P, 600VAC	18KA	18KA	14KA
EZSEPA36AT0060	60	3X	SEP, 060A, 3P, 600VAC	200KA	100KA	25KA
EZSELA36AT0060	60	3X	SEL, 060A, 3P, 600VAC	100KA	65KA	25KA
EZSEHA36AT0060	60	3X	SEH, 060A, 3P, 600VAC	65KA	25KA	18KA
EZSEDA36AT0060	60	3X	SED, 060A, 3P, 600VAC	18KA	18KA	14KA

* Circuit breaker kits described above can be installed in the panelboard in any available position, assuming adequate space.

Ratings (Cont.)

Spectra™ RMS Main Circuit Breakers with Micro EntelliGuard Trip (MET) Units

BREAKER CAT NO.	MAX. RATING AMPS	REQ. BUS SPACE*	CIRCUIT BREAKER TYPE	SHORT CIRCUIT RATINGS, KA		
				240V	480V	600V
EZSEPA36AT0030	30	3X	SEP, 030A, 3P, 600VAC	200KA	100KA	25KA
EZSELA36AT0030	30	3X	SEL, 030A, 3P, 600VAC	100KA	65KA	25KA
EZSEHA36AT0030	30	3X	SEH, 030A, 3P, 600VAC	65KA	25KA	18KA
EZSEDA36AT0030	30	3X	SED, 030A, 3P, 600VAC	18KA	18KA	14KA
EZSKLC3612 [†]	1200	6X	SKL, 1200A, 3P, 600VAC	100ka	65ka	42ka
EZSKHC3612 [†]	1200	6X	SKH, 1200A, 3P, 600VAC	65ka	50ka	25ka
EZSKTC3412 [†]	1200	6X	SKT, 1200A, 3P, 480VAC	100ka	65ka	42ka
EZSKLL3610 [†]	1000	6X	SKL, 1000A, 3P, 600VAC	100ka	65ka	42ka
EZSKHH3610 [†]	1000	6X	SKH, 1000A, 3P, 600VAC	65ka	50ka	25ka
EZSKTT3410 [†]	1000	6X	SKT, 1000A, 3P, 480VAC	100ka	65ka	42ka
EZSKLC3608 [†]	800	6X	SKL, 800A, 3P, 600VAC	100ka	65ka	42ka
EZSKHC3608 [†]	800	6X	SKH, 800A, 3P, 600VAC	65ka	50ka	25ka
EZSKTC3408 [†]	800	6X	SKT, 800A, 3P, 480VAC	100ka	65ka	42ka
EZSGPC3606 [†]	600	4X	SGP, 600A, 3P, 600VAC	200ka	100ka	65ka
EZSGLC3606 [†]	600	4X	SGL, 600A, 3P, 600VAC	100ka	65ka	65ka
EZSGHC3606 [†]	600	4X	SGH, 600A, 3P, 600VAC	65ka	35ka	25ka
EZSGPC3604 [†]	400	4X	SGP, 400A, 3P, 600VAC	200ka	100ka	65ka
EZSGPP3604 [†]	400	4X	SGP, 400A, 3P, 600VAC	200ka	100ka	65ka
EZSGLC3604 [†]	400	4X	SGL, 400A, 3P, 600VAC	100ka	65ka	65ka
EZSGLL3604 [†]	400	4X	SGL, 400A, 3P, 600VAC	100ka	65ka	65ka
EZSGHC3604 [†]	400	4X	SGH, 400A, 3P, 600VAC	65ka	35ka	25ka
EZSGHH3604 [†]	400	4X	SGH, 400A, 3P, 600VAC	65ka	35ka	25ka

* Circuit breaker kits described above can only be used as main disconnects, and can be installed in the panelboard in any available position, assuming adequate space.

[†] Catalog numbers listed above have suffixes "L3" or "L4" or "L5" followed by either "X" or "R". See Catalog Number Structure for details.

Ratings (Cont.)

Record Plus™ FB Branch Circuit Breakers

BREAKER CAT NO.	MAX. RATING AMPS	REQ. BUS SPACE*	CIRCUIT BREAKER TYPE	SHORT CIRCUIT RATINGS, KA		
				240V	480V	600V
EZFBV16TE015†	15	1X	FBV, 15A, 1P, 600VAC	35kA	-	-
EZFBV16TE020†	20	1X	FBV, 20A, 1P, 600VAC	35kA	-	-
EZFBV16TE025†	25	1X	FBV, 25A, 1P, 600VAC	35kA	-	-
EZFBV16TE030†	30	1X	FBV, 30A, 1P, 600VAC	35kA	-	-
EZFBV16TE035†	35	1X	FBV, 35A, 1P, 600VAC	35kA	-	-
EZFBV16TE040†	40	1X	FBV, 40A, 1P, 600VAC	35kA	-	-
EZFBV16TE045†	45	1X	FBV, 45A, 1P, 600VAC	35kA	-	-
EZFBV16TE050†	50	1X	FBV, 50A, 1P, 600VAC	35kA	-	-
EZFBV16TE060†	60	1X	FBV, 60A, 1P, 600VAC	35kA	-	-
EZFBV16TE070†	70	1X	FBV, 70A, 1P, 600VAC	35kA	-	-
EZFBV16TE080†	80	1X	FBV, 80A, 1P, 600VAC	35kA	-	-
EZFBV16TE090†	90	1X	FBV, 90A, 1P, 600VAC	35kA	-	-
EZFBV16TE100†	100	1X	FBV, 100A, 1P, 600VAC	35kA	-	-
EZFBV26TE015†	15	2X	FBV, 15A, 2P, 600VAC	65kA	35kA	22kA
EZFBV26TE020†	20	2X	FBV, 20A, 2P, 600VAC	65kA	35kA	22kA
EZFBV26TE025†	25	2X	FBV, 25A, 2P, 600VAC	65kA	35kA	22kA
EZFBV26TE030†	30	2X	FBV, 30A, 2P, 600VAC	65kA	35kA	22kA
EZFBV26TE035†	35	2X	FBV, 35A, 2P, 600VAC	65kA	35kA	22kA
EZFBV26TE040†	40	2X	FBV, 40A, 2P, 600VAC	65kA	35kA	22kA
EZFBV26TE045†	45	2X	FBV, 45A, 2P, 600VAC	65kA	35kA	22kA
EZFBV26TE050†	50	2X	FBV, 50A, 2P, 600VAC	65kA	35kA	22kA
EZFBV26TE060†	60	2X	FBV, 60A, 2P, 600VAC	65kA	35kA	22kA
EZFBV26TE070†	70	2X	FBV, 70A, 2P, 600VAC	65kA	35kA	22kA
EZFBV26TE080†	80	2X	FBV, 80A, 2P, 600VAC	65kA	35kA	22kA
EZFBV26TE090†	90	2X	FBV, 90A, 2P, 600VAC	65kA	35kA	22kA
EZFBV26TE100†	100	2X	FBV, 100A, 2P, 600VAC	65kA	35kA	22kA
EZFBN16TE015†	15	1X	FBN, 15A, 1P, 600VAC	65kA	-	-
EZFBN16TE020†	20	1X	FBN, 20A, 1P, 600VAC	65kA	-	-
EZFBN16TE025†	25	1X	FBN, 25A, 1P, 600VAC	65kA	-	-
EZFBN16TE030†	30	1X	FBN, 30A, 1P, 600VAC	65kA	-	-
EZFBN16TE035†	35	1X	FBN, 35A, 1P, 600VAC	65kA	-	-
EZFBN16TE040†	40	1X	FBN, 40A, 1P, 600VAC	65kA	-	-
EZFBN16TE045†	45	1X	FBN, 45A, 1P, 600VAC	65kA	-	-

Ratings (Cont.)

Record Plus™ FB Branch Circuit Breakers (Cont.)

BREAKER CAT NO.	MAX. RATING AMPS	REQ. BUS SPACE*	CIRCUIT BREAKER TYPE	SHORT CIRCUIT RATINGS, KA		
				240V	480V	600V
EZFBN16TE050†	50	1X	FBN, 50A, 1P, 600VAC	65kA	-	-
EZFBN16TE060†	60	1X	FBN, 60A, 1P, 600VAC	65kA	-	-
EZFBN16TE070†	70	1X	FBN, 70A, 1P, 600VAC	65kA	-	-
EZFBN16TE080†	80	1X	FBN, 80A, 1P, 600VAC	65kA	-	-
EZFBN16TE090†	90	1X	FBN, 90A, 1P, 600VAC	65kA	-	-
EZFBN16TE100†	100	1X	FBN, 100A, 1P, 600VAC	65kA	-	-
EZFBN26TE015†	15	2X	FBN, 15A, 2P, 600VAC	150kA	65kA	25kA
EZFBN26TE020†	20	2X	FBN, 20A, 2P, 600VAC	150kA	65kA	25kA
EZFBN26TE025†	25	2X	FBN, 25A, 2P, 600VAC	150kA	65kA	25kA
EZFBN26TE030†	30	2X	FBN, 30A, 2P, 600VAC	150kA	65kA	25kA
EZFBN26TE035†	35	2X	FBN, 35A, 2P, 600VAC	150kA	65kA	25kA
EZFBN26TE040†	40	2X	FBN, 40A, 2P, 600VAC	150kA	65kA	25kA
EZFBN26TE045†	45	2X	FBN, 45A, 2P, 600VAC	150kA	65kA	25kA
EZFBN26TE050†	50	2X	FBN, 50A, 2P, 600VAC	150kA	65kA	25kA
EZFBN26TE060†	60	2X	FBN, 60A, 2P, 600VAC	150kA	65kA	25kA
EZFBN26TE070†	70	2X	FBN, 70A, 2P, 600VAC	150kA	65kA	25kA
EZFBN26TE080†	80	2X	FBN, 80A, 2P, 600VAC	150kA	65kA	25kA
EZFBN26TE090†	90	2X	FBN, 90A, 2P, 600VAC	150kA	65kA	25kA
EZFBN26TE100†	100	2X	FBN, 100A, 2P, 600VAC	150kA	65kA	25kA
EZFBH16TE015†	15	1X	FBH, 15A, 1P, 600VAC	100kA	-	-
EZFBH16TE020†	20	1X	FBH, 20A, 1P, 600VAC	100kA	-	-
EZFBH16TE025†	25	1X	FBH, 25A, 1P, 600VAC	100kA	-	-
EZFBH16TE030†	30	1X	FBH, 30A, 1P, 600VAC	100kA	-	-
EZFBH16TE035†	35	1X	FBH, 35A, 1P, 600VAC	100kA	-	-
EZFBH16TE040†	40	1X	FBH, 40A, 1P, 600VAC	100kA	-	-
EZFBH16TE045†	45	1X	FBH, 45A, 1P, 600VAC	100kA	-	-
EZFBH16TE050†	50	1X	FBH, 50A, 1P, 600VAC	100kA	-	-
EZFBH16TE060†	60	1X	FBH, 60A, 1P, 600VAC	100kA	-	-
EZFBH16TE070†	70	1X	FBH, 70A, 1P, 600VAC	100kA	-	-
EZFBH16TE080†	80	1X	FBH, 80A, 1P, 600VAC	100kA	-	-
EZFBH16TE090†	90	1X	FBH, 90A, 1P, 600VAC	100kA	-	-
EZFBH16TE100†	100	1X	FBH, 100A, 1P, 600VAC	100kA	-	-
EZFBH26TE015†	15	2X	FBH, 15A, 2P, 600VAC	200kA	100kA	35kA

Ratings (Cont.)

Record Plus™ FB Branch Circuit Breakers (Cont.)

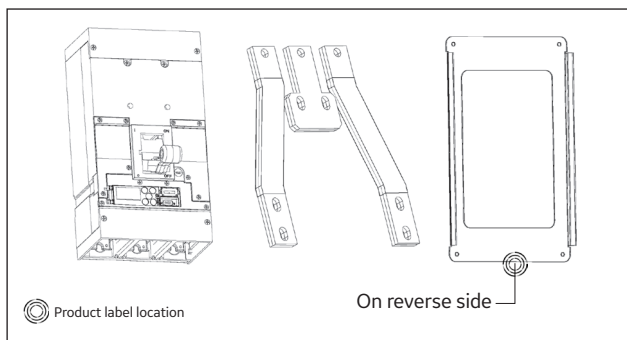
BREAKER CAT NO.	MAX. RATING AMPS	REQ. BUS SPACE*	CIRCUIT BREAKER TYPE	SHORT CIRCUIT RATINGS, KA		
				240V	480V	600V
EZFBH26TE020†	20	2X	FBH, 20A, 2P, 600VAC	200kA	100kA	35kA
EZFBH26TE025†	25	2X	FBH, 25A, 2P, 600VAC	200kA	100kA	35kA
EZFBH26TE030†	30	2X	FBH, 30A, 2P, 600VAC	200kA	100kA	35kA
EZFBH26TE035†	35	2X	FBH, 35A, 2P, 600VAC	200kA	100kA	35kA
EZFBH26TE040†	40	2X	FBH, 40A, 2P, 600VAC	200kA	100kA	35kA
EZFBH26TE045†	45	2X	FBH, 45A, 2P, 600VAC	200kA	100kA	35kA
EZFBH26TE050†	50	2X	FBH, 50A, 2P, 600VAC	200kA	100kA	35kA
EZFBH26TE060†	60	2X	FBH, 60A, 2P, 600VAC	200kA	100kA	35kA
EZFBH26TE070†	70	2X	FBH, 70A, 2P, 600VAC	200kA	100kA	35kA
EZFBH26TE080†	80	2X	FBH, 80A, 2P, 600VAC	200kA	100kA	35kA
EZFBH26TE090	90	2X	FBH, 90A, 2P, 600VAC	200kA	100kA	35kA
EZFBH26TE100†	100	2X	FBH, 100A, 2P, 600VAC	200kA	100kA	35kA

* Circuit breaker kits described above can be installed in the panelboard in any available position, assuming adequate space.

† Catalog numbers listed above have suffix "R2" followed by either "A", "B", "C", "AB", "AC" or "BC". See Catalog Number Structure for details.

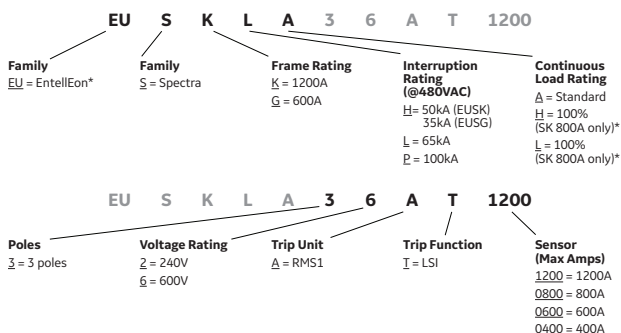
Notes

Vertical Main Breaker Kits

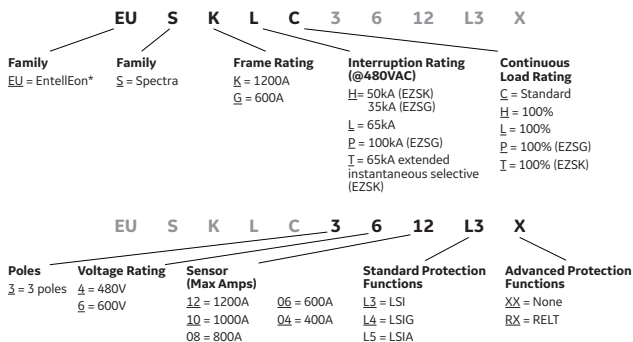


Catalog Number Structure

For vertical main breakers without Micro EntelliGuard Trip (MET) units:



For vertical main breakers with Micro EntelliGuard Trip (MET) units:



Compatibility

VERTICAL MAIN BREAKER FRAME RATING		
ENCLOSURE*	G	K
ENC6030A		
ENC7230A	•	
ENC8430A	•	•
ENC9630A	•	•
ENC6040A		
ENC7240A	•	

VERTICAL MAIN BREAKER FRAME RATING		
ENCLOSURE*	G	K
ENC8440A	•	•
ENC9640A	•	•
ENC6045A		
ENC7245A	•	
ENC8445A	•	•
ENC9645A	•	•

* Enclosure size refers to minimum height based on panelboard interior length and main type.

Ratings

Vertical Main Breakers without Micro EntelliGuard Trip (MET) Units

VERTICAL MAIN BREAKER CAT NO.	MAX. RATING AMPS	CIRCUIT BREAKER TYPE	SHORT CIRCUIT RATINGS, KA		
			240V	480V	600V
EUSKLA36AT1200	1200	SKL, 1200A, 3P, 600VAC	100KA	65KA	42KA
EUSKHA36AT1200	1200	SKH, 1200A, 3P, 600VAC	65KA	50KA	25KA
EUSKLA36AT0800	800	SKL, 800A, 3P, 600VAC	100KA	65KA	42KA
EUSKHA36AT0800	800	SKH, 800A, 3P, 600VAC	65KA	50KA	25KA
EUSKHH36AT0800	800	SKH, 800A, 3P, 600VAC	65KA	50KA	25KA
EUSKLL36AT0800	800	SKL, 800A, 3P, 600VAC	100KA	65KA	42KA
EUSGPA36AT0600	600	SGP, 600A, 3P, 600VAC	200KA	100KA	65KA
EUSGLA36AT0600	600	SGL, 600A, 3P, 600VAC	100KA	65KA	65KA
EUSGHA36AT0600	600	SGH, 600A, 3P, 600VAC	65KA	35KA	25KA
EUSGPA36AT0400	400	SGP, 400A, 3P, 600VAC	200KA	100KA	65KA
EUSGPP36AT0400	400	SGP, 400A, 3P, 600VAC	200KA	100KA	65KA
EUSGLA36AT0400	400	SGL, 600A, 3P, 600VAC	100KA	65KA	65KA
EUSGLL36AT0400	400	SGL, 600A, 3P, 600VAC	100KA	65KA	65KA
EUSGHA36AT0400	400	SGH, 600A, 3P, 600VAC	65KA	35KA	25KA
EUSGHH36AT0400	400	SGH, 600A, 3P, 600VAC	65KA	35KA	25KA
EUSGDA32AT0400	400	SGD, 600A, 3P, 240VAC	65KA	-	-

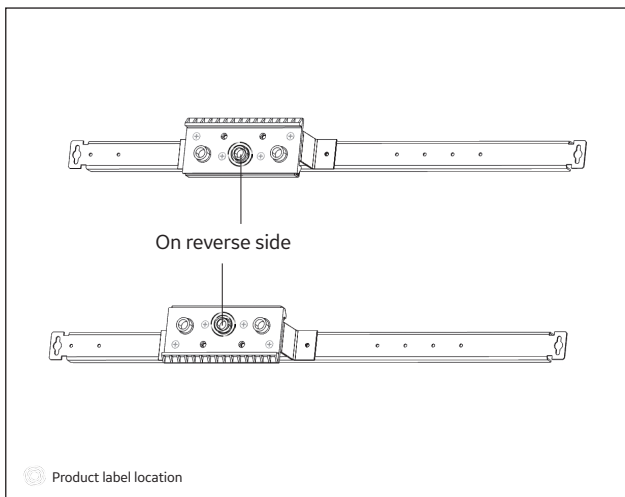
Ratings (Cont.)

Vertical Main Breakers with Micro EntelliGuard Trip (MET) Units

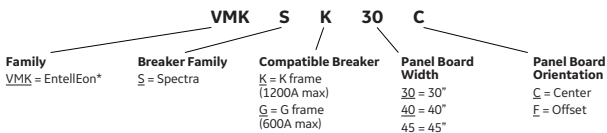
VERTICAL MAIN BREAKER CAT NO.	MAX. RATING AMPS	CIRCUIT BREAKER TYPE	SHORT CIRCUIT RATINGS, KA		
			240V	480V	600V
EUSKLC3612 [†]	1200	SKL, 1200A, 3P, 600Vac	100kA	65kA	42kA
EUSKHC3612 [†]	1200	SKH, 1200A, 3P, 600Vac	65kA	50kA	25kA
EUSKTC3412 [†]	1200	SKT, 1200A, 3P, 480Vac	100kA	65kA	42kA
EUSKLL3610 [†]	1000	SKL, 1000A, 3P, 600Vac	100kA	65kA	42kA
EUSKHH3610 [†]	1000	SKH, 1000A, 3P, 600Vac	65kA	50kA	25kA
EUSKTT3410 [†]	1000	SKT, 1000A, 3P, 480Vac	100kA	65kA	42kA
EUSKLC3608 [†]	800	SKL, 800A, 3P, 600Vac	100kA	65kA	42kA
EUSKHC3608 [†]	800	SKH, 800A, 3P, 600Vac	65kA	50kA	25kA
EUSKTC3408 [†]	800	SKT, 800A, 3P, 480Vac	100kA	65kA	42kA
EUSGPC3606 [†]	600	SGP, 600A, 3P, 600Vac	200kA	100kA	65kA
EUSGLC3606 [†]	600	SGL, 600A, 3P, 600Vac	100kA	65kA	65kA
EUSGHC3606 [†]	600	SGH, 600A, 3P, 600Vac	65kA	35kA	25kA
EUSGPC3604 [†]	400	SGP, 400A, 3P, 600Vac	200kA	100kA	65kA
EUSGPP3604 [†]	400	SGP, 400A, 3P, 600Vac	200kA	100kA	65kA
EUSGLC3604 [†]	400	SGL, 400A, 3P, 600Vac	100kA	65kA	65kA
EUSGLL3604 [†]	400	SGL, 400A, 3P, 600Vac	100kA	65kA	65kA
EUSGHC3604 [†]	400	SGH, 400A, 3P, 600Vac	65kA	35kA	25kA
EUSGHH3604 [†]	400	SGH, 400A, 3P, 600Vac	65kA	35kA	25kA

[†] Catalog numbers listed above have suffixes "L3" or "L4" or "L5" followed by either "X" or "R". See Catalog Number Structure for details.

Vertical Main Mounting Kits



Catalog Number Structure



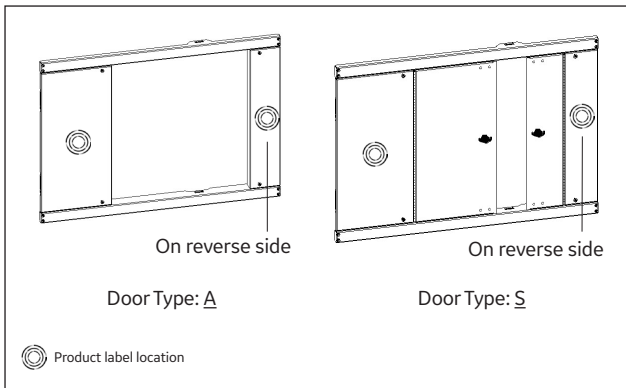
Compatibility

VERTICAL MAIN MOUNTING KIT WIDTH			
ENCLOSURE*	30"	40"	45"
ENC6030A	•		
ENC7230A	•		
ENC8430A	•		
ENC9630A	•		
ENC6040A		•	
ENC7240A		•	
ENC8440A		•	
ENC9640A		•	
ENC6045A			•
ENC7245A			•
ENC8445A			•
ENC9645A			•

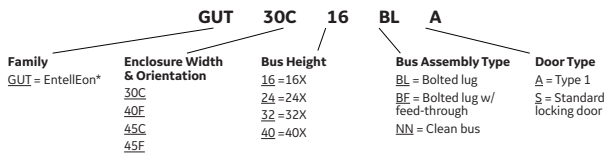
VERTICAL MAIN MOUNTING KIT WIDTH + ORIENTATION				
WIDTH:	30"	40"	45"	
ORIENTATION:	CENTER	OFFSET	CENTER	OFFSET
FRM1630C	•			
FRM2430C	•			
FRM3230C	•			
FRM4030C	•			
FRM1640F		•		
FRM2440F		•		
FRM3240F		•		
FRM4040F		•		
FRM1645C			•	
FRM2445C			•	
FRM3245C			•	
FRM4045C			•	
FRM1645F				•
FRM2445F				•
FRM3245F				•
FRM4045F				•

INTERIOR FRAME

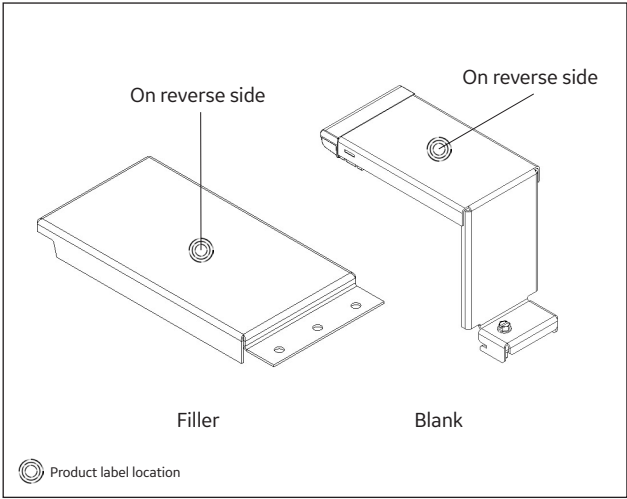
Gutter Covers



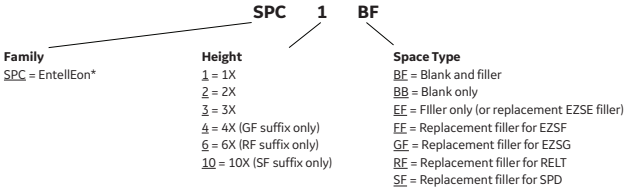
Catalog Number Structure



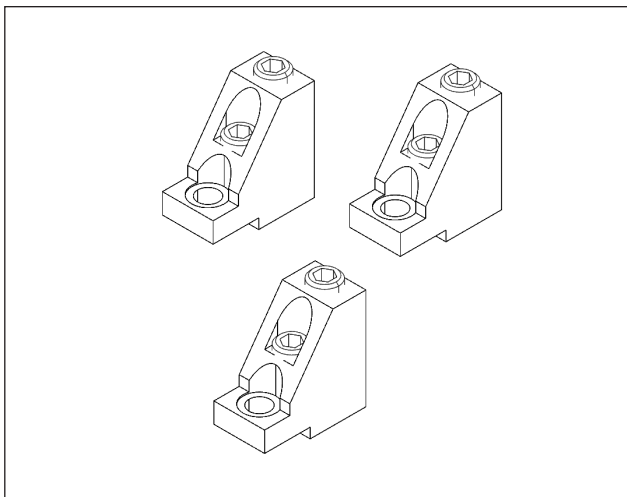
Spacer Kits



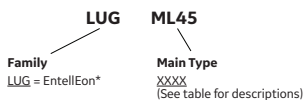
Catalog Number Structure



Main Lug Kits



Catalog Number Structure



Compatibility

MECHANICAL LUGS		
MAIN	FEED-THROUGH	
	N	Y
2 - 500KCMIL	ML25	FL25
2 - 600KCMIL	ML26	FL26
2 - 750KCMIL	ML27	FL27

MECHANICAL LUGS		
MAIN	FEED-THROUGH	
	N	Y
4 - 500KCMIL	ML45	FL45
4 - 750KCMIL	ML47	FL47

Compatibility (Cont.)

DUAL MECHANICAL LUGS		
WIRE SIZE	QUANTITY	KIT
500KCMIL	2	DL25
	4	DL45
600KCMIL	2	DL26
750KCMIL	2	DL27
	4	DL47

Compatibility (Cont.)

COMPRESSION LUGS			
WIRE SIZE	QUANTITY	FEED-THROUGH	
		N	Y
1/0	2	C210	E210
2/0	2	C220	E220
3/0	1	C130	E130
	2	C230	E230
4/0	1	C140	E140
	2	C240	E240
250KCMIL	2	CL22	EC22
	4	CL42	EC42
300KCMIL	2	CL23	EC23
	4	CL43	EC43
350KCMIL	2	C235	E235
	4	C435	E435
400KCMIL	2	CL24	EC24
	4	CL44	EC44
500KCMIL	2	CL25	EC25
	4	CL45	EC45
600KCMIL	2	CL26	EC26
	4	CL46	EC46
750KCMIL	2	CL27	EC27
	4	CL47	EC47

Compatibility (Cont.)

DUAL COMPRESSION LUGS					
WIRE SIZE	QUANTITY	KIT	WIRE SIZE	QUANTITY	KIT
1/0	2	P210	350KCMIL	2	P235
2/0	2	P220		4	P435
3/0	1	P130	400KCMIL	2	PC24
	2	P230		4	PC44
4/0	1	P140	500KCMIL	2	PC25
	2	P240		4	PC45
250KCMIL	2	PC22	600KCMIL	2	PC26
	4	PC42		4	PC46
300KCMIL	2	PC23	750KCMIL	2	PC27
	4	PC43		4	PC47

Ratings

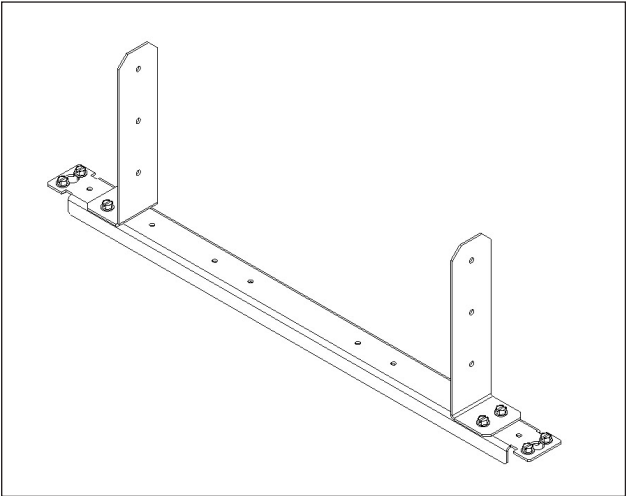
CATALOG NO.	AMPERE RATING	TYPE	WIRE RANGE / TYPE / TORQUE
LUGML*5	SEE NOTE ¹	MECHANICAL	#8-#3 / CU or AL / 275 in-lb #2-600KCMIL / CU or AL / 375 in-lb
LUGML*6 LUGML*7	SEE NOTE ¹	MECHANICAL	350KCMIL-750KCMIL / CU or AL / 500 in-lb
LUGFL*5	SEE NOTE ¹	MECHANICAL	#8-#3 / CU or AL / 275 in-lb #2-600KCMIL / CU or AL / 375 in-lb
LUGFL*6 LUGFL*7	SEE NOTE ¹	MECHANICAL	350KCMIL-750KCMIL / CU or AL / 500 in-lb
LUGDL*5	SEE NOTE ¹	MECHANICAL	#8-#3 / CU or AL / 275 in-lb #2-600KCMIL / CU or AL / 375 in-lb
LUGDL*6 LUGDL*7	SEE NOTE ¹	MECHANICAL	350KCMIL-750KCMIL / CU or AL / 500 in-lb
LUGC***	SEE NOTE ²	COMPRESSION	See Note 3 / 75°C CU or AL / NA
LUGE***	SEE NOTE ²	COMPRESSION	See Note 3 / 75°C CU or AL / NA
LUGP***	SEE NOTE ²	COMPRESSION	See Note 3 / 75°C CU or AL / NA

¹If one lug is provided per phase on incoming side, the max ampere rating is 600A. If two lugs are provided per phase on incoming side, the max ampere rating is 1200A. The same ratings apply to feed through lugs.

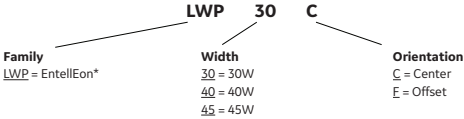
²Ampere rating determined from UL67 Table 10.1 based on wire size, wire material, and number of wires connected.

³Compression lug wire size for each lug kit described in CATALOG NUMBER STRUCTURE.

Wire Post Kits



Catalog Number Structure



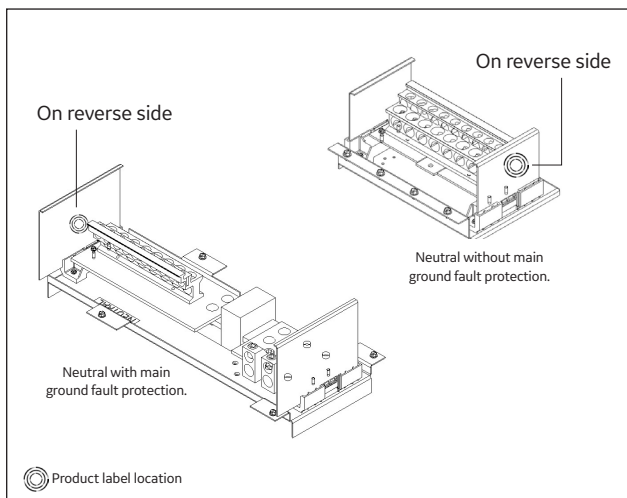
Compatibility

EntellEon* wire post kits are only used with main lug or feed-through lug kits.

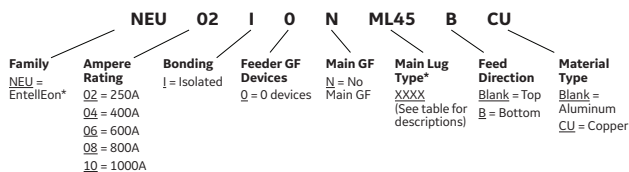
ENCLOSURE	WIRE POST KIT WIDTH		
	30"	40"	45"
ENC6030A	•		
ENC7230A	•		
ENC8430A	•		
ENC9630A	•		
ENC6040A		•	
ENC7240A		•	
ENC8440A		•	
ENC9640A		•	
ENC6045A			•
ENC7245A			•
ENC8445A			•
ENC9645A			•

INTERIOR FRAME	WIRE POST KIT WIDTH & ORIENTATION			
	30"	40"	45"	
	CENTER	OFFSET	CENTER	OFFSET
FRM1630C	•			
FRM2430C	•			
FRM3230C	•			
FRM4030C	•			
FRM1645C			•	
FRM2445C			•	
FRM3245C			•	
FRM4045C			•	
FRM1640F		•		
FRM2440F		•		
FRM3240F		•		
FRM4040F		•		
FRM1645F				•
FRM2445F				•
FRM3245F				•
FRM4045F				•

Neutrals



Catalog Number Structure



*For neutrals without main ground fault protection and standard lugs, "Main Lug Type" characters are blank.

MECHANICAL LUGS

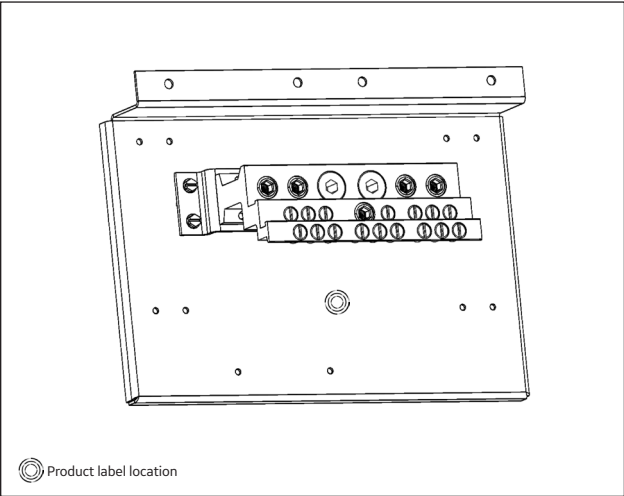
TYPE	NEUTRAL MAIN LUG WIRES
ML25	2 - 500KCMIL
ML45	4 - 500KCMIL
ML27	2 - 750KCMIL
ML47	4 - 750KCMIL wires (vertical main)

Compatibility

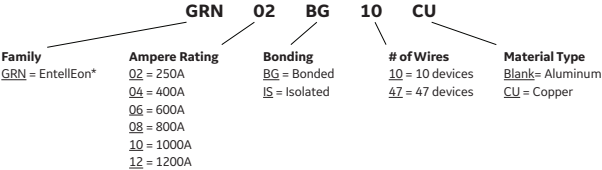
EntellEon* neutral kits with ground fault protection are only compatible with main breaker or vertical main breaker kits with Micro EntelliGuard Trip (MET) units installed.

ENCLOSURE	NEUTRAL WITH MAIN GROUND FAULT	INTERIOR FRAME	NEUTRAL WITH MAIN GROUND FAULT
ENC6030A		FRM1630C	
ENC7230A		FRM2430C	
ENC8430A		FRM3230C	
ENC9630A		FRM4030C	
ENC6040A	•	FRM1645C	•
ENC7240A	•	FRM2445C	•
ENC8440A	•	FRM3245C	•
ENC9640A	•	FRM4045C	•
ENC6045A	•	FRM1640F	•
ENC7245A	•	FRM2440F	•
ENC8445A	•	FRM3240F	•
ENC9645A	•	FRM4040F	•
		FRM1645F	•
		FRM2445F	•
		FRM3245F	•
		FRM4045F	•

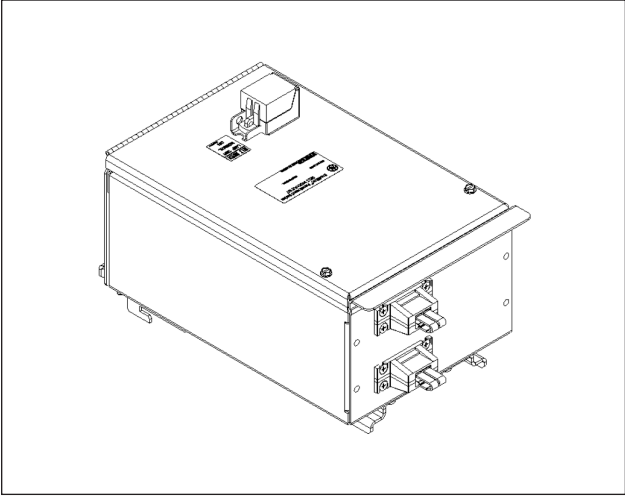
Grounds



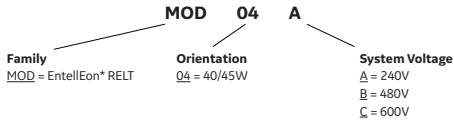
Catalog Number Structure



Advanced Protection Accessory Kits



Catalog Number Structure



Compatibility

ENCLOSURE	ADVANCED PROTECTION ACCESSORY KIT ORIENTATION
	40/45W
ENC6030A	
ENC7230A	
ENC8430A	
ENC9630A	
ENC6040A	•*
ENC7240A	•*
ENC8440A	•*
ENC9640A	•*
ENC6045A	•*
ENC7245A	•*
ENC8445A	•*
ENC9645A	•*

* 40/45W advanced protection accessory kit can be mounted on the offset side of a 40" or 45" wide enclosure.

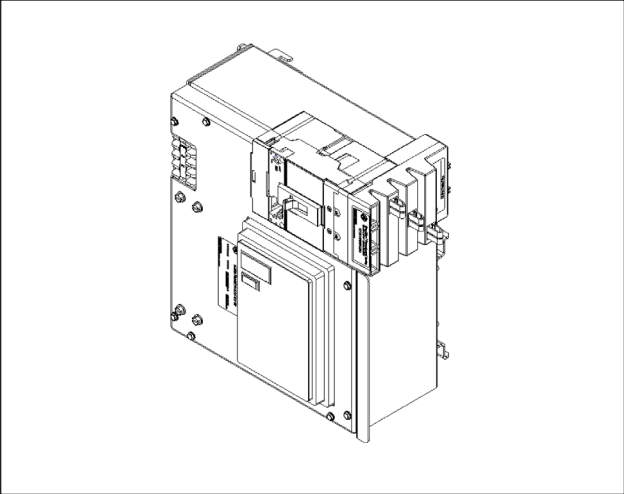
INTERIOR FRAME	ADVANCED PROTECTION ACCESSORY KIT ORIENTATION
	40/45W
FRM1630C	
FRM2430C	
FRM3230C	
FRM4030C	
FRM1640F	•*
FRM2440F	•*
FRM3240F	•*
FRM4040F	•*
FRM1645C	•
FRM2445C	•
FRM3245C	•
FRM4045C	•
FRM1645F	•*
FRM2445F	•*
FRM3245F	•*
FRM4045F	•*

* 40/45W advanced protection accessory kit can be mounted on the offset side of a 40" or 45" wide frame.

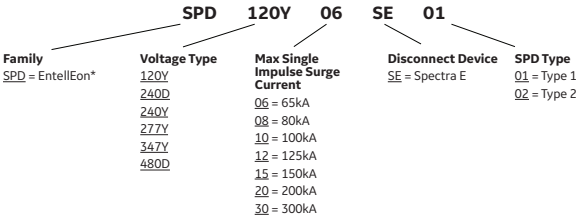
Ratings

ADVANCED PROTECTION ACCESSORY KIT CAT NO.	SYSTEM VOLTAGE	REQ. BUS SPACE	SHORT CIRCUIT RATING @ 480V, KA
MOD04A	240V	6X	100kA
MOD04B	480V	6X	100kA
MOD04C	600V	6X	100kA

Surge Protection Device (SPD) Kits



Catalog Number Structure



Compatibility

ENCLOSURE	SPD KIT	INTERIOR FRAME	SPD KIT
ENC6030A		FRM1630C	
ENC7230A		FRM2430C	
ENC8430A		FRM3230C	
ENC9630A		FRM4030C	
ENC6040A	.*	FRM1640F	.*
ENC7240A	.*	FRM2440F	.*
ENC8440A	.*	FRM3240F	.*
ENC9640A	.*	FRM4040F	.*
ENC6045A	.*	FRM1645C	.
ENC7245A	.*	FRM2445C	.
ENC8445A	.*	FRM3245C	.
ENC9645A	.*	FRM4045C	.
		FRM1645F	.*
		FRM2445F	.*
		FRM3245F	.*
		FRM4045F	.*

* SPD kits can be mounted on the offset side of a 40" or 45" wide enclosure.

* SPD kits can be mounted on the offset side of a 40" or 45" wide interior frame.

Ratings

Maximum Continuous Operating Voltage (MCOV)

115% of nominal system voltage or greater. 125% on 120-volt L-N/G models.

Minimum Repetitive Surge Current Capacity

The EntellEon Series 65kA - 300kA rated SPD kit is capable of surviving the following impulses, at one-minute intervals, without failure and with less than 10% change in protective characteristics.

IEEE C62.41 Category C3 (High) Exposure Level, 10kA / 8x20 μ s: 5,000 impulses

UL 1449 Nominal Discharge Current Rating (In)

20kA - Rated for use on UL 96A Lightning Protection Systems

Ratings (Cont.)

SPD Type / Recommended Locations

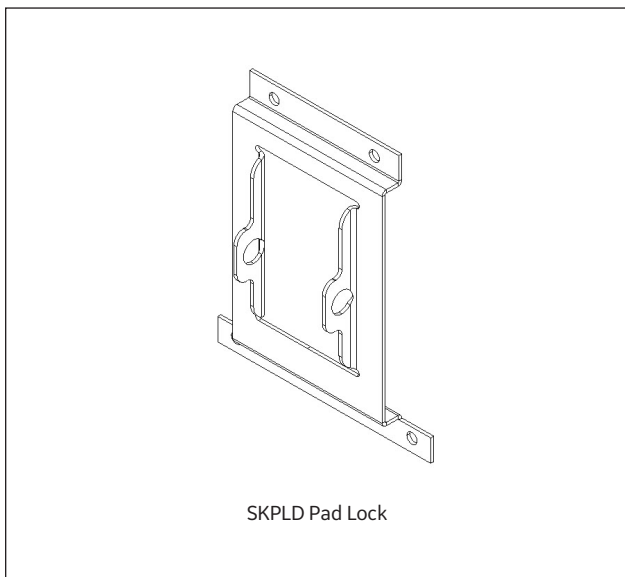
Service Entrance Equipment, Primary Distribution Equipment - Rated for UL and NEC 2008 Type 1 and Type 2 Installation Locations (see Catalog Number Structure and Ratings sections).

SPD KIT CAT NO.	MAXIMUM SINGLE IMPULSE SURGE CURRENT					UL SPD TYPE
	MODE L-L	MODE L-N	MODE N-G	MODE L-G	PHASE (L-N + L-G)	
SPD****06SE01	65kA	65kA	65kA	65kA	130kA	Type 1
SPD****06SE02	65kA	65kA	65kA	65kA	130kA	Type 2
SPD****08SE01	80kA	80kA	80kA	80kA	160kA	Type 1
SPD****08SE02	80kA	80kA	80kA	80kA	160kA	Type 2
SPD****10SE01	100kA	100kA	100kA	100kA	200kA	Type 1
SPD****10SE02	100kA	100kA	100kA	100kA	200kA	Type 2
SPD****12SE01	125kA	125kA	125kA	125kA	250kA	Type 1
SPD****12SE02	125kA	125kA	125kA	125kA	250kA	Type 2
SPD****15SE01	150kA	150kA	150kA	150kA	300kA	Type 1
SPD****15SE02	150kA	150kA	150kA	150kA	300kA	Type 2
SPD****20SE01	200kA	200kA	200kA	200kA	400kA	Type 1
SPD****20SE02	200kA	200kA	200kA	200kA	400kA	Type 2
SPD****30SE01	300kA	300kA	300kA	300kA	600kA	Type 1
SPD****30SE02	300kA	300kA	300kA	300kA	600kA	Type 2

* See Voltage Protection Ratings table.

For complete SPD ratings, see Tranquell Series Product Specification DET-514

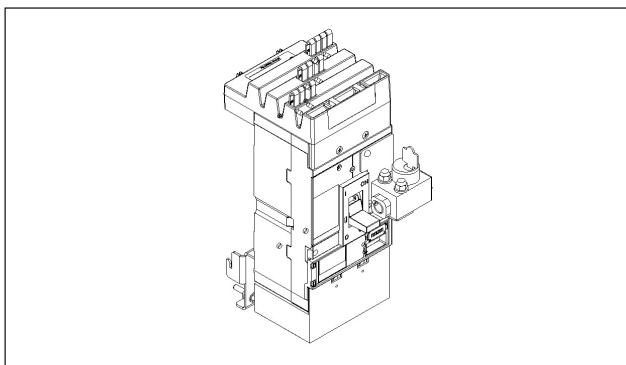
Pad Lock



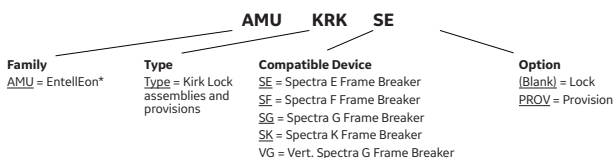
BREAKER-PAD LOCK RELATION

BREAKER TYPE	PAD LOCK KIT
SE	SEPLD
SF	SEPLD
SG	SGPLD
SK	SKPLD
FB	FB1PF

Kirk Lock Kits



Catalog Number Structure



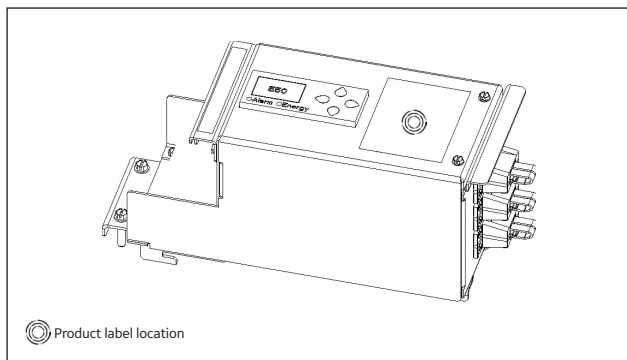
Compatibility

KIT COMPATIBILITY CHART

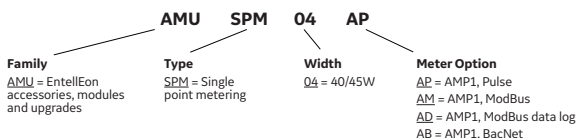
KIT CAT. NOS.	BREAKER TYPE	REQUIRED BUS SPACE
AMUKRKSE	SE	4X
AMUKRKSEPROV	SE	4X
AMUKRKSF	SF	4X
AMUKRKSFPROV	SF	4X
AMUKRKSG	SG	5X
AMUKRKSGPROV	SG	5X
AMUKRKSK	SK	6X
AMUKRKSKPROV	SK	6X
AMUKRKVG	SG (vertical)	N/A
AMUKRKVGPROV	SG (vertical)	N/A

*Two kits can be used as an interlock system when label kit AMUKRKLBL is included.

Meter Box Kits



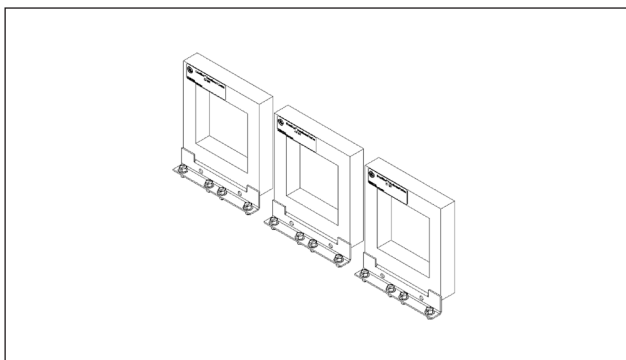
Catalog Number Structure



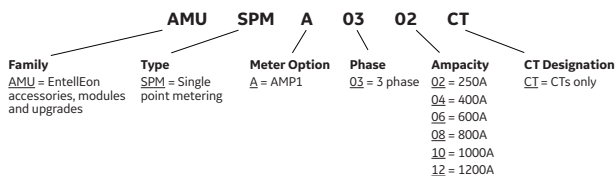
Compatibility

INTERIOR FRAME	METER TYPE				INTERIOR FRAME	METER TYPE			
	AP	AM	AD	AB		AP	AM	AD	AB
FRM1630C					FRM1645C	•	•	•	•
FRM2430C					FRM2445C	•	•	•	•
FRM3230C					FRM3245C	•	•	•	•
FRM4030C					FRM4045C	•	•	•	•
FRM1640F	•	•	•	•	FRM1645F	•	•	•	•
FRM2440F	•	•	•	•	FRM2445F	•	•	•	•
FRM3240F	•	•	•	•	FRM3245F	•	•	•	•
FRM4040F	•	•	•	•	FRM4045F	•	•	•	•

Metering CT Kits



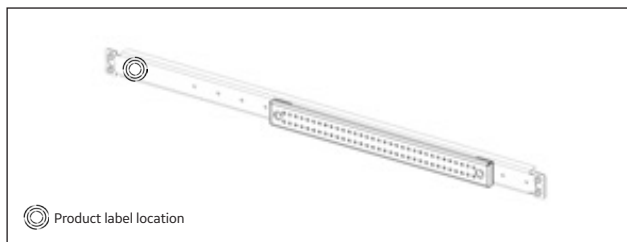
Catalog Number Structure



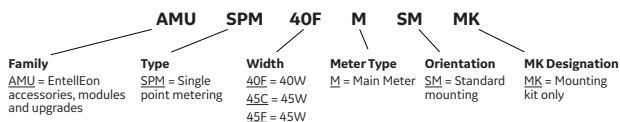
Compatibility

CT KIT CAT NO.	CIRCUIT BREAKER CAT NO.						
	EZSE	EZSF	EZSG	EZSK	EZFB	EUSG	EUSK
AMUSPMA0302CT		.	.			.	
AMUSPMA0304CT		
AMUSPMA0306CT		
AMUSPMA0308CT				.			.
AMUSPMA0310CT							.
AMUSPMA0312CT							.

Metering CT Mounting Kits



Catalog Number Structure



Compatibility

MOUNTING KIT ORIENTATION	CIRCUIT BREAKER CAT NO.						
	EZSE	EZSF	EZSG	EZSK	EZFB	EUSG	EUSK
SM	

Service Entrance

BREAKER-BARRIER KIT* RELATION

MAIN BREAKER	BARRIER KIT CATALOG NUMBER
SF 3 pole	SFLSB
SG 3 Pole	SGLSB
SK TCAL124 3 pole	SKLSB124
SK TCAL125 3 pole	SKLSB125

*Required if service entrance not ordered from factory.

Documentation Reference

DOCUMENT NAME	DOCUMENT NUMBER
Installation Guide	DEH0006882
RELT Guide	DEH0006883
SPD Guide	DEH0006884
Neutral Bonding Kit Guide	DEH0006885
AMP1 Main Meter Guide	DEH0006886
Kirk Lock Guide	DEH0006887
NEMA 3R, 4, 4X, and 12 Enclosures Guide	DEH0006888
Door-in-Door Guide	DEH0006889
Dual Main Lugs Guide	DEH0006890



CIRCUIT DIRECTORY

1	2
3	4
5	6
7	8
9	10
11	12
13	14
15	16
17	18
19	20
21	22
23	24
25	26
27	28
29	30
31	32
33	34
35	36
37	38
39	40

GE
41 Woodford Avenue
Plainville, CT 06062
www.geindustrial.com

*Registered trademark of the General Electric Company.
The GE brand, logo, and lumination are trademarks of the General Electric Company.
© 2018 General Electric Company. Information provided is subject to change without notice.
All values are design or typical values when measured under laboratory conditions.

DET-883, Rev. 08/2018