

ABB INDUSTRIAL DRIVES

ACS880-01 drives Frames R6 to R9

Quick installation guide



English.....	3	EN
English – USA...	9	USA
Dansk.....	17	DA
Deutsch.....	23	DE
Español.....	29	ES
Suomi.....	37	FI
Français.....	43	FR
Italiano.....	49	IT
Nederlands....	55	NL
Polski.....	61	PL
Português....	67	PT
Русский.....	73	RU
Svenska.....	81	SV
Türkçe.....	87	TR
中文.....	93	ZH

List of related manuals

Drive hardware manuals and guides	Code (English)
ACS880-01 hardware manual	3AJA0000078093
ACS880-01 quick installation guide for frames R1 to R3	3AJA0000085966
ACS880-01 quick installation guide for frames R4 and R5	3AJA0000099663
ACS880-01 quick installation guide for frames R6 to R9	3AJA0000099689
ACS880-01 +P940 drives for cabinet installation supplement	3AJA0000145446
ACS880-01 assembly drawings for cable entry boxes of IP21 frames R5 to R9	3AJA0000119627
ACS-AP-x assistant control panels user's manual	3AJA0000085685
Vibration dampers for ACS880-01 drives (frames R4 and R5, option +C131) installation guide	3AXD50000010497
Vibration dampers for ACS880-01 drives (frames R6 to R9, option +C131) installation guide	3AXD50000013389
ACS880-01 +C132 marine type-approved drives supplement	3AXD50000010521
ACS880-01 +N7502 drives for SynRM motors (0.8 to 200 kW) supplement	3AXD50000029482

Drive firmware manuals and guides

ACS880 primary control program firmware manual	3AJA0000085967
Quick start-up guide for ACS880 drives with primary control program	3AJA0000098062

Option manuals and guides

Manuals and quick guides for I/O extension modules, fieldbus adapter, etc.

You can find manuals and other product documents in PDF format on the Internet. See section Document library on the Internet on the inside of the back cover. For manuals not available in the Document library, contact your local ABB representative.

The code below opens an online listing of the manuals applicable to the product:



[ACS880-01 manuals](#)

EN – Quick installation guide

This guide instructs briefly how to install the drive. For more detailed instructions, engineering guide lines, technical data and complete safety instructions, see the hardware manual (www.abb.com/drives: Select *Document Library* and search for document number 3AUA0000078093 [English]).

Obey the safety instructions



WARNING! Obey these instructions. If you ignore them, injury or death, or damage to the equipment can occur:

- Only qualified electrical professionals are allowed to install and maintain the drive.
- Never work on the drive, motor cable or motor when main power is applied. If the drive is already connected to the input power, wait for 5 minutes after disconnecting the input power.
- Never work on the control cables when power is applied to the drive or to the external control circuits.
- Always ground the drive, the motor and adjoining equipment to the protective earth (PE) bus of the power supply.
- Make sure that debris from borings and grindings does not enter the drive when installing.
- Do not connect the drive to a voltage higher than what is marked on the type designation label.

The floor material below the drive must be non-flammable.

Check if capacitors need to be reformed

Reform the capacitors if the drive has not been powered (either in storage or unused) for a year or more.

You can determine the manufacturing date from the serial number, which you find on the type designation label attached to the drive. The serial number is of format MYYWWRXXXX. YY and WW tell the manufacturing year and week as follows:

YY: 17, 18, 19, ... for 2017, 2018, 2019, ...

WW: 01, 02, 03, ... for week 1, week 2, week 3, ...

For information on reforming the capacitors, see *Converter modules with electrolytic DC capacitors in the DC link capacitor reforming instructions*

(3BFE64059629 [English]), available on the Internet at www.abb.com/drives/documents.

Select the power cables

Size the power cables according to local regulations to carry the nominal current given on the type designation label of your drive.

Typical power cable sizes are listed in table *B* on page 102. For the conditions of the sizing, see the hardware manual.

EN

Ensure the cooling

See table *B* on page 102 for the losses and the cooling air flow through the drive. The allowed operating temperature range of the drive without derating is -15 to +40 °C.

Protect the drive and input power cables

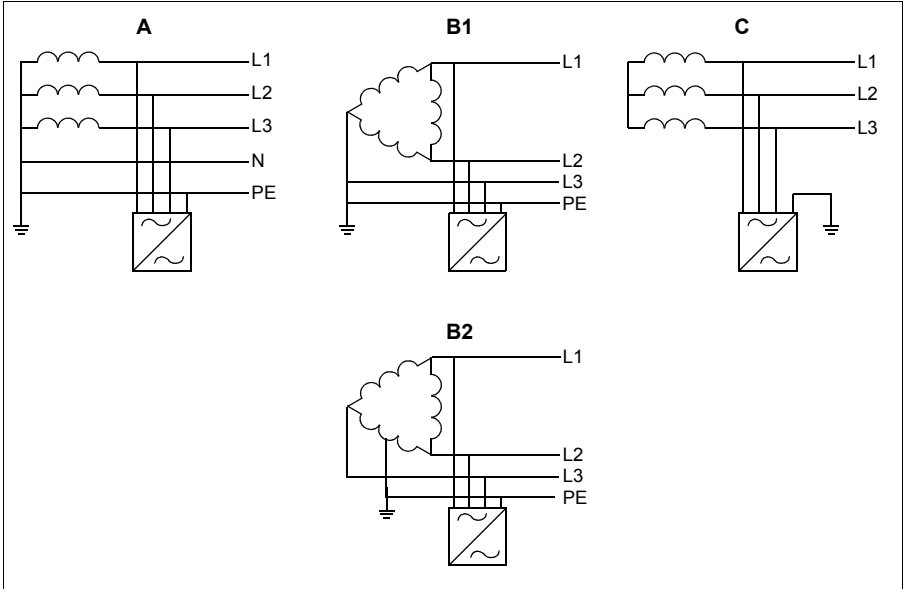
See table *B* on page 102.

Install the drive on the wall

See figure *A* on page 101.

Check the compatibility with IT (ungrounded), corner-grounded delta, midpoint-grounded delta and TT systems

The standard drive with ground-to-phase varistors connected can be installed to a symmetrically grounded TN-S system. For other systems, see the hardware manual and *ACS880 frames R1 to R11 EMC filter and ground-to-phase varistor disconnecting instructions* (3AUA0000125152 [English]).



A = TN-S system, B1 = Corner-grounded system, B2 = Midpoint-grounded system, C = IT system



WARNING! Do not install the drive with EMC filter options +E200 and +E202 connected to a system that the filter is not suitable for. This can cause danger, or damage the drive.



WARNING! Do not install the drive with the ground-to-phase varistor connected to a system that the varistor is not suitable for. If you do, the varistor circuit can be damaged. See the drive hardware manual.

Note: With option +E201, remove EMC AC, EMC DC and VAR screws in for systems other than TN-S if not removed at the factory. For more information, contact ABB.

Check the insulation of the input and motor cables and the motor

Check the insulation of the input cable according to local regulations before you connect it to the drive.

See figure *D* on page 103. Ground the motor cable shield at the motor end. For minimal interference, make a 360-degree grounding at the cable lead-through, or keep the pig tail short.

Check the insulation of the motor cable and motor when the cable is disconnected from the drive, see figure *E* on page 103. Measure the insulation resistance between each phase conductor and the Protective Earth conductor using a measuring voltage of 1000 V DC. The insulation resistance of an ABB motor must exceed 100 Mohm (reference value at 25 °C or 77 °F). For the insulation resistance of other motors, please consult the manufacturer's instructions. **Note:** Moisture inside the motor casing will reduce the insulation resistance. If moisture is suspected, dry the motor and repeat the measurement.

Attach the warning stickers in local languages

EN Connect the power cables

See figures *C* and *F* on pages 102 and 103. Use symmetrical shielded cable for the motor cabling.

1. Remove the front cover. IP21 units: Release the retaining clip with a screwdriver (a) and lift the cover from the bottom outwards (b).
 2. IP21 units: Remove the cable entry box cover by undoing the mounting screws.
 3. Attach the residual voltage warning sticker in the local language next to the control unit.
 4. Remove the side plates of the cable entry box.
 5. Remove the shroud on the power cable terminals by releasing the clips on the sides with a screwdriver and lifting (a). Knock out holes for the cables (b).
 6. For frames R8 and R9: If parallel cables are installed, knock out the shrouds on the power cable terminals for the cables to be installed.
 7. Cut adequate holes into the rubber grommets. Slide the grommets onto the cables. Prepare the cable ends. Slide the cables through the holes of the bottom plate and attach the grommets to the holes.
 8. Ground the cable shields 360 degrees under the grounding clamps.
 9. Connect the twisted cable shields to the grounding terminals.
 10. Connect the conductors of the input and motor cables. Tighten the screws.
 11. Units with option +D150: Connect the conductors of the brake resistor cable to the R+ and R- terminals.
 12. If parallel cables are installed, install the grounding shelf for them. Repeat steps 7 to 12.
 13. Reinstall the shroud on the power terminals.
 14. Reinstall the side plates of the cable entry box.
 15. Secure the cables outside the unit mechanically.
-

Connect the control cables

See figure [G](#).

1. Install the control cable grounding shelf in the cable entry box.
2. Cut adequate holes into the rubber grommets and slide the grommets onto the cables. Slide the cables through the holes of the bottom plate and attach the grommets to the holes.
3. Strip the cable ends and cut to suitable length (note the extra length of the grounding conductors).
4. Ground the outer shields of all control cables 360 degrees at a grounding clamp in the cable entry box.
5. Ground the pair-cable shields to a grounding clamp below the control board. Leave the other end of the shields unconnected or ground them indirectly via a high-frequency capacitor with a few nanofarads, eg. 3.3 nF / 630 V.
6. Connect the conductors to the appropriate terminals of the control board (see page [8](#)).
7. Wire the optional modules if included in the delivery.
8. Reinstall the front cover.

Note for fieldbus cabling. See figure [H](#).

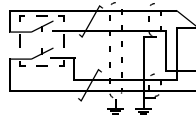
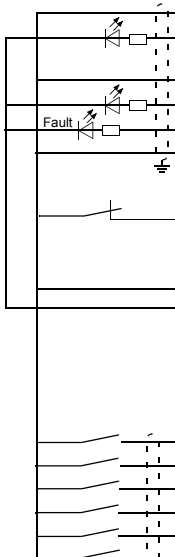
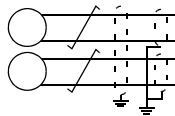
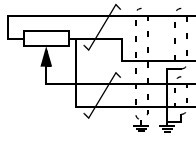
1. Install the additional grounding shelf.
2. Ground the outer shields of the cables 360 degrees at a grounding clamp.
3. Knock out holes in the cable entry box cover for the cables to be installed. Install the cable entry box cover.
4. Plug the connector to the fieldbus module.

Default I/O connections

The default I/O connections of the Factory macro of the ACS880 primary control program are shown below.

Wire sizes:
0.5 ... 2.5 mm²
(24...12 AWG)

Tightening
torques: 0.5 N·m
(5 lbf·in) for both
stranded and
solid wiring.



XPOW External power input

1	+24VI	24 V DC, 2 A
2	GND	

XAI Reference voltage and analog inputs

1	+VREF	10 V DC, R_L 1...10 kohm
2	-VREF	-10 V DC, R_L 1...10 kohm
3	AGND	Ground
4	AI1+	Speed reference 0(2)...10 V, $R_{in} > 200$ kohm
5	AI1-	
6	AI2+	By default not in use. 0(4)...20 mA, $R_{in} = 100$ ohm
7	AI2-	
J1	J1	AI1 current/voltage selection jumper
J2	J2	AI2 current/voltage selection jumper

XAO Analog outputs

1	AO1	Motor speed rpm 0...20 mA, $R_L < 500$ ohm
2	AGND	
3	AO2	Motor current 0...20 mA, $R_L < 500$ ohm
4	AGND	

XD2D Drive-to-drive link

1	B	Drive-to-drive link
2	A	
3	BGND	
J3	J3	Drive-to-drive link termination switch

XRO1, XRO2, XRO3 Relay outputs

11	NC	Ready 250 V AC / 30 V DC 2 A
12	COM	
13	NO	Running 250 V AC / 30 V DC 2 A
21	NC	
22	COM	Faulted(-1) 250 V AC / 30 V DC 2 A
23	NO	
31	NC	
32	COM	
33	NO	

XD24 Digital interlock

1	DIIL	Run enable
2	+24VD	+24 V DC 200 mA ¹⁾
3	DICOM	Digital input ground
4	+24VD	+24 V DC 200 mA ¹⁾
5	DIOGND	Digital input/output ground
J6	Ground selection switch	

XDIO Digital input/outputs

1	DIO1	Output: Ready
2	DIO2	Output: Running

XDI Digital inputs

1	DI1	Stop (0) / Start (1)
2	DI2	Forward (0) / Reverse (1)
3	DI3	Reset
4	DI4	Acceleration & deceleration select
5	DI5	Constant speed 1 (1 = On)
6	DI6	By default not in use.

XSTO Safe torque off

1	OUT1	Safe torque off. Both circuits must be closed for the drive to start.
2	SGND	
3	IN1	
4	IN2	

X12 Safety functions module connection

X13 Control panel connection

X205 Memory unit connection

1) Total load capacity of these outputs is 4.8 W (200 mA / 24 V) minus the power taken by DIO1 and DIO2.

EN – USA quick installation guide

This guide instructs briefly how to install the drive. For more detailed instructions, engineering guide lines, technical data and complete safety instructions, see the hardware manual (www.abb.com/drives: Select *Document Library* and search for document number 3AUA0000078093 [English]).

Obey the safety instructions



WARNING! Obey these instructions. If you ignore them, injury or death, or damage to the equipment can occur:

- Only qualified electrical professionals are allowed to install and maintain the drive.
- Never work on the drive, motor cable or motor when main power is applied. If the drive is already connected to the input power, wait for 5 minutes after disconnecting the input power.
- Never work on the control cables when power is applied to the drive or to the external control circuits.
- Always ground the drive, the motor and adjoining equipment to the protective earth (PE) bus of the power supply.
- Make sure that debris from borings and grindings does not enter the drive when installing.
- Do not connect the drive to a voltage higher than what is marked on the type designation label.

USA

The floor material below the drive must be non-flammable.

Check if capacitors need to be reformed

Reform the capacitors if the drive has not been powered (either in storage or unused) for a year or more.

You can determine the manufacturing date from the serial number, which you find on the type designation label attached to the drive. The serial number is of format MYYWWRXXXX. YY and WW tell the manufacturing year and week as follows:

YY: 17, 18, 19, ... for 2017, 2018, 2019, ...

WW: 01, 02, 03, ... for week 1, week 2, week 3, ...

For information on reforming the capacitors, see *Converter modules with electrolytic DC capacitors in the DC link capacitor reforming instructions*

(3BFE64059629 [English]), available on the Internet at www.abb.com/drives/documents.

Select the power cables

Size the power cables according to local regulations to carry the nominal current given on the type designation label of your drive.

Typical power cable sizes are listed in table *B* on page 102. For the conditions of the sizing, see the hardware manual.

Ensure the cooling

See table *A* on page 105 for the losses and the cooling air flow through the drive. The allowed operating temperature range of the drive without derating is -15 to +40 °C.

USA

Protect the drive and input power cable

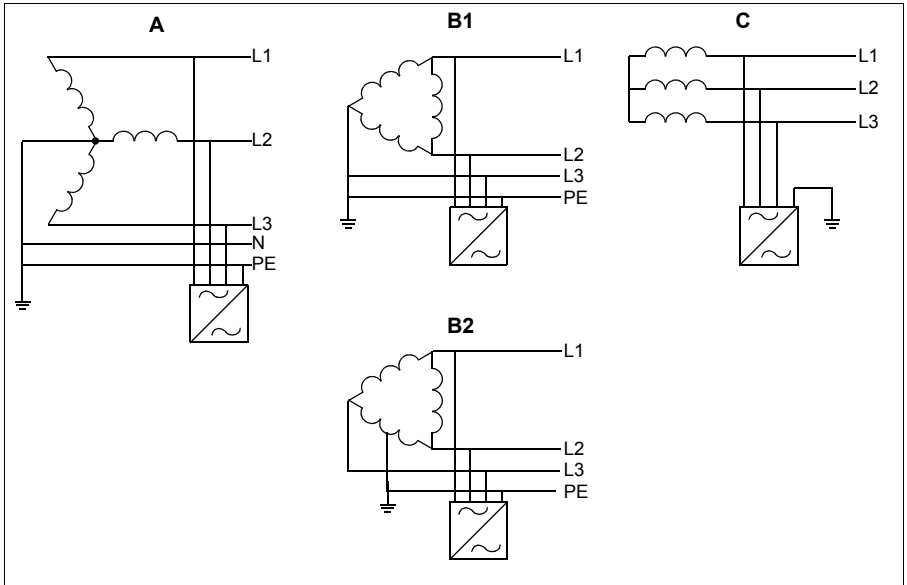
See table *A* on page 105 for the UL class T fuses for branch circuit protection per NEC. Check that the operating time of the fuse is below 0.5 seconds for frame R6 and below 0.1 seconds for frames R7 to R9. Obey local regulations.

Install the drive on the wall

See figure *A* on page 101. For UL Type 12 drives: Install also the hood to the drive.

Check the compatibility with IT (ungrounded), corner-grounded delta, midpoint-grounded delta and TT systems

The standard drive with ground-to-phase varistors connected can be installed to a symmetrically grounded TN-S system. For other systems, see the hardware manual and *ACS880 frames R1 to R11 EMC filter and ground-to-phase varistor disconnecting instructions* (3AUA0000125152 [English]).



A = TN-S system, B1 = Corner-grounded system, B2 = Midpoint-grounded system, C = IT system



WARNING! Do not install the drive with EMC filter options +E200 and +E202 connected to a system that the filter is not suitable for. This can cause danger, or damage the drive.



WARNING! Do not install the drive with the ground-to-phase varistor connected to a system that the varistor is not suitable for. If you do, the varistor circuit can be damaged. See the drive hardware manual.

Note: With option +E201, remove EMC AC, EMC DC and VAR screws in for systems other than TN-S if not removed at the factory. For more information, contact ABB.

Check the insulation of the input and motor cables and the motor

Check the insulation of the input cable according to local regulations before connecting it to the drive.

Check the insulation of the motor cable and motor when the cable is disconnected from the drive, see figure *D* on page 105. Measure the insulation resistance between each phase conductor and the Protective Earth conductor using a measuring voltage of 1000 V DC. The insulation resistance of an ABB motor must exceed 100 Mohm (reference value at 25 °C or 77 °F). For the insulation resistance of other motors,

please consult the manufacturer's instructions. **Note:** Moisture inside the motor casing will reduce the insulation resistance. If moisture is suspected, dry the motor and repeat the measurement.

Connect the power cables

See figures [B](#), [C](#) and [E](#) on pages [105](#) and [106](#). Use symmetrical shielded cable for the motor cabling.

1. Remove the front cover. UL Type 1 drives: Release the retaining clip with a screwdriver (a) and lift the cover from the bottom outwards (b).
2. UL Type 1 drives: Remove the cable entry box cover by undoing the mounting screws.
3. Attach the residual voltage warning sticker in the local language next to the control board top.
4. Remove the side plates of the cable entry box.
5. Remove the shroud on the power cable terminals by releasing the clips on the sides with a screwdriver and lifting (a). If parallel cables are installed, knock out holes for the cables (b).
6. Knock out the shrouds on the power cable terminals for the cables to be installed.
7. Fasten the cable conduits to the cable lead-through plate holes. Strip the cable ends. Slide the cables through the connectors.
8. Connect the twisted cable shields to the grounding terminals.
9. Connect the conductors of the input and motor cables. Tighten the screws.
10. Units with option +D150: Connect the conductors of the brake resistor cable to the R+ and R- terminals.
11. Reinstall the shroud on the power terminals.
12. Reinstall the side plates of the cable entry box.
13. Secure the cables outside the unit mechanically.

Connect the control cables

Install the control cable grounding shelf in the cable entry box (see figure [F](#) on page [106](#)).

See figure [G](#) on page [106](#).

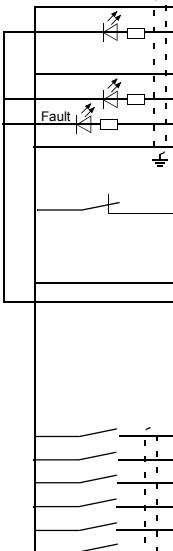
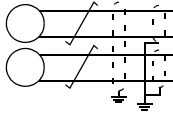
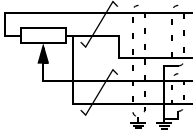
1. Fasten the cable conduits to the cable lead-through plate holes. Slide the cables through the connectors.
2. Strip the cable ends and cut to suitable length (note the extra length of the grounding conductors).
3. Ground the outer shields of all control cables 360 degrees at a grounding clamp in the cable entry box.
4. Ground the pair-cable shields to a grounding clamp below the control board. Leave the other end of the shields unconnected or ground them indirectly via a high-frequency capacitor with a few nanofarads, eg. 3.3 nF / 630 V.
5. Connect the conductors to the appropriate terminals of the control board (see page 14).
6. Wire the optional modules if included in the delivery. For fieldbus modules, see figure H on page 104
7. Reinstall the front covers.

Default I/O connections

The default I/O connections of the Factory macro of the ACS880 primary control program are shown below.

Wire sizes:
0.5 ... 2.5 mm²
(24...12 AWG)

Tightening
torques: 0.5 N·m
(5 lbf·in) for both
stranded and
solid wiring.



1) Total load
capacity of these
outputs is 4.8 W
(200 mA / 24 V)
minus the power
taken by DIO1 and
DIO2.

XPOW External power input

1	+24VI	24 V DC, 2 A
2	GND	

XAI Reference voltage and analog inputs

1	+VREF	10 V DC, R_L 1...10 kohm
2	-VREF	-10 V DC, R_L 1...10 kohm
3	AGND	Ground
4	AI1+	Speed reference 0(2)...10 V, $R_{in} > 200$ kohm
5	AI1-	
6	AI2+	By default not in use. 0(4)...20 mA, $R_{in} = 100$ ohm
7	AI2-	
J1	J1	AI1 current/voltage selection jumper
J2	J2	AI2 current/voltage selection jumper

XAO Analog outputs

1	AO1	Motor speed rpm 0...20 mA, $R_L < 500$ ohm
2	AGND	
3	AO2	Motor current 0...20 mA, $R_L < 500$ ohm
4	AGND	

XD2D Drive-to-drive link

1	B	Drive-to-drive link
2	A	
3	BGND	
J3	J3	Drive-to-drive link termination switch

XRO1, XRO2, XRO3 Relay outputs

1	NC	Ready 250 V AC / 30 V DC 2 A
2	COM	
3	NO	Running 250 V AC / 30 V DC 2 A
1	NC	
2	COM	Faulted(-1) 250 V AC / 30 V DC 2 A
3	NO	

XD24 Digital interlock

1	DIIL	Run enable
2	+24VD	+24 V DC 200 mA ¹⁾
3	DICOM	Digital input ground
4	+24VD	+24 V DC 200 mA ¹⁾
5	DIOGND	Digital input/output ground
J6	J6	Ground selection switch

XDIO Digital input/outputs

1	DIO1	Output: Ready
2	DIO2	Output: Running

XDI Digital inputs

1	DI1	Stop (0) / Start (1)
2	DI2	Forward (0) / Reverse (1)
3	DI3	Reset
4	DI4	Acceleration & deceleration select
5	DI5	Constant speed 1 (1 = On)
6	DI6	By default not in use.

XSTO Safe torque off

1	OUT1	Safe torque off. Both circuits must be closed for the drive to start.
2	SGND	
3	IN1	
4	IN2	

X12 Safety functions module connection

X13 Control panel connection

X205 Memory unit connection

USA

UL checklist

- Use the drive in a heated, indoor controlled environment. The drive must be installed in clean air according to enclosure classification. Cooling air must be clean, free from corrosive materials and electrically conductive dust.
- The maximum ambient air temperature is 40 °C (104 °F) at rated current. The current is derated for 40 to 55 °C (104 to 131 °F).
- The drive is suitable for use in a circuit capable of delivering not more than 100,000 rms symmetrical amperes, 600 V maximum. The ampere rating is based on tests done according to UL 508C.
- The cables located within the motor circuit must be rated for at least 75 °C (167 °F) in UL-compliant installations.
- The input cable must be protected with fuses. Circuit breakers must not be used without fuses in the USA. Suitable IEC (class aR) fuses and UL (class T) fuses are listed in the hardware manual. For suitable circuit breakers, contact your local ABB representative.
- For installation in the United States, branch circuit protection must be provided in accordance with the National Electrical Code (NEC) and any applicable local codes. To fulfill this requirement, use the UL classified fuses.
- For installation in Canada, branch circuit protection must be provided in accordance with the Canadian Electrical Code and any applicable provincial codes. To fulfill this requirement, use the UL classified fuses.
- The drive provides overload protection in accordance with the National Electrical Code (NEC).

USA



DA – Hurtig installationsvejledning

Denne guide er en kortfattet vejledning i, hvordan du installerer frekvensomformerer. Hvis du vil have mere detaljerede instruktioner, tekniske retningslinjer, tekniske data og komplette sikkerhedsinstruktioner, kan du se hardwaremanualen (www.abb.com/drives: Vælg *Document Library*, og søg efter dokumentnummer 3AUA0000078093 (på engelsk).

Overhold sikkerhedsinstruktionerne



ADVARSEL! Følg disse instruktioner. Hvis de ignoreres, kan det resultere i personskader, dødsfald eller skade på udstyret:

- Kun autoriserede elinstallatører må udføre installation og vedligeholdelse af frekvensomformerer.
- Undlad at arbejde med frekvensomformerer, motorkablet eller motoren, når tilslutning til nettet er foretaget. Hvis frekvensomformerer allerede er tilsluttet netforsyningen, skal du vente 5 minutter efter frakobling af netspændingen.
- Du må aldrig arbejde med signalkablerne, når netspændingen er tilsluttet frekvensomformerer eller de eksterne styrekredse.
- Frekvensomformerer, motoren og tilstødende udstyr skal altid jordes med strømforsyningens beskyttelsesjordbus (PE).
- Undgå, at der trænger smuds fra borer og sliberester ind i frekvensomformerer under installation.
- Frekvensomformerer må ikke tilsluttes til en spænding, der er højere end den, der er angivet på mærkatet med typebetegnelse.

DA

Gulvmaterialet under frekvensomformerer skal være ikke-brandbart.

Kontrollér, om det er nødvendigt at reformere kondensatorerne

Reformér kondensatorerne, hvis frekvensomformerer ikke har været tilsluttet strøm i over et år (opbevaret eller ikke anvendt).

Du kan bestemme produktionsdatoen ud fra serienummeret, som du finder på mærkatet med typebetegnelse på frekvensomformerer. Serienummeret har formatet MYYWWRXXXX. YY og WW angiver produktionsåret og ugen på følgende måde:

YY: 17, 18, 19, ... for 2017, 2018, 2019, ...

WW: 01, 02, 03, ... for uge 1, uge 2, uge 3, ...

Oplysninger om reformering af kondensatorer findes i *Converter modules with electrolytic DC capacitors in the DC link capacitor reforming instructions* (3BFE64059629 (på engelsk)), som findes på internettet på www.abb.com/drives/documents.

Vælg effektkabler

Vælg en størrelse til kablerne i henhold til lokale forskrifter til at bære den nominelle strøm, der er anført på mærkatet med typebetegnelsen på din frekvensomformer.

Typiske størrelser på netkabler er vist i tabellen **B** på side **102**. Se hardwaremanualen for oplysninger om betingelserne for størrelse.

Sørg for kølingen

Se tabel **B** på side **102** for tabene og frekvensomformerens gennemstrømning af kølende luft. Frekvensomformerens tilladte driftstemperaturområde uden reduktion er -15 til +40 °C.

DA

Beskyt frekvensomformereren og forsyningskablet

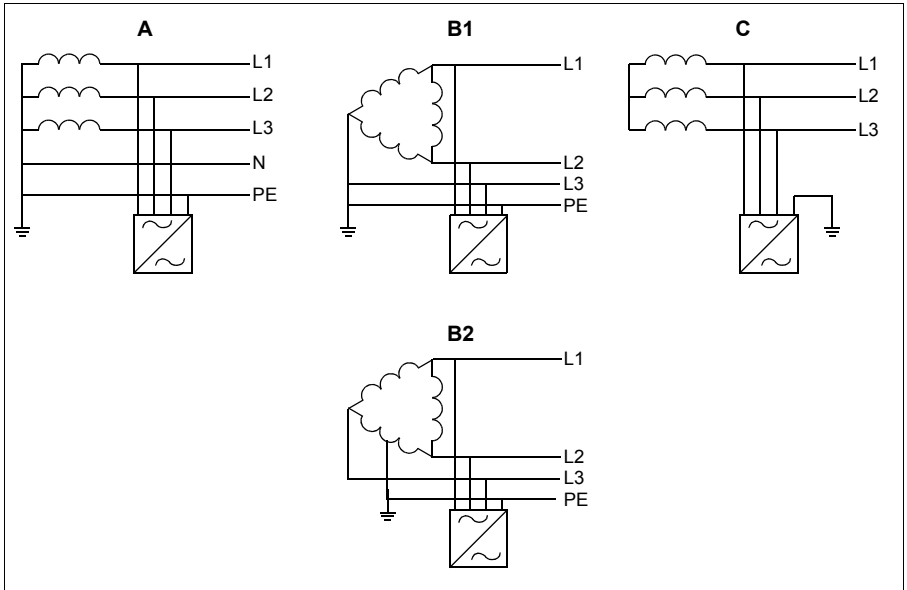
Se tabellen **B** på side **102**.

Installer frekvensomformereren på væggen

Se figur **A** på side **101**.

Kontrollér kompatibiliteten med IT-net (ujordede), hjørnejordede delta-, midtpunktsjordet delta- og TT-systemer

Standardfrekvensomformereren med tilsluttet jord-til-fase-varistorer kan installeres sammen med et symmetrisk jordet TN-S-system. Oplysninger om andre systemer finder du i hardwaremanualen samt i *ACS880 frames R1 to R11 EMC filter and ground-to-phase varistor disconnecting instructions* (3AUA0000125152 (på engelsk)).



A = TN-S-system, B1 = Hjørnejordet system, B2 = Midtpunktsjordet system, C = IT-system



ADVARSEL! Installer ikke en frekvensomformer med tilsluttet EMC-filter ekstrastyr +E200 og +E202 til et system, hvortil filtret ikke er egnet. Dette kan medføre fare eller ødelægge frekvensomformeren.



ADVARSEL! Installer ikke frekvensomformeren med tilsluttet jord-til-fase-varistor til et system, hvortil varistoren ikke er egnet. Hvis du gør det, kan varistorkredsløbet tage skade. Se frekvensomformerens hardwaremanual.

Bemærk! Hvis du anvender ekstrastyr +E201, skal du fjerne EMC AC-, EMC DC- og VAR-skruerne i andre systemer end TN-S, hvis de ikke allerede er fjernet på fabrikken. Kontakt ABB for at få yderligere oplysninger.

Kontroller isoleringen på forsynings- og motorkabel samt motoren

Kontrollér, at isoleringen af forsyningskablet er i overensstemmelse med de nationale forskrifter, inden du tilslutter det til frekvensomformeren.

Se figur **D** på side **103**. Tilslut motorkablets skærm i motoren. Opnå minimal interferens ved at lave en 360 graders jording ved kabelgennemføringen eller holde den snoede kobberskærm kort.

Kontrollér isoleringen af motorkabel og motor, når kablet er koblet fra frekvensomformereren. Se figur *E* på side *103*. Mål isolationsmodstanden mellem hver faseleder og beskyttelsesjordens leder med en målespænding på 1000 V DC. Isolationsmodstanden på en ABB-motor skal være større end 100 Mohm (referenceværdi ved 25 °C eller 77 °F). Se producentens instruktioner for at få oplysninger om isolationsmodstanden på andre motorer. **Bemærk!** Fugt inden i motorhuset reducerer isolationsmodstanden. Hvis der er mistanke om fugt, skal motoren tørres, og målingen gentages.

Fastgør advarselmærkaterne på de lokale sprog

Tilslut effektkablerne

Se figurerne *C* og *F* på siderne *102* og *103*. Anvend et skærmet symmetrisk kabel til motoren.

DA

1. Fjern frontdækslet. IP21-enheder: Løsn låsesplitten med en skruetrækker (a), og løft dækslet udad fra bunden (b).
 2. IP21-enheder: Fjern dæksel for kablektion ved at løsne monteringskruerne.
 3. Fastgør advarselmærkatet om restspænding på det lokale sprog ved siden af styreenheden.
 4. Fjern sidepladerne fra kabelindgangskassen.
 5. Fjern afdækningen for effektkabernes terminaler ved at frigøre splitterne og løfte afdækningen op fra siderne med en skruetrækker (a). Slå hullerne ud, hvor kablerne skal installeres (b).
 6. Til modulerne R8 og R9: Hvis der er installeret parallelkabler, skal du slå afskærmningerne ud på effektkabelterminalerne til de kabler, som skal installeres.
 7. Skær tilstrækkeligt store huller i gummimufferne. Træk mufferne over på kablerne. Forbered kabelenderne. Før kablerne gennem hullerne på bundpladen, og sæt mufferne fast i hullerne.
 8. Jord kabelskærmene 360 grader under jordingsklemmerne.
 9. Tilslut de snoede kabelskærme til jordterminaler.
 10. Forbind faselederne på forsynings- og motorterminalerne. Stram skruerne.
 11. Enheder med ekstraudstyr +D150: Forbind lederne i modstandskablet til terminalerne R+ og R-.
 12. Hvis der monteres parallelle kabler, monteres jordingsplint til dem. Gentag trin 7-12.
 13. Genmonter afskærmningen på effektterminalerne.
 14. Montér sidepladerne på kablektionen.
 15. Fastgør kablerne mekanisk uden for frekvensomformereren.
-

Tilslut styrekablerne

Se figur [G](#).

1. Installér styrekablets jordingsplint i kabelsektionen.
2. Klip passende huller i gummimufferne, og skub mufferne på kablerne. Før kablerne gennem hullerne på bundpladen, og sæt mufferne fast i hullerne.
3. Afisolér kabelenderne, og skær dem af i en passende længde (bemærk jordledningens ekstra længde).
4. Jord de ydre skærme på alle kabler 360 grader ved en jordingsklemme i kabelsektionen.
5. Jord de skærmede, snoede kabler til en jordklemme under styrekortet. Lad den anden ende af skærmene være frakoblet, eller slut dem indirekte til jord med en højfrekvenskondensator på nogle få nanofarad (f.eks. 3,3 nF / 630 V).
6. Forbind kablets ledere til de korrekte klemmer på styrekortet (se side [22](#)).
7. Forbind de valgfrie moduler, hvis de indgår i leverancen.
8. Genmonter frontdækslet.

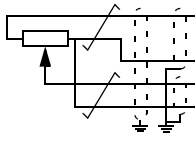
Bemærkning til kabelføring for fieldbuskommunikation. Se figur [H](#).

1. Montér den ekstra jordingsterminal.
2. Jord de udvendige skærme på kabler 360 grader ved en jordingsklemme.
3. Lav huller i kabelindgangskassens dæksel til de kabler, der skal installeres. Monter kabelindgangskassens dæksel.
4. Tilslut stikket til fieldbusmodulet.

I/O-standardtilslutninger

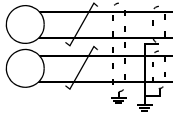
I/O-standardtilslutninger til fabriksmakroen for det primære styreprogram for ACS880 er vist herunder.

Ledningsstørrelse:
 0,5 ... 2,5 mm²
 (24...12 AWG)
 Fastspændingsmomenter:
 0,5 N·m (5 lbf·in)
 til både
 trådlede og
 stive ledere.



XPOW Ekstern strømforsyning		
1	+24V	24 V DC, 2 A
2	GND	

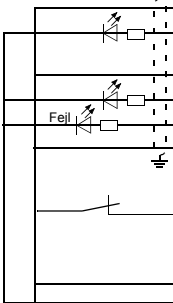
XAI Referencespænding og analoge indgange		
1	+VREF	10 V DC, R_i 1...10 kohm
2	-VREF	-10 V DC, R_i 1...10 kohm
3	AGND	Jord
4	AI1+	Hastighedsreference 0(2)...10 V, $R_{in} > 200$ kohm
5	AI1-	
6	AI2+	Som standardindstilling ubenyttet.
7	AI2-	
J1	J1	AI1-jumper til valg af strøm/spænding
J2	J2	AI2-jumper til valg af strøm/spænding



XAO Analoge udgange		
1	AO1	Motorhastighed 0/min 0...20 mA, $R_L < 500$ ohm
2	AGND	
3	AO2	Motorstrøm 0...20 mA, $R_L < 500$ ohm
4	AGND	

XD2D Drev-til-drev-forbindelse		
1	B	Drev-til-drev-forbindelse
2	A	
3	BGND	
J3	J3	Afbryder til drev til drev-forbindelse

XRO1, XRO2, XRO3 Relæudgange		
11	NC	Startklar 250 V AC / 30 V DC 2 A
12	COM	
13	NEJ	Kører 250 V AC / 30 V DC 2 A
21	NC	
22	COM	Fejl(-1) 250 V AC / 30 V DC 2 A
23	NEJ	
31	NC	Fejl(-1) 250 V AC / 30 V DC 2 A
32	COM	
33	NEJ	

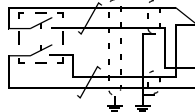


1) Den totale belastningskapacitet for disse udgange er 4,8 W (200 mA / 24 V) minus den strøm, der benyttes af DIO1 og DIO2.

XD24 Digital interlock		
1	DIIL	Start frigiv
2	+24VD	+24 V DC 200 mA ¹⁾
3	DICOM	Jording af digital indgang
4	+24VD	+24 V DC 200 mA ¹⁾
5	DIOGND	Jording af digital indgang/udgang
J6	J6	Afbryder til valg af jord

XDIO Digitale indgange/udgange		
1	DIO1	Udgang: Startklar
2	DIO2	Udgang: Kører

XDI Digital indgang		
1	DI1	Stop (0) / Start (1)
2	DI2	Forlæns (0) / Baglæns (1)
3	DI3	Nulstil
4	DI4	Acceleration og deceleration vælg
5	DI5	Konstant hastighed 1 (1 = Til)
6	DI6	Som standardindstilling ubenyttet.



XSTO Safe torque off		
1	OUT1	Safe torque off. Begge kredse skal være lukkede, for at frekvensomformereren kan starte.
2	SGND	
3	IN1	
4	IN2	

X12	Modulforbindelse med sikkerhedsfunktioner	
X13	Tilslutning til betjeningspanel	
X205	Tilslutning til hukommelsesenhed	

DA

DE – Kurzanleitung für die Installation

Diese Kurzanleitung beschreibt die Installation des Frequenzumrichters. Weitere Informationen, Planungsrichtlinien, technische Daten und die vollständigen Sicherheitsvorschriften finden Sie im Hardware-Handbuch. (www.abb.com/drives: Wählen Sie *Document Library* und suchen Sie die Dokumentennummer 3AUA0000078093 [Englisch]).

Befolgen Sie die Sicherheitsvorschriften



WARNUNG! Befolgen Sie diese Anweisungen. Wenn diese nicht befolgt werden, können Verletzungen, tödliche Unfälle oder Schäden an den Geräten auftreten:

- Installation und Wartung des Frequenzumrichters dürfen nur von qualifiziertem Fachpersonal ausgeführt werden.
- Am Frequenzumrichter, dem Motorkabel oder dem Motor dürfen keinerlei Arbeiten ausgeführt werden, solange die Netzspannung anliegt. Wenn der Frequenzumrichter bereits an die Spannungsversorgung angeschlossen ist/war, warten Sie 5 Minuten nach der Trennung von der Eingangsspannung.
- Führen Sie keine Arbeiten an den Steuerkabeln durch, wenn Spannung am Frequenzumrichter oder den externen Steuerkreisen anliegt.
- Erden Sie immer den Frequenzumrichter, den Motor und die benachbarten Geräte über die PE-Sammelschiene der Spannungsversorgung.
- Stellen Sie sicher, dass bei der Installation keine Bohrspäne und Staub in den Frequenzumrichter eindringen.
- Am Frequenzumrichter keine Spannung anlegen, die höher ist, als auf dem Typenschild angegeben.

DE

Der Boden unterhalb des Geräts muss aus nicht entflammablem Material bestehen.

Prüfen Sie, ob Kondensatoren nachformiert werden müssen

Die Kondensatoren müssen neu formiert werden, wenn der Frequenzumrichter für mehr als ein Jahr nicht eingeschaltet wurde (entweder gelagert oder nicht benutzt wurde).

Das Herstellungsdatum kann anhand der Seriennummer bestimmt werden, welche auf dem am Frequenzumrichter angebrachten Typenschild angegeben ist. Die Seriennummer hat das Format MJJWWRXXXX. JJ und WW geben das Herstellungsjahr und die -woche an:

JJ: 17, 18, 19, ... für 2017, 2018, 2019, ...

WW: 01, 02, 03, ... für Woche 1, Woche 2, Woche 3, ...

Informationen zum Formieren der Kondensatoren enthält die Anleitung *Converter modules with electrolytic DC capacitors in the DC link capacitor reforming instructions* (3BFE64059629 [Englisch], 3AUA0000044714 [Deutsch]), verfügbar im Internet unter www.abb.com/drives/documents.

Auswahl der Leistungskabel

Die Leistungskabel müssen nach den örtlichen Vorschriften für den auf dem Typenschild des Frequenzumrichters angegebenen Nennstrom ausreichend bemessen sein.

Typische Kabelgrößen sind in Tabelle **B** auf Seite **102** aufgelistet. Bedingungen der Dimensionierung siehe Hardware-Handbuch).

Ausreichende Kühlung sicherstellen

DE

Verluste und Kühlluftstrom durch den Frequenzumrichter siehe Tabelle **B** auf Seite **102**. Der zulässige Betriebstemperaturbereich für den Frequenzumrichter ohne Leistungsminderung beträgt -15 bis +40 °C.

Schutz des Frequenzumrichters und der Einspeisekabel

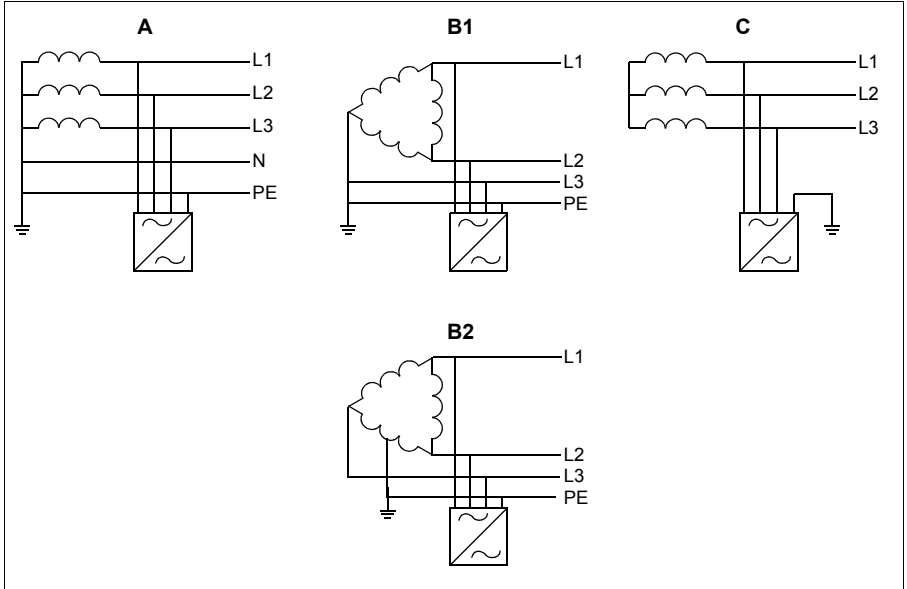
Siehe Tabelle **B** auf Seite **102**.

Wandmontage des Frequenzumrichters

Siehe Abbildung **A** auf Seite **101**.

Prüfung der Kompatibilität mit (ungeerdeten) IT-, asymmetrisch geerdeten, mittelpunktgeerdeten und TT-Netzen

Der Standard-Frequenzumrichter mit angeschlossenem Erde-Phase-Varistor kann an ein symmetrisch geerdetes TN-S-Netz angeschlossen werden. Andere Netze siehe Hardware-Handbuch und *ACS880 frames R1 to R11 EMC filter and ground-to-phase varistor disconnecting instructions* (3AUA0000125152 [Englisch]).



A = TN-S-Netz, B1 = asymmetrisch geerdetes Netz, B2 = mittelpunktgeerdetes Netz, C = IT-Netz



WARNUNG! Installieren Sie den Frequenzumrichter mit angeschlossenem EMV-Filteroptionen +E200 und +E202 nicht an einem Netz, für das der Filter nicht geeignet ist. Dadurch können Gefahren entstehen oder der Frequenzumrichter kann beschädigt werden.



WARNUNG! Installieren Sie den Frequenzumrichter mit angeschlossenem Erde-Phase-Varistor nicht an einem Netz, für das der Varistor nicht geeignet ist. Dann kann die Varistorschaltung beschädigt werden. Siehe das entsprechende Hardware-Handbuch des Frequenzumrichters.

Hinweise: Entfernen Sie mit Option +E201 die EMV AC-, EMV DC- und VAR-Schrauben für andere Netze als TN-S, falls dies nicht bereits ab Werk geschehen ist. Für weitere Informationen setzen Sie sich mit ABB in Verbindung.

Prüfen Sie die Isolierung der Einspeise- und Motorkabel und des Motors.

Prüfen Sie, ob die Isolierung des Netzanschlusskabels den örtlichen Vorschriften entspricht, bevor es an den Frequenzumrichter angeschlossen wird.

Siehe Abbildung **D** auf Seite **103**. Die Motorkabelschirme motorseitig an Erde/PE anschließen. Um eine geringe Interferenz sicherzustellen, eine 360-Grad-Erdung an der Kabeldurchführung vornehmen oder den verdrehten Schirm kurz halten.

Prüfen Sie die Isolation des Motorkabels und des Motors, wenn das Motorkabel vom Frequenzumrichter getrennt wird, siehe Abbildung **E** auf Seite **103**. Messen Sie die Isolationswiderstände zwischen jeder Phase und der Schutzterde mit einer Messspannung von 1000 V DC. Der Isolationswiderstand eines ABB-Motors muss 100 MOhm überschreiten (Referenzwert bei 25 °C bzw. 77 °F). Die Isolationswiderstände anderer Motoren entnehmen Sie bitte der Anleitung des Herstellers. **Hinweis:** Feuchtigkeit innerhalb des Motorgehäuses reduziert den Isolationswiderstand. Bei Verdacht auf Feuchtigkeit muss der Motor getrocknet und die Messung wiederholt werden.

Bringen Sie die Warnaufkleber in der Landessprache an

Anschluss der Leistungskabel

Siehe Abbildungen **C** und **F** auf Seite **102** und **103**. Ein symmetrisch geschirmtes Motorkabel verwenden.

1. Die Frontabdeckung entfernen. IP21 Einheiten: Den Halteclip mit einem Schraubendreher (a) lösen und die Abdeckung (b) nach außen abnehmen.
2. IP21 Einheiten: Die Abdeckung des Kabelanschlusskastens entfernen; hierzu die Befestigungsschrauben lösen.
3. Den Restspannungs-Warnaufkleber in der erforderlichen lokalen Sprache neben der Regelungseinheit anbringen.
4. Die Seitenverkleidungen des Kabelanschlusskastens entfernen.
5. Die Abdeckung von den Leistungskabelklemmen entfernen; hierzu die Clips an den Seiten lösen und die Abdeckung mit einem Schraubendreher (a) loshebeln. Öffnungen für die Kabel (b) ausbrechen.
6. Bei den Baugrößen R8 und R9: Wenn parallele Kabel installiert werden, die Abdeckungen an den Leistungskabelklemmen für die zu installierenden Kabel herausbrechen.
7. Passende Öffnungen in die Gummi-Kabeldurchführungen schneiden. Kabeldurchführungen auf die Kabel schieben. Die Kabelenden vorbereiten. Die Kabel durch die Öffnungen des unteren Abschlussblechs stecken und die Kabeldurchführungen in die Öffnungen drücken.
8. Die blanken Kabelschirme 360 Grad unter den Kabelschellen erden.
9. Die verdrehten Kabelschirme an die PE-Anschlüsse anschließen.
10. Die Leiter des Einspeise- und des Motorkabels anschließen. Ziehen Sie die Schrauben fest.
11. Einheiten mit Option +D150: Die Leiter des Bremswiderstandskabels an die Klemmen R+ und R- anschließen.

12. Wenn parallele Kabel installiert werden, hierfür die Erdungsschellenschiene anbringen. Die Schritte 7 bis 12 wiederholen.
13. Die Abdeckung wieder auf den Leistungskabelklemmen anbringen.
14. Die Seitenverkleidungen des Kabelanschlusskastens wieder anbringen.
15. Die Kabel außerhalb der Einheit mechanisch sichern.

Die Steuerkabel anschließen

Siehe Abbildung [G](#).

1. Die Steuerkabel-Erdungsschellenschiene im Kabelanschlusskasten installieren.
2. Eine passende Öffnung in die Gummi-Kabeldurchführungen schneiden und die Kabeldurchführungen auf die Kabel schieben. Die Kabel durch die Öffnungen des unteren Abschlussblechs stecken und die Kabeldurchführungen in die Öffnungen drücken.
3. Die Kabelenden abisolieren und auf die passende Länge abschneiden (beachten Sie die zusätzliche bei den Erdleitern benötigte Länge).
4. Für die äußeren Schirme aller Steuerkabel im Kabelanschlusskasten eine 360-Grad-Erdung an einer Erdungsschelle herstellen.
5. Die Kabelschirme an der Erdungsschelle unterhalb der Regelungseinheit erden. Das andere Ende der Schirme nicht anschließen oder indirekt über einen Hochfrequenz-Kondensator mit wenigen Nanofarad (z.B. 3,3 nF / 630 V) erden.
6. Schließen Sie die Leiter an die entsprechenden Anschlüsse der Regelungseinheit an (siehe Seite [28](#)).
7. Die Optionsmodule, falls im Lieferumfang enthalten, verdrahten.
8. Die Frontabdeckung wieder anbringen:

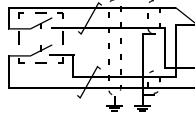
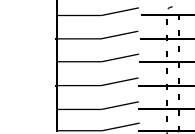
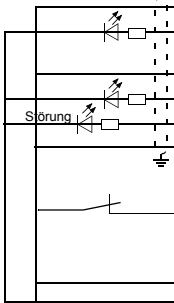
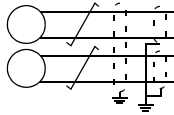
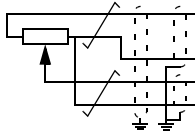
Hinweis zur Feldbusverkabelung. Siehe Abbildung [H](#).

1. Installieren Sie die zusätzliche Erdungsschellenschiene.
2. Die äußeren Schirme der Kabel 360 Grad unter der Erdungsschelle erden.
3. Für die zu installierenden Kabel die Abdeckungen aus den Öffnungen im Kabelanschlusskasten brechen. Die Abdeckung des Kabelanschlusskastens installieren.
4. Den Stecker an das Feldbus Modul anschließen.

Standard E/A-Anschlüsse

Die Standard-E/A-Anschlüsse des Makros Werkseinstellung des ACS880 Hauptregelungsprogramms sind nachfolgend dargestellt.

Leitergrößen:
0,5 ... 2,5 mm²
(24...12 AWG)
Anzugsmomente:
0,5 Nm (5 lbf-in)
für Litzen und
einadrige Leiter.



XPOW Eingang für externe Spannungsversorgung		
1	+24V	24 V DC, 2 A
2	GND/Masse	

XAI Referenzspannungsausgänge und Analogeingänge		
1	+VREF	10 V DC, R_i 1...10 kOhm
2	-VREF	-10 V DC, R_i 1...10 kOhm
3	AGND	Masse
4	AI1+	Drehzahl-Sollwert 0(2)...10 V, $R_{in} > 200$ kOhm
5	AI1-	Standardmäßig nicht benutzt.
6	AI2+	Standardmäßig nicht benutzt.
7	AI2-	0(4)...20 mA, $R_{in} = 100$ Ohm
J1	J1	AI1 Steckbrücke für Auswahl Strom/Spannung I/U
J2	J2	AI2 Steckbrücke für Auswahl Strom/Spannung I/U

XAO Analogausgänge		
1	AO1	Motordrehzahl U/min 0...20 mA, $R_i < 500$ Ohm
2	AGND	
3	AO2	Motorstrom 0...20 mA, $R_i < 500$ Ohm
4	AGND	

XD2D Umrichter-Umrichter-Verbindung (D2D)		
1	B	Umrichter-Umrichter-Verbindung (D2D)
2	A	
3	BGND	
J3	J3	Schalter für Abschluss der D2D-Verbindung

XRO1, XRO2, XRO3 Relaisausgänge		
11	NC	Bereit
12	COM	250 V AC / 30 V DC
13	NO	2 A
21	NC	Läuft
22	COM	250 V AC / 30 V DC
23	NO	2 A
31	NC	Störung (-1)
32	COM	250 V AC / 30 V DC
33	NO	2 A

XD24 Digital-Startsperre		
1	DIIL	Reglerfreigabe
2	+24 VD	+24 V DC 200 mA ¹⁾
3	DICOM	Digitaleingang Masse
4	+24 VD	+24 V DC 200 mA ¹⁾
5	DIOGND	Digitaleingang/-ausgang Masse
J6	J6	Schalter Masse-Auswahl

XDIO Digitaleingänge/-ausgänge		
1	DIO1	Ausgang: Startbereit
2	DIO2	Ausgang: In Betrieb

XDI Digitaleingänge		
1	DI1	Stop (0) / Start (1)
2	DI2	Vorwärts (0) / Rückwärts (1)
3	DI3	Störungsquittierung
4	DI4	Auswahl Beschl./Verzög.-Rampen
5	DI5	Konstantdrehzahl 1 (1 = Ein)
6	DI6	Standardmäßig nicht benutzt.

XSTO Sicher abgeschaltetes Drehmoment		
1	OUT1	Sicher abgeschaltetes Drehmoment (STO). Beide Kreise müssen für den Start des Antriebs geschlossen sein.
2	SGND	
3	IN1	
4	IN2	

X12 Sicherheitsfunktionsmodul-Anschluss		
X13 Bedienpanel-Anschluss		
X205 Anschluss für Memory Unit		

DE

¹⁾ Die Gesamtbelastbarkeit dieser Ausgänge beträgt 4,8 W (200 mA / 24 V) minus der Energie, die von DIO1 und DIO2 verbraucht wird.

ES – Guía rápida de instalación

Esta guía ofrece unas breves instrucciones para la instalación del convertidor de frecuencia. Para obtener instrucciones más detalladas, directrices de ingeniería, datos técnicos y unas instrucciones de seguridad completas, véase el Manual de hardware (www.abb.com/drives; seleccione *Biblioteca de documentos* y busque el número de documento 3AUA0000078093).

Siga estrictamente las instrucciones de seguridad



ADVERTENCIA: Siga estrictamente estas instrucciones. Si no lo hace, se pueden producir daños en el equipo o en las personas, e incluso causar la muerte:

- Sólo podrán efectuar la instalación y el mantenimiento del convertidor electricistas cualificados.
- No intente trabajar con el convertidor, el cable de motor o el motor con la alimentación principal conectada. Si el convertidor está conectado a la potencia de entrada, espere 5 minutos tras desconectarlo.
- Nunca manipule los cables de control mientras el convertidor o los circuitos de control externo reciban alimentación.
- Conecte siempre el convertidor, el motor y los equipos auxiliares al embarrado de conexión a tierra (PE) de la fuente de alimentación.
- Asegúrese de que los restos de polvo y virutas resultantes de practicar orificios y rectificaciones no entren en el convertidor de frecuencia durante la instalación.
- No conecte el convertidor a una tensión superior a la indicada en la etiqueta de designación de tipo.

ES

El material del suelo situado bajo el convertidor debe ser de un material ignífugo.

Compruebe si es necesario reacondicionar los condensadores

Reacondicione los condensadores si el convertidor no ha sido alimentado (por estar almacenado o sin usar) durante un año o más.

Puede determinar la fecha de fabricación a partir del número de serie, que encontrará en la etiqueta de designación de tipo adherida al convertidor. El número de serie tiene el formato MAASSRXXXX. AA y SS indican el año y la semana de fabricación, de la forma siguiente:

AA: 17, 18, 19... para 2017, 2018, 2019...

SS: 01, 02, 03... para semana 1, semana 2, semana 3...

Para más información sobre el reacondicionamiento de los condensadores, consulte el documento *Converter modules with electrolytic DC capacitors in the DC link capacitor reforming instructions* (3BFE64059629 [Inglés]), disponible en Internet en www.abb.com/drives/documents.

Seleccione los cables de potencia

Dimensione los cables de potencia de conformidad con los reglamentos locales para el transporte de la intensidad nominal indicada en la etiqueta de designación de tipo de su convertidor de frecuencia.

Puede ver los tamaños de cables de potencia más habituales en la tabla **B** de la página **102**. Consulte en el Manual de hardware las condiciones de los tamaños de los cables.

Garantice la refrigeración

Véase la tabla **B** de la página **102** para conocer las pérdidas y el caudal de aire de refrigeración a través del convertidor de frecuencia. El rango de temperatura de funcionamiento permitido para el convertidor de frecuencia sin pérdidas de potencia es de -15 a +40 °C.

ES

Proteja el convertidor y los cables de potencia de entrada

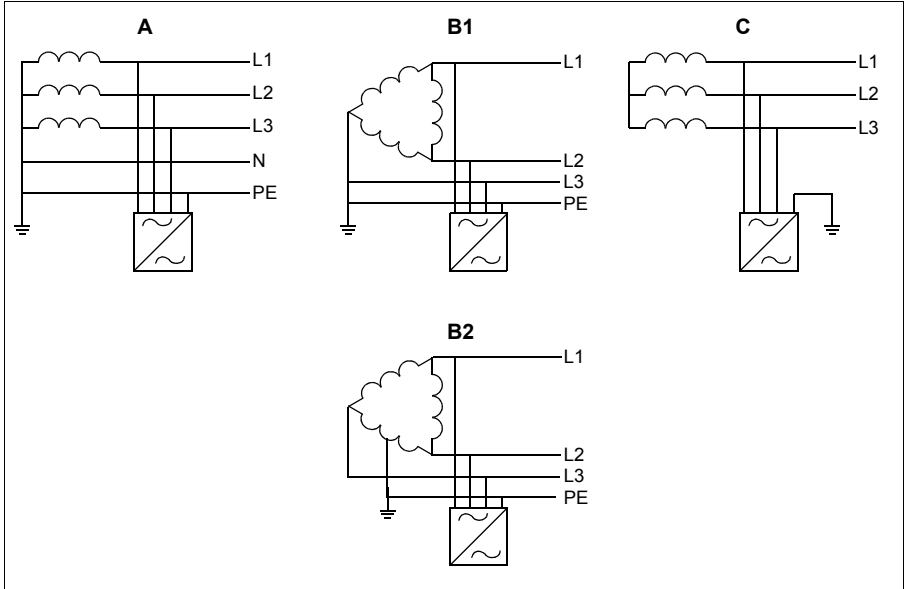
Véase la tabla **B** en la página **102**.

Monte el convertidor de frecuencia en la pared

Véase la figura **A** de la página **101**.

Compruebe la compatibilidad con redes IT (sin conexión a tierra), redes en triángulo conectadas a tierra en un vértice o en el punto medio y redes TT

Los convertidores estándar con varistores tierra-fase conectados se pueden instalar en una red TN-S conectada a tierra simétricamente. Para otros sistemas, véase el Manual de hardware y *ACS880 frames R1 to R11 EMC filter and ground-to-phase varistor disconnecting instructions* (3AUA0000125152 [Inglés]).



A = Red TN-S, B1 = Red conectada a tierra en un vértice, B2 = Red conectada a tierra en el punto medio, C = Red IT

ES



ADVERTENCIA: No instale el convertidor de frecuencia con los opcionales de filtro EMC +E200 y +E202 conectados a un sistema para el cual el filtro no es adecuado. Esto puede entrañar peligro o provocar daños en el convertidor.



ADVERTENCIA: No instale el convertidor de frecuencia con un varistor tierra-fase conectado en un sistema para el cual no sea adecuado el varistor. Si lo hace, el circuito del varistor podría resultar dañado. Consulte el manual de hardware del convertidor.

Nota: Con el opcional +E201, si no se han quitado en la fábrica, retire los tornillos EMC AC, EMC DC y VAR para todas las redes excepto TN-S. Para más información, póngase en contacto con ABB.

Compruebe el aislamiento de los cables de entrada y motor y del propio motor

Compruebe el aislamiento del cable de entrada conforme a las normativas locales antes de conectar el convertidor a la red.

Véase la figura **D** de la página **103**. Conecte a tierra la pantalla del cable de motor en el extremo del motor. Para unas mínimas interferencias, realice una conexión a tierra a 360 grados en el pasacables o mantenga el mallado corto.

Compruebe el aislamiento del cable de motor y del motor mientras el cable está desconectado del convertidor, véase la figura **E** en la página **103**. Mida la resistencia de aislamiento entre cada conductor de fase y el conductor de protección a tierra con una tensión de medición de 1000 V CC. La resistencia de aislamiento de un motor ABB debe ser superior a los 100 Mohmios (valor de referencia a 25 °C o 77 °F). En cuanto a la resistencia de aislamiento de otros motores, véanse las instrucciones del fabricante. **Nota:** La humedad en el interior de la carcasa del motor reduce la resistencia de aislamiento. Si sospecha de la presencia de humedad, seque el motor y repita la medición.

ES Fije las etiquetas de advertencia disponibles en los idiomas locales

Conecte los cables de potencia

Consulte las figuras **C** y **F** en las páginas **102** y **103**. Use cable apantallado simétrico para el cableado al motor.

1. Retire la cubierta frontal. Unidades IP21: Libere la presilla de sujeción con un destornillador (a) y levante la cubierta inferior hacia fuera (b).
 2. Unidades IP21: Retire la cubierta de la caja de entrada de cables aflojando los tornillos de montaje.
 3. Pegue el adhesivo de advertencia de tensión residual en el idioma local junto a la unidad de control.
 4. Retire las placas laterales de la caja de entrada de cables.
 5. Retire la cubierta protectora de los terminales de los cables de potencia, liberando las presillas de los lados con un destornillador y levantándolas (a). Practique orificios para los cables (b).
 6. Para bastidores R8 y R9: Si se instalan cables en paralelo, practique orificios en las cubiertas protectoras situadas sobre los terminales de cables de potencia de los cables a instalar.
 7. Corte orificios adecuados en los pasacables de goma. Deslice los pasacables por los cables. Prepare los extremos de los cables. Deslice los cables a través de los orificios del panel inferior y fije las arandelas a los orificios.
-

8. Conecte a tierra las pantallas de los cables a 360 grados bajo las abrazaderas de conexión a tierra.
9. Conecte las pantallas trenzadas de los cables a los terminales de conexión a tierra.
10. Conecte los conductores de los cables de entrada y de motor. Apriete los tornillos.
11. Unidades con el opcional +D150: Conecte los conductores del cable de la resistencia de frenado a los bornes R+ y R-.
12. Si se instalan cables en paralelo, instale la pletina de conexión a tierra para ellos. Repita los pasos del 7 al 12.
13. Reinstale la cubierta protectora en los terminales de potencia.
14. Reinstale las placas laterales de la caja de entrada de cables.
15. Fije los cables fuera de la unidad de forma mecánica.

Conexión de los cables de control

Véase la figura [G](#).

1. Instale la pletina de conexión a tierra para cables de control en la caja de entrada de cables.
2. Practique orificios adecuados en las arandelas de goma y haga pasar los cables a través de ellas. Deslice los cables a través de los orificios del panel inferior y fije las arandelas a los orificios.
3. Pele los extremos de los cables y corte a una longitud adecuada (recuerde la longitud adicional de los conductores de conexión a tierra).
4. Conecte a tierra los apantallamientos exteriores de todos los cables de control a 360 grados a la abrazadera de conexión a tierra de la caja de entrada de cables.
5. Conecte a tierra el apantallamiento del par de cables en la abrazadera de tierra, debajo de la tarjeta de control. Deje el otro extremo de las pantallas sin conectar o conéctelas a tierra de forma indirecta a través de un condensador de alta frecuencia de unos pocos nanofaradios, por ejemplo, 3,3 nF / 630 V.
6. Conecte los conductores a los terminales adecuados de la tarjeta de control (véase la página [35](#)).
7. Cablee los módulos opcionales si están incluidos en el suministro.
8. Vuelva a colocar la cubierta frontal.

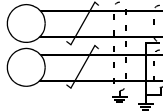
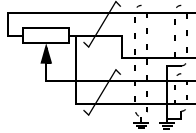
Nota para el cableado de bus de campo. Véase la figura [H](#).

1. Instale la pletina adicional de conexión a tierra.
2. Conecte a tierra las pantallas exteriores de los cables a 360 grados en una abrazadera de conexión a tierra.
3. Practique orificios en la cubierta de la caja de entrada de cables para los cables que se van a instalar. Instale la cubierta de la caja de entrada de cables.
4. Enchufe el conector al módulo de bus de campo.

Conexiones de E/S por defecto

A continuación se muestran las conexiones de E/S por defecto de la macro de fábrica del programa de control primario ACS880.

Tamaños de hilos:
0,5 ... 2,5 mm²
(24...12 AWG)
Pares de apriete:
0,5 N·m (5 lbf·in)
tanto para los
cables flexibles
como para los
sólidos.



XPOW Entrada de alimentación externa

1	+24 VI	24 V CC, 2 A
2	GND	

XAI Tensión de referencia y entradas analógicas

1	+VREF	10 V CC, R_1 1...10 kohmios
2	-VREF	-10 V CC, R_1 1...10 kohmios
3	AGND	Tierra
4	AI1+	Ref. de velocidad 0(2)...10 V, $R_{in} > 200$ kohmios
5	AI1-	
6	AI2+	Por defecto no se usa. 0(4)...20 mA,
7	AI2-	$R_{in} = 100$ ohmios
J1	J1	Puente de selección de Tensión/Corriente AI1
J2	J2	Puente de selección de Tensión/Corriente AI2

XAO Salidas analógicas

1	AO1	Régimen de motor rpm 0...20 mA, $R_L < 500$ ohmios
2	AGND	Intensidad de motor 0...20 mA, $R_L < 500$ ohmios
3	AO2	
4	AGND	

XD2D Enlace de convertidor a convertidor

1	B	Enlace de convertidor a convertidor
2	A	
3	BGND	
J3	J3	Terminador de enlace de convertidor a convertidor

XRO1, XRO2, XRO3 Salidas de relé

11	NC	Listo 250 V CA / 30 V CC 2 A
12	COM	
13	NO	En marcha 250 V CA / 30 V CC 2 A
21	NC	
22	COM	Fallo(-1) 250 V CA / 30 V CC 2 A
23	NO	
31	NC	
32	COM	
33	NO	

XD24 Bloqueo de marcha

1	DIIL	Permiso de marcha
2	+24 VD	+24 V CC 200 mA ¹⁾
3	DICOM	Tierra de entrada digital
4	+24 VD	+24 V CC 200 mA ¹⁾
5	DIOGND	Tierra de entrada/salida digital
J6	J6	Interruptor de selección de tierra

XDIO Entradas/salidas digitales

1	DIO1	Salida: Listo
2	DIO2	Salida: En marcha

XDI Entradas digitales

1	DI1	Paro (0) / Marcha (1)
2	DI2	Avance (0) / Retroceso (1)
3	DI3	Restaurar
4	DI4	Selección de aceleración y deceleración
5	DI5	Velocidad constante 1 (1 = activado)
6	DI6	Por defecto no se usa.

XSTO Safe Torque Off

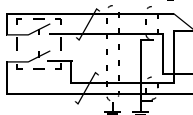
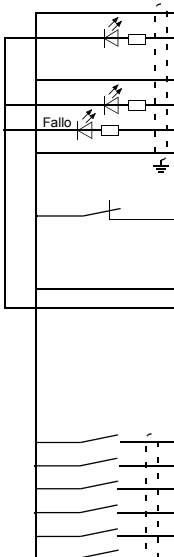
1	OUT1	Safe Torque Off. Ambos circuitos deben estar cerrados para que el convertidor pueda ponerse en marcha.
2	SGND	
3	IN1	
4	IN2	

X12 Conexión de módulo de funciones de seguridad

X13 Conexión del panel de control

X205 Conexión de la unidad de memoria

1) La capacidad de carga total de estas salidas es de 4,8 W (200 mA / 24 V) menos la potencia consumida por DIO1 y DIO2.



FI – Asennuksen pikaopas

Tässä oppaassa on taajuusmuuttajan lyhyet asennusohjeet. Yksityiskohtaisemmat ohjeet, suunnitteluohjeet, tekniset tiedot ja täydelliset turvaohjeet löytyvät laiteoppaasta (www.abb.com/drives: valitse *Document Library* ja kirjoita hakukenttään dokumentin numero 3AUA0000078093 [englanninkielinen]).

Noudata turvaohjeita



VAROITUS! Noudata näitä ohjeita. Ohjeiden laiminlyönti voi aiheuttaa fyysisen vamman tai hengenvaaran tai vahingoittaa laitteistoa.

- Taajuusmuuttajan asennus- ja huoltotyöt saa suorittaa vain valtuutettu sähköalan ammattilainen.
- Tee kaikki taajuusmuuttajan, moottorikaapelin ja moottorin asennus- ja huoltotyöt jännitteen ollessa katkaistuna. Jos taajuusmuuttaja on jo kytketty syöttöverkkoon, kytke se irti verkosta ja odota 5 minuuttia.
- Älä käsittele ohjauskaapeleita, kun taajuusmuuttajaan tai ulkoisiin ohjauspiireihin on kytketty jännite.
- Maadoita taajuusmuuttaja, moottori ja niihin liittyvät laitteet aina syötön suojamaakiskoon (PE).
- Varmista, ettei poraus- tai hiomajäte pääse laitteen sisään asennuksen yhteydessä.
- Älä kytke taajuusmuuttajaa tyyppikilpeen merkittyä jännitettä suurempaan jännitteeseen.

Taajuusmuuttajan alla olevan lattiamateriaalin tulee olla palamatonta.

Tarkista, täytyykö kondensaattorit elvyttää

Elvytä kondensaattorit, jos taajuusmuuttajaan ei ole kytketty virtaa vähintään vuoteen (laite on ollut varastoituna tai käyttämättä).

Voit selvittää valmistusajankohdan sarjanumeron perusteella. Sarjanumero on taajuusmuuttajaan kiinnitettyssä tyyppikilvessä. Sarjanumero on muotoa MYYWWRXXXX. YY ja WW ilmaisevat valmistusvuoden ja -viikon seuraavasti:

YY: 17, 18, 19,..., mikä tarkoittaa vuotta 2017, 2018, 2019,...

WW: 01, 02, 03,..., mikä tarkoittaa viikkoa 1, 2, 3,...

Lisätietoja kondensaattorien elvyttämisestä on *Converter modules with electrolytic DC capacitors in the DC link capacitor reforming instructions* -oppaassa

(3BFE64059629, englanninkielinen), joka on saatavana osoitteesta www.abb.com/drives/documents.

Valitse tehokaapelit

Mitoita tehokaapelit taajuusmuuttajan tyyppikilvessä ilmoitetun nimellisvirran mukaan. Noudata paikallisia määräyksiä.

Tyypilliset tehokaapelien koot on esitetty taulukossa **B** sivulla **102**. Mitoitukseen liittyvät ehdot on kerrottu laiteoppaassa.

Varmista jäähdytys

Katso tiedot lämpöhäviöistä ja taajuusmuuttajan läpi virtaavasta jäähdytysilmasta sivulla **102** olevasta taulukosta **B**. Taajuusmuuttajan sallittu käyttölämpötila-alue ilman kuormitettavuuden alennusta on –15...+40 °C.

Suojaa taajuusmuuttaja ja syöttökaapelit

Katso taulukko **B** sivulla **102**.

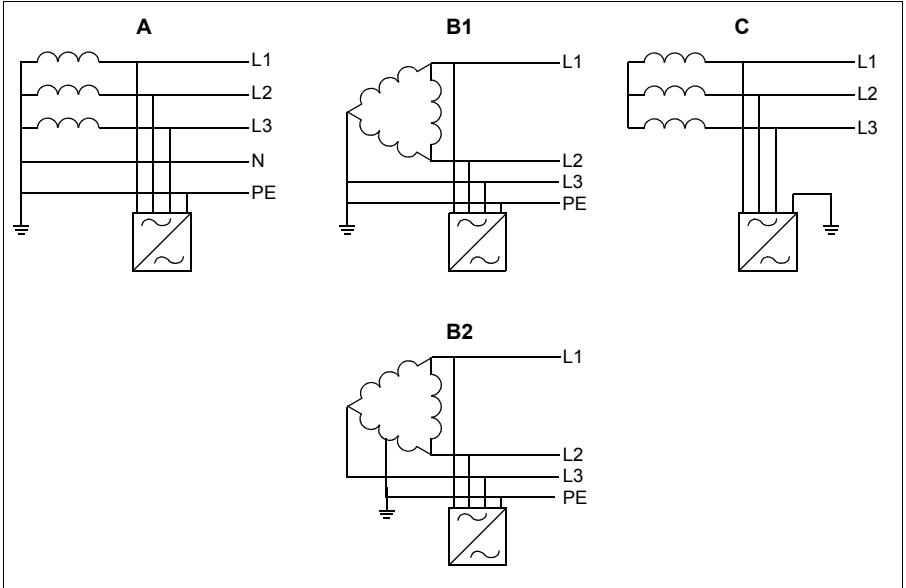
Asenna taajuusmuuttaja seinälle

FI

Katso kuva **A** sivulla **101**.

Tarkista yhteensopivuus maadoittamattomien IT-verkkojen, epäsymmetrisesti ja keskipisteestä maadoitettujen kolmioverkkojen sekä TT-verkkojen kanssa

Vakiomallinen taajuusmuuttaja, johon on liitetty maajohtimen ja vaihejohtimen väliset varistorit, voidaan asentaa symmetrisesti maadoitettuun TN-S-verkkoon. Katso muiden verkkojen osalta laiteopas sekä opas *ACS880 frames R1 to R11 EMC filter and ground-to-phase varistor disconnecting instructions* (3AUA0000125152, englanninkielinen).



A = TN-S-verkko, B1 = epäsymmetrisesti maadoitettu verkko,
B2 = keskipisteestä maadoitettu verkko, C = IT-verkko



VAROITUS! Älä asenna taajuusmuuttajaa, johon on liitetty EMC-suodin (lisävarusteet +E200 ja +E202), verkkoon, johon suodin ei sovellu. Tämä voi aiheuttaa vaaratilanteen tai vahingoittaa taajuusmuuttajaa.



VAROITUS! Älä asenna taajuusmuuttajaa, johon on liitetty maajohtimen ja vaihejohtimen välinen varistori, verkkoon, johon varistori ei sovellu. Muussa tapauksessa varistoripiiri voi vahingoittua. Lisätietoja on taajuusmuuttajan laiteoppaassa.

Huomaa: Jos järjestelmässä on lisävaruste +E201, poista EMC AC-, EMC DC- ja VAR-ruuvit muita kuin TN-S-verkkoja varten, jos niitä ei ole poistettu tehtaalla. Lisätietoja saatavana ABB:ltä.

Tarkista syöttö- ja moottorikaapelien sekä moottorin eristys.

Tarkista syöttökaapelin eristys paikallisten määräysten mukaisesti ennen kaapelin kytkemistä taajuusmuuttajaan.

Katso kuva **D** sivulla **103**. Maadoita moottorikaapelin suojavaippa moottorin päästä. Jotta häiriöt voitaisiin minimoida, tee kaapelin läpiviennissä 360 asteen maadoitus tai pidä kierretty johdin lyhyenä.

Tarkista moottorikaapelin ja moottorin eristys, kun kaapeli on irti taajuusmuuttajasta. Katso kuva **E** sivulla **103**. Mittaa jokaisen vaihejohtimen ja suojavaajohtimen (PE) välinen eristysvastus 1 000 V DC:n mittausjännitteellä. ABB:n moottoreiden eristysvastuksen tulee olla yli 100 megaohmia (ohjearvo lämpötilassa 25 °C).

Lisätietoja muiden moottorien eristysvastuksista on valmistajan ohjeissa.

Huomautus: Moottorin kotelon sisällä oleva kosteus pienentää eristysvastusta. Jos epäilet, että kotelon sisällä on kosteutta, kuivata moottori ja toista mittaus.

Kiinnitä tarrat, joissa varoitukset on annettu paikallisilla kielillä

Kytke tehokaapelit

Katso kuvat **C** ja **F** sivuilla **102** ja **103**. Käytä suojattua symmetristä moottorikaapelia.

1. Irrota etukansi. IP21-yksiköt: Irrota kiinnityspidike ruuvitaltalla (a) ja nosta kantta alhaalta ulospäin (b).
2. IP21-yksiköt: Irrota kaapelien läpivientikotelon kansi avaamalla kiinnitysruuvit.
3. Kiinnitä oikeankielinen jäännösjännitteen varoitustarra ohjausyksikön viereen.
4. Irrota kaapelin läpivientikotelon sivulevyt.
5. Irrota suoja tehokaapelien liittimistä vapauttamalla sivulla olevat pidikkeet ruuvitaltalla ja nostamalla suojaa (a). Avaa aukot kaapeleita varten (b).
6. Runkokoot R8 ja R9: Jos rinnakkaisia kaapeleita asennetaan, katko suojat tehokaapelin liittimistä asennettavia kaapeleita varten.
7. Leikkaa kumitiivisteisiin sopivan kokoiset reiät. Vedä tiivisteet kaapeleiden päälle. Valmistele kaapelien päät. Vie kaapelit pohjalevyssä olevien reikien läpi ja kiinnitä kumitiivisteet reikiin.
8. Maadoita kaapelin vaipat 360 astetta maadoituskiinnikkeiden alla.
9. Kytke kaapelien kierretyt suojavaipat maadoitusliittimiin.
10. Kytke syöttö- ja moottorikaapelien johtimet. Kiristä ruuvit.
11. Yksiköt, jossa on lisävaruste +D150: Kytke jarruvastuskaapelin johtimet liittimiin R+ ja R-.
12. Jos rinnakkaisia kaapeleita asennetaan, asenna niille maadoitushylly. Toista vaiheet 7–12.
13. Asenna teholiittimien suoja takaisin paikalleen.

14. Asenna kaapelin läpivientikotelon sivulevyt takaisin paikoilleen.
15. Kiinnitä kaapelit yksikön ulkopuolella mekaanisesti.

Kytke ohjauskaapelit

Katso kuva [G](#).

1. Asenna ohjauskaapelin maadoitushylly kaapelin läpivientikoteloon.
2. Leikkaa kumitiivisteisiin sopivan kokoiset aukot ja vedä kumitiivisteet kaapeleihin. Vie kaapelit pohjalevyssä olevien reikien läpi ja kiinnitä kumitiivisteet reikiin.
3. Kuori kaapeliin päät, ja leikkaa ne sopivaan pituuteen (huomaa maadoitusjohtimien ylimääräinen pituus).
4. Maadoita kaikkien ohjauskaapelien ulkovaipat 360 astetta kaapelien läpivientikotelossa olevan maadoituskiinnikkeen kohdalla.
5. Maadoita parikaapelien vaipat ohjauskortin alapuolella olevaan maadoituskiinnikkeeseen. Jätä suojavaippojen toiset päät maadoittamatta tai maadoita ne epäsuorasti muutaman nanofaradin suurtaajuuskondensaattorilla, esim. 3,3 nF / 630 V.
6. Liitä johtimet oikeisiin ohjauskortin liittimiin (katso sivu [42](#)).
7. Kytke myös lisävarustemoduulit, mikäli niitä sisältyy toimitukseen.
8. Asenna etukansi takaisin paikalleen.

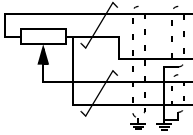
Kenttäväyläkaapeleita koskeva huomautus: Katso kuva [H](#).

1. Asenna lisämaadoitushylly.
2. Maadoita kaapelien ulommat suojavaipat 360 astetta maadoitusliittimen kohdalla.
3. Avaa kaapelien läpivientikotelon kanteen aukot asennettaville kaapeleille. Asenna kaapelien läpivientikotelon kansi.
4. Kiinnitä liitin kenttäväylämoduuliin.

Oletusarvoiset I/O-ohjauskytkennät

ACS880-perusohjausohjelman tehdasmakron oletusarvoiset I/O-ohjauskytkennät on esitetty seuraavassa kaaviossa.

Johdinkoot:
0,5 ... 2,5 mm²
(24...12 AWG)
Kieristysmomentit: 0,5 Nm yksilankaisille ja kerratuille johtimille.

**XPOW** Ulkoinen syöttö

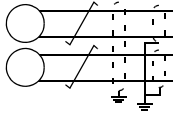
1	+24V	24 V DC, 2 A
2	GND	

XAI Ohjejännite ja analogiatulot

1	+VREF	10 V DC, R_L 1...10 kohm
2	-VREF	-10 V DC, R_L 1...10 kohm
3	AGND	Maa
4	AI1+	Nopeusohje 0(2)...10 V, $R_{in} > 200$ kohm
5	AI1-	
6	AI2+	Oletusasetuksena ei käytössä.
7	AI2-	0(4)...20 mA, $R_{in} = 100$ ohm
J1	J1	AI1 (virran/jännitteen valinnan siirtoliitin)
J2	J2	AI2 (virran/jännitteen valinnan siirtoliitin)

XAO Analogilähdöt

1	AO1	Moottorin nopeus (rpm) 0...20 mA, $R_L < 500$ ohm
2	AGND	
3	AO2	Moottorin virta 0...20 mA, $R_L < 500$ ohm
4	AGND	

**XD2D** Taajuusmuuttajien välinen liitäntä

1	B	Taajuusmuuttajien välinen liitäntä
2	A	
3	BGND	
J3	J3	Liitännän päätevastuksen valintakytkin

XRO1, XRO2, XRO3 Relelähdt

11	NC	Valmis
12	COM	250 V AC / 30 V DC
13	NO	2 A
21	NC	Käy
22	COM	250 V AC / 30 V DC
23	NO	2 A
31	NC	Vika(-1)
32	COM	250 V AC / 30 V DC
33	NO	2 A

XD24 Digitaalinen lukitus

1	DIIL	Käyntilupa
2	+24VD	+24 V DC 200 mA ¹⁾
3	DICOM	Digitaalitulon maa
4	+24VD	+24 V DC 200 mA ¹⁾
5	DIOGND	Digitaalitulon/-lähdon maa
J6	J6	Maadoituksen valintakytkin

XDIO Digitaalitulot/-lähdt

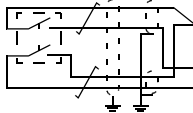
1	DIO1	Lähtö: Valmis
2	DIO2	Lähtö: Käy

XDI Digitaalitulot

1	DI1	Seis (0) / Käy (1)
2	DI2	Eteen (0) / Taakse (1)
3	DI3	Kuittausta
4	DI4	Kiihdytyksen ja hidastuksen valinta
5	DI5	Vakionopeus 1 (1 = Käytössä)
6	DI6	Oletusasetuksena ei käytössä.

XSTO Safe torque off -toiminto

1	OUT1	Safe torque off -toiminto. Molempien piirien on oltava suljettuina, jotta taajuusmuuttaja käynnistyy.
2	SGND	
3	IN1	
4	IN2	

X12 Turvatoimintomoduulin liitäntä**X13** Ohjauspaneelin liitäntä**X205** Muistyksikön liitäntä

FI

1) Näiden lähtöjen kokonaiskapasiteetti on 4,8 W (200 mA / 24 V), josta vähennetään DIO1- ja DIO2-liitäntöjen kuluttama teho.

FR – Guide d'installation

Ce guide vous explique brièvement comment installer le variateur. Pour des consignes détaillées, des directives d'ingénierie, les caractéristiques techniques ou les consignes de sécurité complètes, reportez-vous au manuel d'installation (www.abb.com/drives : Sélectionnez *Document Library* (vous devrez peut-être afficher la page en anglais pour voir cette rubrique) et recherchez le document anglais de référence 3AUA0000078093.

Consignes de sécurité



ATTENTION ! Vous devez suivre les consignes de sécurité à la lettre. Leur non-respect est susceptible de provoquer des blessures graves, voire mortelles, ou des dégâts matériels.

- Seuls des électriciens qualifiés sont autorisés à procéder à l'installation et la maintenance du variateur.
- N'intervenez jamais sur le variateur, le moteur ou son câblage sous tension. S'il est déjà raccordé au réseau, vous devez attendre 5 minutes après sectionnement de l'alimentation avant d'intervenir.
- Vous ne devez jamais intervenir sur les câbles de commande lorsque le variateur ou les circuits de commande externes sont sous tension.
- Le variateur ainsi que le moteur et les équipements annexes doivent être mis à la terre en permanence via le bus PE de l'alimentation.
- En cas de perçage ou de rectification d'un élément, évitez toute pénétration de débris dans le variateur.
- Vous ne devez pas alimenter le variateur avec une tension supérieure à la valeur figurant sur sa plaque signalétique.

La surface (sol) sous l'appareil doit être en matériau ininflammable.

Vérification des condensateurs

Si le variateur est resté plus d'un an sans être mis sous tension (en stockage ou non utilisé), vous devez réactiver les condensateurs.

Pour connaître la date de fabrication, consultez le numéro de série, qui se trouve sur la plaque signalétique de l'appareil. Le numéro de série est au format MAASSRXXXX, avec AA et SS indiquant respectivement l'année et la semaine de fabrication :

AA : 17, 18, 19, ... = 2017, 2018, 2019, etc.

SS : 01, 02, 03, ... = semaine 1, semaine 2, semaine 3, ...

Pour la procédure de réactivation, cf. document anglais *Converter modules with electrolytic DC capacitors in the DC link capacitor reforming instructions* (3BFE64059629), disponible sur Internet (www.abb.com/drives/documents).

Sélection des câbles de puissance

Les câbles de puissance doivent être dimensionnés en fonction de la réglementation locale pour supporter le courant nominal indiqué sur la plaque signalétique du variateur.

Le tableau *B* page 102 indique les sections typiques des câbles de puissance. Reportez-vous au manuel d'installation pour le calcul du dimensionnement.

Refroidissement

Cf. tableau *B* page 102 pour les pertes et le débit d'air de refroidissement dans le variateur. Sans déclassement, la plage de température de fonctionnement admissible va de -15 à +40 °C.

Protection du variateur et des câbles réseaux

Cf. tableau *B* page 102.

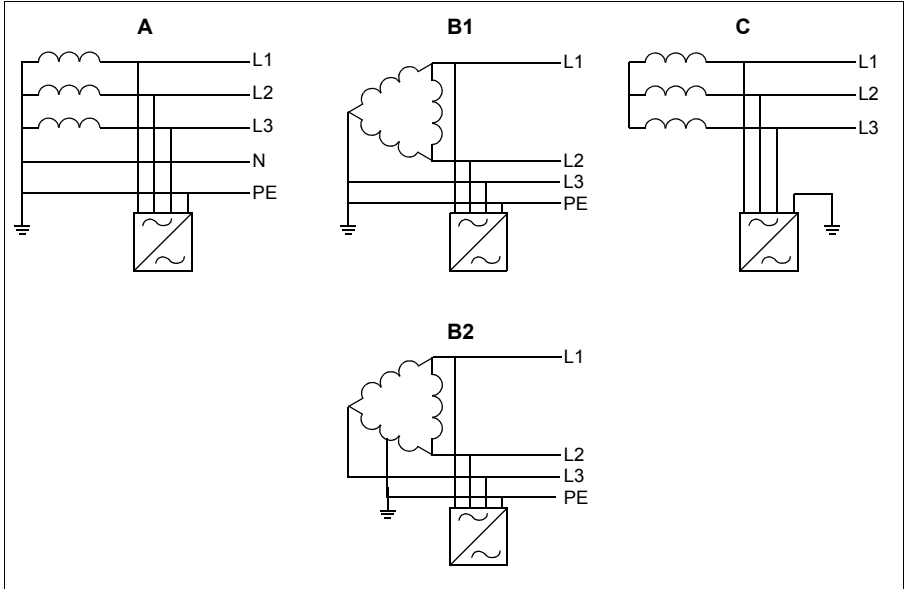
Montage mural du variateur

FR

Cf. figure *A* page 101.

Vérification de la compatibilité avec les réseaux en régime IT (neutre isolé ou impédant), TT, et en couplage triangle avec mise à la terre asymétrique ou centrale (« high leg delta »)

En standard (varistance phase-terre branchée), le variateur peut être raccordé sur un réseau en régime TN-S (mise à la terre symétrique). Autres exécutions : reportez-vous au manuel d'installation ainsi qu'au document anglais *ACS880 frames R1 to R11 EMC filter and ground-to-phase varistor disconnecting instructions* (3AUA0000125152).



A = réseau en régime TN-S, B1 = mise à la terre asymétrique, B2 = mise à la terre centrale, C = réseau en régime IT



ATTENTION ! Il est interdit de raccorder un variateur équipé du filtre RFI (options +E200 et +E202) sur un réseau non prévu pour cet usage, ce qui peut s'avérer dangereux ou endommager l'appareil.

FR



ATTENTION ! Il est interdit de raccorder un variateur équipé de la varistance phase-terre sur un réseau non prévu pour cet usage, car cela risque d'endommager le circuit des varistances. Cf. manuel d'installation du variateur.

Nota : Avec l'option +E201, lorsque le variateur est raccordé à un réseau autre que TN-S, retirez les vis EMC AC, EMC DC et VAR si cela n'a pas déjà été effectué en usine. Pour en savoir plus, contactez ABB.

Mesurez la résistance d'isolement du câble réseau, du moteur et de son câblage

Mesurez la résistance d'isolement du câble réseau avant de le brancher sur le variateur conformément à la réglementation en vigueur.

Cf. figure *D* page 103 Mettez à la terre le blindage du câble moteur du côté moteur. Pour minimiser les interférences, effectuez une reprise de masse sur 360 degrés au niveau du passe-câbles ou faites une queue de cochon aussi courte que possible.

Mesurez la résistance d'isolement du moteur et de son câblage lorsqu'il est sectionné du variateur : cf. figure [E](#) page [103](#). Mesurez la résistance d'isolement du câble moteur entre chaque phase et la terre de protection (PE) avec une tension de mesure de 1000 Vc.c. Les valeurs mesurées sur un moteur ABB doivent être supérieures à 100 Mohm (valeur de référence à 25 °C ou 77 °F). Pour la résistance d'isolement des autres moteurs, prière de consulter les consignes du fabricant. **Nota** : La présence d'humidité à l'intérieur de l'enveloppe du moteur réduit sa résistance d'isolement. Si vous soupçonnez la présence d'humidité, séchez le moteur et recommencez la mesure.

Fixation des étiquettes de mise en garde dans votre langue

Raccordement des câbles de puissance

Cf. figures [C](#) et [F](#) pages [102](#) et [103](#). Utilisez un câble moteur symétrique blindé.

1. Retirez le capot avant. Appareils IP21 : Enfoncez le clip de retenue avec un tournevis (a) et tirez le bas du capot vers vous (b).
2. Appareils IP21 : Retirez les vis de fixation du capot du coffret d'entrée des câbles et ôtez le capot.
3. Vous devez fixer une étiquette de mise en garde contre les tensions résiduelles dans votre langue à côté de l'unité de commande.
4. Retirez les plaques latérales du boîtier d'entrée des câbles.
5. Ôtez la protection des bornes de puissance en enfonçant les clips latéraux avec un tournevis pour la soulever (a). Percez les ouvertures pour les câbles (b).
6. Appareils en tailles R8 et R9 : Pour poser des câbles en parallèle, ôtez les protections des bornes de puissance pour les câbles concernés.
7. Découpez des trous de diamètre adéquat dans les passe-câbles en caoutchouc. Enfilez les passe-câbles sur les câbles. Dénudez les extrémités de câble. Insérez les câbles dans les trous de la plaque inférieure et fixez-y les passe-câbles.
8. Effectuez une reprise de masse sur 360° des blindages sous les colliers de terre.
9. Raccordez les blindages torsadés des câbles aux bornes de terre.
10. Raccordez les conducteurs des câbles réseau et moteur. Serrez les vis.
11. Appareils avec l'option +D150 : Raccordez les conducteurs du câble de la résistance de freinage sur les bornes R+ et R-.
12. Pour poser des câbles en parallèle, montez leurs platines de mise à la terre. Répétez les étapes 7 à 12.
13. Remplacez la protection des bornes de puissance.
14. Remontez les plaques latérales du boîtier d'entrée des câbles.
15. Fixez mécaniquement les câbles à l'extérieur du variateur.

Raccordement des câbles de commande

Cf. figure **G**

1. Montez la platine de mise à la terre des câbles de commande dans le boîtier d'entrée des câbles.
2. Découpez des trous de diamètre adéquat dans les passe-câbles en caoutchouc pour les glisser sur les câbles. Insérez les câbles dans les trous de la plaque inférieure et fixez-y les passe-câbles.
3. Dénudez les extrémités de câbles et coupez à la longueur adéquate (vous remarquerez que les conducteurs de terre sont plus longs).
4. Effectuez une reprise de masse sur 360° des blindages extérieurs de tous les câbles de commande au niveau du collier de mise à la terre du boîtier d'entrée de câbles.
5. Mettez à la masse les blindage de câbles au niveau d'un collier de mise à la terre sous la carte de commande. L'autre extrémité des blindages doit être laissée non connectée ou être reliée à la terre indirectement par le biais d'un condensateur haute fréquence de quelques nanofarads (ex., 3,3 nF/630 V).
6. Raccordez les conducteurs aux bornes correspondantes de la carte de commande. (cf. page **48**).
7. Raccordez les modules optionnels, si inclus à la livraison.
8. Remontez le capot avant.

Nota : Pour les câbles du bus de terrain, cf. figure **H**.

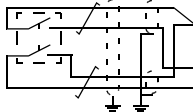
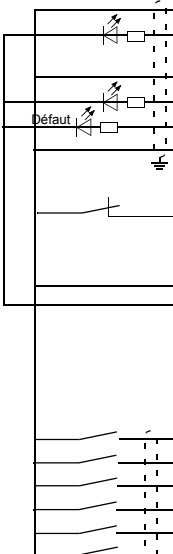
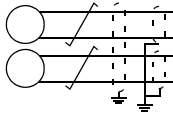
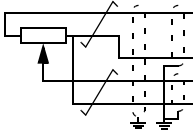
1. Montez la platine de mise à la terre supplémentaire.
2. Effectuez une reprise de masse sur 360° des blindages externes sous le collier de terre.
3. Percez les ouvertures dans le capot du boîtier d'entrée des câbles pour le passage des câbles. Montez le capot du boîtier d'entrée des câbles.
4. Raccordez le connecteur au module coupleur réseau.

Raccordement des signaux d'E/S (préréglages)

Le schéma suivant présente les préréglages usine des signaux d'E/S du macroprogramme Usine du programme de commande standard de l'ACS880

Section des fils :
0,5 ... 2,5 mm²
(24...12 AWG)

Couples de serrage : 0,5 N·m
(5 lbf·in) pour câbles à brins multiples toronnés et monobrin.



XPOW Entrée alimentation externe

1	+24VI	24 Vc.c., 2 A
2	GND	

XAI Tension de référence et entrées analogiques

1	+VREF	10 Vc.c., R_1 1...10 kohm
2	-VREF	-10 Vc.c., R_1 1...10 kohm
3	AGND	Terre
4	AI1+	Référence vitesse 0(2)...10 V, $R_{en} > 200$ kohm
5	AI1-	
6	AI2+	Non utilisée par défaut. 0(4)...20 mA, $R_{en} = 100$ ohm
7	AI2-	
J1	J1	Sélection courant/tension AI1 par cavalier
J2	J2	Sélection courant/tension AI2 par cavalier

XAO Sorties analogiques

1	AO1	Vitesse moteur tr/min 0...20mA, $R_L < 500$ ohm
2	AGND	500 ohm
3	AO2	Courant moteur 0...20 mA, $R_L < 500$ ohm
4	AGND	

XD2D Liaison multivariateurs (D2D)

1	B	Liaison multivariateurs
2	A	
3	BGND	
J3	J3	Commutateur de terminaison de la liaison D2D

XRO1, XRO2, XRO3 Sorties relais

11	NC	Prêt 250 Vc.a. / 30 Vc.c. 2 A
12	COM	
13	NO	En marche 250 Vc.a. / 30 Vc.c. 2 A
21	NC	
22	COM	Défaut(-1) 250 Vc.a. / 30 Vc.c. 2 A
23	NO	
31	NC	
32	COM	
33	NO	

XD24 Verrouillage logique

1	DIIL	Validation Marche
2	+24VD	+24 Vc.c. 200 mA ¹⁾
3	DICOM	Masse entrées logiques
4	+24VD	+24 Vc.c. 200 mA ¹⁾
5	DIOGND	Masse entrées/sorties logiques
J6	J6	Commutateur de sélection de masse

XDIO Entrées/sorties logiques

1	DIO1	Sortie : Prêt
2	DIO2	Sortie : En marche

XDI Entrées logiques

1	DI1	Arrêt (0) / Démarrage (1)
2	DI2	Avant (0) / Arrière (1)
3	DI3	Réarmement
4	DI4	Sélection accélération & décélération
5	DI5	Vitesse constante 1 (1 = On)
6	DI6	Non utilisée par défaut

XSTO Interruption sécurisée du couple STO

1	OUT1	Interruption sécurisée du couple STO. Les deux circuits doivent être fermés pour autoriser le démarrage du variateur.
2	SGND	
3	IN1	
4	IN2	

X12 Raccordement module de sécurité

X13 Raccordement micro-console

X205 Raccordement unité mémoire

FR

1) La capacité de charge totale des sorties est de 4,8 W (200 mA / 24 V) moins la puissance consommée par DIO1 et DIO2.

IT – Guida rapida all'installazione

Questa guida illustra brevemente la procedura di installazione del convertitore di frequenza. Per istruzioni più dettagliate, linee guida ingegneristiche, dati tecnici e norme di sicurezza complete, si rimanda al Manuale hardware (www.abb.com/drives: selezionare *Document Library* e cercare il numero del documento 3AUA0000078093 [inglese]).

Rispettare le norme di sicurezza



AVVERTENZA! Rispettare le seguenti norme di sicurezza. La mancata osservanza di queste norme può mettere in pericolo l'incolumità delle persone, con rischio di morte, e danneggiare le apparecchiature:

- L'installazione e la manutenzione del convertitore di frequenza devono essere eseguite solo da elettricisti qualificati.
- Non operare mai sul convertitore, sul cavo motore o sul motore quando è inserita l'alimentazione. Se il convertitore è già collegato all'alimentazione, disinsierirla e attendere 5 minuti.
- Non lavorare mai sui cavi di controllo quando il convertitore o i circuiti di controllo esterni sono alimentati.
- Mettere sempre a terra il convertitore, il motore e le apparecchiature adiacenti collegandoli al bus di terra (PE) dell'alimentazione.
- Assicurarsi che i detriti generati da forature e smerigliature non si infiltrino nell'unità durante l'installazione.
- Non collegare il convertitore a una tensione superiore al valore indicato sull'etichetta di identificazione dell'unità.

Il pavimento sottostante all'unità deve essere di materiale non infiammabile.

Ricondizionamento dei condensatori

I condensatori devono essere ricondizionati se il convertitore è fermo da oltre un anno (perché è rimasto inutilizzato oppure in magazzino).

La data di fabbricazione si legge dal numero di serie riportato sull'etichetta identificativa del convertitore. Il formato del numero di serie è MYYWWRXXXX. YY e WW indicano rispettivamente l'anno e la settimana di produzione, nel modo seguente:

YY: 17, 18, 19, ... per 2017, 2018, 2019, ...

WW: 01, 02, 03, ... per settimana 1, settimana 2, settimana 3, ...

Per informazioni sul ricondizionamento dei condensatori, vedere *Converter Modules with Electrolytic DC Capacitors in the DC Link Capacitor Reforming*

Instructions (3BFE64059629 [inglese]), disponibile in Internet al sito www.abb.com/drives/documents.

Selezione dei cavi di potenza

Dimensionare i cavi di potenza in base alle normative locali. I cavi devono essere adatti a condurre la corrente nominale indicata sull'etichetta identificativa del convertitore.

Le dimensioni tipiche dei cavi di potenza sono riportate nella tabella **B** a pag. 102. Per le regole di dimensionamento, vedere il Manuale hardware.

Raffreddamento

Vedere la tabella **B** a pag. 102 per i dati relativi alle perdite e al flusso d'aria attraverso il convertitore di frequenza. Il range di temperatura operativa del convertitore, senza declassamento, è -15 ... +40 °C.

Protezione del convertitore e dei cavi della potenza di ingresso

Vedere la tabella **B** a pag. 102.

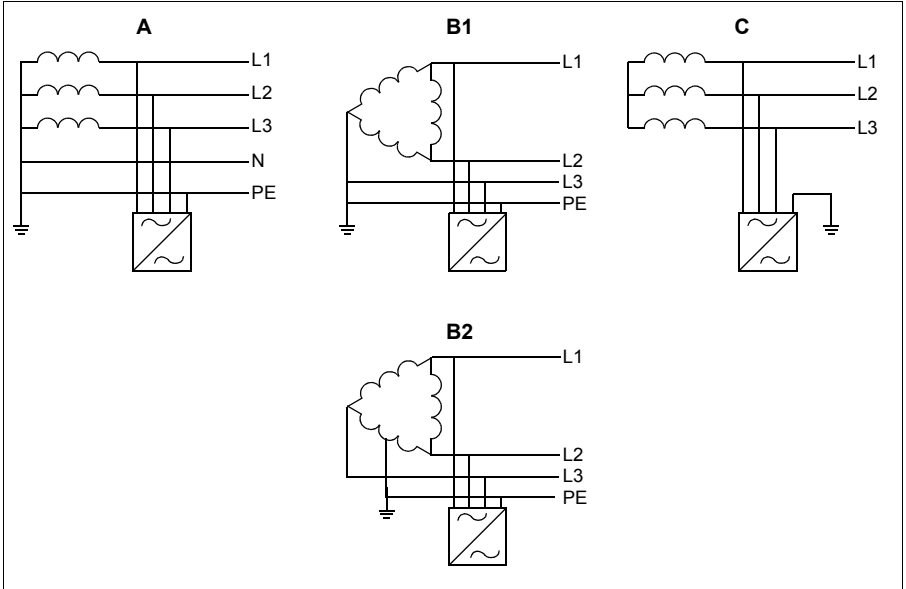
Montaggio del convertitore di frequenza a parete

Vedere la figura **A** a pag. 101.

IT

Verifica della compatibilità con sistemi IT (senza messa a terra), sistemi a triangolo con una fase a terra, a triangolo con messa a terra nel punto mediano e sistemi TT

Il convertitore standard, con i varistori fase-terra collegati, può essere installato in un sistema TN-S con messa a terra simmetrica. Per gli altri sistemi, vedere il Manuale hardware e *ACS880 Frames R1 to R11 EMC Filter and Ground-to-Phase Varistor Disconnecting Instructions* (3AUA0000125152 [inglese]).



A = sistema TN-S, B1 = sistema con una fase a terra, B2 = sistema con messa a terra nel punto mediano, C = sistema IT



AVVERTENZA! Non installare il convertitore con il filtro EMC collegato (opzioni +E200 e +E202) in un sistema che non consente l'uso del filtro. Questo può determinare una situazione di pericolo o danneggiare l'unità.

IT



AVVERTENZA! Non installare il convertitore con il varistore fase-terra collegato in un sistema che non consente l'uso del varistore, poiché così facendo si può danneggiare il circuito del varistore. Vedere il Manuale hardware del convertitore.

Nota: con l'opzione +E201, rimuovere le viti EMC AC, EMC DC e VAR per i sistemi di tipo diverso da TN-S, se le viti non sono state rimosse in fabbrica. Per ulteriori informazioni, contattare ABB.

Controllo dell'isolamento di cavo di ingresso, motore e cavo motore

Verificare che l'isolamento del cavo di ingresso sia conforme alle normative locali prima di collegarlo al convertitore di frequenza.

Vedere la figura **D** a pag. **103**. Mettere a terra la schermatura del cavo del motore sul lato motore. Per ridurre al minimo le interferenze, eseguire una messa a terra a 360°

in corrispondenza della piastra passacavi, o ridurre al minimo la lunghezza del fascio intrecciato.

Controllare l'isolamento del cavo motore e del motore quando il cavo è scollegato dal convertitore; vedere la figura **E** a pag. **103**. Misurare la resistenza di isolamento tra ogni conduttore di fase e il conduttore di protezione di terra (PE) con una tensione di misura di 1000 Vcc. La resistenza di isolamento dei motori ABB deve essere superiore a 100 Mohm (valore di riferimento a 25 °C o 77 °F). Per la resistenza di isolamento di altri motori, consultare le istruzioni del produttore. **Nota:** la presenza di umidità all'interno dell'alloggiamento del motore riduce la resistenza di isolamento. In caso di umidità, asciugare il motore e ripetere la misurazione.

Applicazione degli adesivi di avvertenza nelle lingue locali

Collegamento dei cavi di potenza

Vedere le figure **C** e **F** alle pagg. **102** e **103**. Utilizzare un cavo schermato di tipo simmetrico per il motore.

1. Rimuovere il coperchio anteriore. Unità IP21: sganciare la clip di fermo con un cacciavite (a) e sollevare il coperchio dal basso verso l'esterno (b).
2. Unità IP21: rimuovere il coperchio della cassetta di ingresso dei cavi allentando le viti di montaggio.
3. Applicare l'adesivo con il messaggio di avvertenza per tensione residua (nella lingua locale) vicino all'unità di controllo.
4. Rimuovere le piastre laterali della cassetta di ingresso dei cavi.
5. Rimuovere la schermatura sui morsetti dei cavi di potenza sganciando le clip ai lati con un cacciavite e sollevandola (a). Praticare i fori per l'ingresso dei cavi (b).
6. Telai R8 e R9: se vengono installati cavi paralleli, aprire dei fori nella schermatura dei morsetti dei cavi di potenza in corrispondenza dei cavi da installare.
7. Tagliare dei fori di dimensioni adeguate nei gommini. Infilare i gommini sui cavi. Preparare le estremità dei cavi. Inserire i cavi nei fori della piastra inferiore e fissare i gommini ai fori.
8. Mettere a terra le schermature dei cavi a 360° sotto i morsetti di terra.
9. Collegare le schermature intrecciate dei cavi ai morsetti di terra.
10. Collegare i conduttori del cavo di ingresso e del cavo del motore. Serrare le viti.
11. Unità con opzione +D150: collegare i conduttori del cavo della resistenza di frenatura ai morsetti R+ e R-.
12. Se sono installati cavi paralleli, installare la relativa piastra di messa a terra. Ripetere i punti da 7 a 12.

13. Reinstallare la schermatura sui morsetti di potenza.
14. Reinstallare le piastre laterali della cassetta di ingresso dei cavi.
15. Assicurare meccanicamente i cavi all'esterno dell'unità.

Collegamento dei cavi di controllo

Vedere la figura [G](#).

1. Installare la piastra di messa a terra dei cavi di controllo nella cassetta di ingresso dei cavi.
2. Praticare fori di dimensioni idonee nei gommini e fare scivolare i gommini sui cavi. Inserire i cavi nei fori della piastra inferiore e fissare i gommini ai fori.
3. Spellare le estremità dei cavi e tagliarle a una lunghezza adeguata (tenendo conto della lunghezza extra dei conduttori di terra).
4. Mettere a terra le schermature esterne di tutti i cavi di controllo a 360° sotto un morsetto di terra nella cassetta di ingresso dei cavi.
5. Mettere a terra le schermature dei doppi in corrispondenza di un morsetto di terra sotto la scheda di controllo. Lasciare scollegata l'altra estremità delle schermature o metterla a terra indirettamente utilizzando un condensatore ad alta frequenza di pochi nanofarad (es. 3.3 nF / 630 V).
6. Collegare i conduttori ai morsetti corrispondenti della scheda di controllo (vedere pag. [54](#)).
7. Collegare i moduli opzionali, se inclusi nella fornitura.
8. Reinstallare il coperchio anteriore.

Nota per il cablaggio del bus di campo. Vedere la figura [H](#).

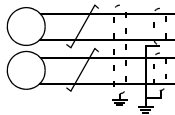
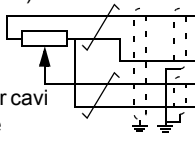
1. Installare la piastra supplementare di messa a terra.
2. Mettere a terra le schermature esterne dei cavi a 360° in corrispondenza del morsetto di terra.
3. Aprire dei fori nel coperchio della cassetta di ingresso cavi, in corrispondenza dei cavi da installare. Installare il coperchio della cassetta di ingresso cavi.
4. Inserire il connettore nel modulo bus di campo.

Collegamenti di I/O di default

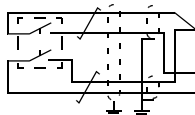
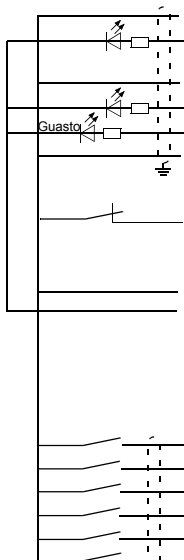
Di seguito sono illustrati i collegamenti degli I/O di default della macro Fabbrica del programma di controllo primario dell'ACS880.

Dimensioni fili:
0.5 ... 2.5 mm²
(24...12 AWG)

Coppie di serraggio:
0.5 N·m
(5 lbf·in) per cavi intrecciati e pieni.



1) La capacità di carico totale di queste uscite è 4.8 W (200 mA / 24 V) meno la potenza assorbita da DIO1 e DIO2.



XPOW Ingresso alimentazione esterna		
1	+24V	24 Vcc, 2 A
2	GND	
XAI Ingressi analogici e tensione di riferimento		
1	+VREF	10 Vcc, R _i 1...10 kohm
2	-VREF	-10 Vcc, R _i 1...10 kohm
3	AGND	Terra
4	AI1+	Riferimento velocità 0(2)...10 V, R _{in} > 200 kohm
5	AI1-	
6	AI2+	Di default non utilizzati. 0(4)...20 mA, R _{in} = 100 ohm
7	AI2-	
J1	J1	Ponticello di selezione corrente/tensione AI1
J2	J2	Ponticello di selezione corrente/tensione AI2
XAO Uscite analogiche		
1	AO1	Velocità motore rpm 0...20 mA, R _L < 500 ohm
2	AGND	
3	AO2	Corrente motore 0...20 mA, R _L < 500 ohm
4	AGND	
XD2D Collegamento drive-to-drive		
1	B	Collegamento drive-to-drive
2	A	
3	BGND	
J3	J3	Interruttore terminazione collegamento drive-to-drive
XRO1, XRO2, XRO3 Uscite relè		
11	NC	Pronto 250 Vca / 30 Vcc 2 A
12	COM	
13	NO	
21	NC	In marcia 250 Vca / 30 Vcc 2 A
22	COM	
23	NO	
31	NC	Guasto(-1) 250 Vca / 30 Vcc 2 A
32	COM	
33	NO	
XD24 Interblocco digitale		
1	DIIL	Abilitazione marcia
2	+24VD	+24 Vcc 200 mA ¹⁾
3	DICOM	Terra ingressi digitali
4	+24VD	+24 Vcc 200 mA ¹⁾
5	DIOGN	Terra ingressi/uscite digitali
J6	J6	Interruttore di selezione terra
XDIO Ingressi/uscite digitali		
1	DIO1	Uscita: pronto
2	DIO2	Uscita: in marcia
XDI Ingressi digitali		
1	DI1	Arresto (0) / Avviamento (1)
2	DI2	Avanti (0) / Indietro (1)
3	DI3	Reset
4	DI4	Selezione accelerazione e decelerazione
5	DI5	Velocità costante 1 (1 = On)
6	DI6	Di default non utilizzato.
XSTO Safe Torque Off		
1	OUT1	Safe Torque Off. Per avviare il convertitore entrambi i circuiti devono essere chiusi.
2	SGND	
3	IN1	
4	IN2	
X12 Collegamento modulo funzioni di sicurezza		
X13 Collegamento pannello di controllo		
X205 Collegamento unità di memoria		

NL – Beknopte installatiegids

Deze gids geeft een beknopte beschrijving van het installeren van de omvormer. Zie, voor nadere instructies, technische richtlijnen, technische gegevens en complete veiligheidsinstructies, de hardwarehandleiding (www.abb.com/drives: Kies *Document Library* en zoek document nummer 3AUA0000078093 [Engels]).

Volg de veiligheidsvoorschriften



WAARSCHUWING! Volg deze instructies. Indien u deze negeert, kan dit lichamelijk letsel of de dood tot gevolg hebben, of er kan schade aan de apparatuur ontstaan:

- De installatie en het onderhoud van de omvormer mag uitsluitend worden uitgevoerd door gekwalificeerde elektrotechnische vakmensen.
- Voer nooit werkzaamheden uit aan de frequentie-omvormer, de motorkabel of de motor als ze onder spanning staan. Als de omvormer al is aangesloten op het voedingsnet, ontkoppelt u de omvormer en wacht u 5 minuten.
- Voer nooit werkzaamheden uit aan de besturingskabels als de omvormer of externe besturingscircuits onder spanning staan.
- Aard de omvormer, de motor en bijbehorende apparatuur altijd aan de veiligheidsaarde (PE) -bus van de voeding.
- Zorg bij de installatie dat er geen boor- of slijpafval in de omvormer binnendringt.
- Sluit de omvormer niet op een spanning aan die hoger is dan die vermeld is op het typeplaatje.

Het materiaal van de vloer onder de omvormer dient onbrandbaar te zijn.

Controleer of condensatoren opnieuw gevormd moeten worden

Formeer de condensatoren opnieuw als de omvormer een jaar of langer niet aan geweest is (in de opslag of niet gebruikt).

U kunt de fabricagedatum bepalen uit het serienummer, dat op het typeplaatje, bevestigd aan de omvormer, te vinden is. Het serienummer heeft het formaat MYYWWRXXXX. YY en WW bepalen als volgt het jaar en de week van fabricage:

YY: 17, 18, 19, ... voor 2017, 2018, 2019, ...

WW: 01, 02, 03, ... voor week 1, week 2, week 3, ...

Zie, voor informatie over het opnieuw formeren van de condensatoren, *Converter modules with electrolytic DC capacitors in the DC link capacitor reforming instructions* (3BFE64059629 [Engels]), dat op internet te vinden is op www.abb.com/drives/documents.

Kies de vermogenskabels

Dimensioneer de vermogenskabels volgens de plaatselijke regelgeving om de nominale stroom te voeren die gegeven is op het typeplaatje van uw omvormer.

Typische vermogenskabel-afmetingen zijn te vinden in tabel **B** op pagina **102**. Zie, voor de voorwaarden van de afmetingen, de hardwarehandleiding.

Zorg voor de koeling

Zie tabel **B** op pagina **102** voor de verliezen en de koelluchtstroom door de omvormer. Het toegestane bedrijfstemperatuurbereik van de omvormer zonder derating is -15 tot +40 °C.

Beveilig de omvormer en de voedingskabels

Zie tabel **B** op pagina **102**.

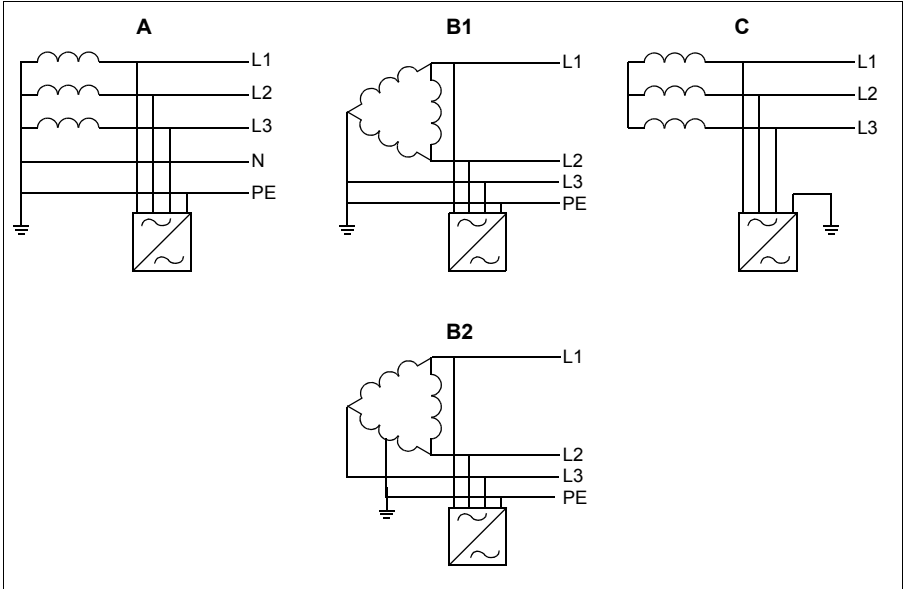
Installeer de omvormer aan de wand

Zie figuur **A** op pagina **101**.

Controleer de compatibiliteit met IT (ongearde), corner-grounded delta, midpoint-grounded delta, en TT systemen

NL

De standaard omvormer met aangesloten aarde-naar-fase varistors kan geïnstalleerd worden in een symmetrisch geaard TN-S systeem. Zie voor andere systemen de hardwarehandleiding en *ACS880 frames R1 to R11 EMC filter and ground-to-phase varistor disconnecting instructions* (3AUA0000125152 [Engels]).



A = TN-S systeem, B1 = Corner-grounded systeem, B2 = Midpoint-grounded systeem, C = IT systeem



WAARSCHUWING! Installeer de omvormer niet met aangesloten EMC-filter opties +E200 en +E202 in een systeem waarvoor het filter niet geschikt is. Dit kan gevaar opleveren of de omvormer beschadigen.



WAARSCHUWING! Installeer de omvormer niet met aangesloten aarde-naar-fase varistor in een systeem waarvoor de varistor niet geschikt is. Indien u dit wel doet, kan het varistor-circuit beschadigd worden. Zie de hardwarehandleiding van de omvormer.

Opmerking: Verwijder bij optie +E201 de EMC AC, EMC DC en VAR schroeven voor andere systemen dan TN-S systemen indien ze nog niet in de fabriek verwijderd zijn. Neem voor meer informatie contact op met ABB.

Controleer de isolatie van de ingangs- en motorkabels en van de motor

Controleer de isolatie van de ingangskabel volgens plaatselijke regelgeving alvorens u deze aansluit op de omvormer.

Zie figuur *D* op pagina 103. Aard de motorkabelafscherming aan de motorzijde. Maak, om interferentie te minimaliseren, een aarding van 360 graden bij de kabeldoorvoer, of houd de pigtail kort.

Controleer de isolatie van de motorkabel en motor wanneer de kabel losgekoppeld is van de omvormer, zie figuur *E* op pagina 103. Meet de isolatieweerstand tussen elke fasegeleider en de veiligheidsaardegeleider door een meetspanning van 1000 V DC te gebruiken. De isolatieweerstand van een ABB-motor moet hoger zijn dan 100 Mohm (referentiewaarde bij 25 °C of 77 °F). Voor de isolatieweerstand van andere motors moet u de instructies van de fabrikant raadplegen. **Opmerking:** Vocht in de motorbehuizing zal de isolatieweerstand verlagen. Als u vocht vermoedt, moet u de motor drogen en de meting herhalen.

Bevestig de waarschuwingstickers in plaatselijke talen

Sluit de vermogenskabels aan

Zie de figuren *C* en *F* op pagina's 102 en 103. Gebruik symmetrisch afgeschermd kabel voor de motorbekabeling.

1. Neem de frontkap weg. IP21 units: Maak de bevestigingsclip los met een schroevendraaier (a) en til de kap vanaf de onderkant naar buiten(b).
2. IP21 units: Verwijder het deksel van het kabelingangsblok door de montageschroeven los te draaien.
3. Bevestig de waarschuwingsticker tegen restspanning in de plaatselijke taal naast de besturingsunit.
4. Verwijder de zijplaten van het kabelingangsblok.
5. Verwijder de afdekking op de vermogenskabelklemmen door de clips aan de zijkanten los te maken met een schroevendraaier en de afdekking op te tillen (a). Druk gaten uit voor de kabels (b).
6. Voor frames R8 en R9: Indien parallelle kabels geïnstalleerd worden, druk dan de afdekkingen op de vermogenskabelklemmen uit zodat de kabels geïnstalleerd kunnen worden.
7. Snijd geschikte gaten in de rubberen doorvoertules. Schuif de doorvoertules op de kabels. Maak de kabeluiteinden gereed. Schuif de kabels door de gaten van de bodemplaat en maak de doorvoertules in de gaten vast.
8. Aard de kabelafschermingen over 360 graden onder de aardklemmen.
9. Sluit de getwiste kabelafschermingen aan op de aardklemmen.
10. Sluit de geleiders van de ingangs- en motorkabels aan. Draai de schroeven vast.
11. Units met optie +D150: Sluit de geleiders van de remweerstandskabel aan op de klemmen R+ en R-.
12. Als er parallelle kabels geïnstalleerd worden, installeer dan de aardingsplaat hiervoor. Herhaal de stappen 7 tot 12.
13. Zet de afdekking op de vermogensklemmen terug.

14. Zet de zijplaten van het kabelingangsblok terug.
15. Zet de kabels buiten de unit mechanisch vast.

Sluit de besturingskabels aan

Zie figuur [G](#).

1. Installeer de aardingsplaat voor de besturingskabels in het kabelingangsblok.
2. Snij voldoende grote gaten in de rubberen doorvoertules en schuif de doorvoertules op de kabels. Schuif de kabels door de gaten van de bodemplaat en maak de doorvoertules in de gaten vast.
3. Strip de kabeluiteinden en snijd deze tot een geschikte lengte (houd rekening met de extra lengte van de aardgeleiders).
4. Aard de buitenste afschermingen van alle besturingskabels over 360 graden aan een aardingsklem in het kabelinvoerblok.
5. Aard de kabelpaar-afschermingen aan een aardklem onder het besturingspaneel. Sluit het andere uiteinde van de afschermingen niet aan of aard deze indirect via een hoogfrequente condensator van enkele nanofarad, bijvoorbeeld 3,3 nF / 630 V).
6. Sluit de geleiders op de juiste klemmen van de besturingskaart aan (zie pagina [60](#)).
7. Bedraad de optionele modules indien deze bij de levering bijgevoegd zijn.
8. Zet de frontkap terug?

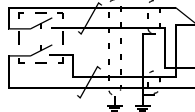
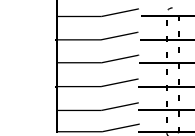
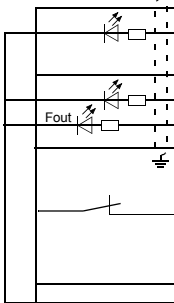
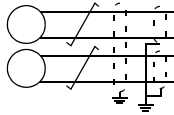
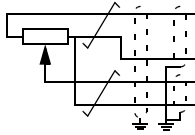
Opmerking voor veldbus-bekabeling. Zie figuur [H](#).

1. Installeer de extra aardingsplaat.
2. Aard de buitenste afschermingen van de kabels over 360 graden bij de aardklem.
3. Druk gaten in het deksel van het kabelingangsblok uit zodat de kabels geïnstalleerd kunnen worden. Installeer het deksel van het kabelingangsblok.
4. Plug de connector in de veldbusmodule.

Standaard I/O aansluitingen

De standaard I/O-aansluitingen voor de Fabrieksmacro van het ACS880 primair besturingsprogramma worden hieronder getoond.

Ader-afmetingen: 0,5 ... 2,5 mm² (24...12 AWG)
 Aanhaalmoment en: 0,5 N·m (5 lbf·in) voor zowel gevlochten als massieve bedrading.



XPOW Externe hulpspanningsingang		
1	+24VI	24 V DC, 2 A
2	GND	

XAI Referentiespanning en analoge ingangen		
1	+VREF	10 V DC, R_i 1...10 kohm
2	-VREF	-10 V DC, R_i 1...10 kohm
3	AGND	Aarde
4	AI1+	Toerentalreferentie 0(2)...10 V, $R_{in} > 200$ kohm
5	AI1-	Standaard niet in gebruik. 0(4)...20 mA, $R_{in} = 100$ ohm
6	AI2+	
7	AI2-	
J1	J1	AI1 stroom/spanning selectiejumper
J2	J2	AI2 stroom/spanning selectiejumper

XAO Analoge uitgangen		
1	AO1	Motortoerental rpm 0...20 mA, $R_L < 500$ ohm
2	AGND	
3	AO2	Motorstroom 0...20 mA, $R_L < 500$ ohm
4	AGND	

XD2D Drive-to-drive link		
1	B	Drive-to-drive link
2	A	
3	BGND	
J3	J3	Afsluitingsjumper drive-to-drive link

XRO1, XRO2, XRO3 Relaisuitgangen		
11	NC	Gereed
12	COM	250 V AC/30 V DC
13	NO	2 A
21	NC	In bedrijf
22	COM	250 V AC/30 V DC
23	NO	2 A
31	NC	Fout(-1)
32	COM	250 V AC/30 V DC
33	NO	2 A

XD24 Digitale blokkering		
1	DIIL	Runvrijgave
2	+24VD	+24 V DC 200 mA ¹⁾
3	DICOM	Aarde digitale ingang
4	+24VD	+24 V DC 200 mA ¹⁾
5	DIOGND	Aarde digitale ingang/uitgang
J6	Aarde selectiejumper	

XDIO Digitale ingang/uitgangen		
1	DIO1	Uitgang: Gereed
2	DIO2	Uitgang: In bedrijf

XDI Digitale ingangen		
1	DI1	Stop (0) / Start (1)
2	DI2	Voorwaarts (0) / Achterwaarts (1)
3	DI3	Reset
4	DI4	Acceleratie & deceleratie keuze
5	DI5	Constant toerental 1 (1 = Aan)
6	DI6	Standaard niet in gebruik.

XSTO Safe torque off		
1	OUT1	Safe torque off. Beide circuits moeten gesloten zijn voordat de omvormer kan starten.
2	SGND	
3	IN1	
4	IN2	

X12	Aansluiting veiligheidsfuncties-module	
X13	Aansluiting bedieningspaneel	
X205	Aansluiting geheugenunit	

1) Totale belastingscapaciteit van deze uitgangen is 4,8 W (200 mA / 24 V) minus het vermogen opgenomen door DIO1 en DIO2.

NL

PL — Skrócona instrukcja montażu

Ten dokument zawiera skróconą instrukcję montażu przemiennika częstotliwości. Bardziej szczegółowe wskazówki, wytyczne i dane techniczne oraz pełne instrukcje bezpieczeństwa zawiera podręcznik użytkownika (www.abb.com/drives; należy wybrać opcję *Document Library* [Biblioteka dokumentów] oraz wyszukać dokument w języku angielskim o numerze 3AUA0000078093).

Należy przestrzegać instrukcji bezpieczeństwa



OSTRZEŻENIE! Należy przestrzegać tych instrukcji. Nieprzestrzeganie instrukcji może skutkować obrażeniami, śmiercią lub uszkodzeniem urządzenia:

- Do montażu i konserwacji przemiennika częstotliwości uprawnieni są wyłącznie wykwalifikowani elektrycy.
- Nie można wykonywać żadnych prac przy przemienniku częstotliwości, kablu silnika ani silniku, jeśli podłączone jest źródło zasilania. Jeśli przemiennik częstotliwości jest już podłączony do zasilania, należy odczekać 5 minut po jego odłączeniu.
- Nie wolno nigdy wykonywać żadnych prac przy kablach sterowania, jeśli do przemiennika częstotliwości lub zewnętrznych obwodów sterowania doprowadzone jest zasilanie.
- Zawsze uziemić przemiennik częstotliwości, silnik oraz pobliskie urządzenia. do szyny uziemiającej (PE) zasilania.
- Podczas montażu należy uważać, aby opiłki powstające w trakcie wiercenia i szlifowania nie przedostały się do wnętrza przemiennika częstotliwości.
- Nie można podłączać przemiennika częstotliwości do napięcia wyższego niż podane na tabliczce znamionowej.

Materiał znajdujący się na podłodze pod przemiennikiem częstotliwości musi być niepalny.

Sprawdzenie, czy kondensatory wymagają formowania

Jeśli przemiennik częstotliwości nie był włączany od ponad roku (był w magazynie lub nie był używany), należy wykonać formowanie kondensatorów.

Datę produkcji można określić na podstawie numeru seryjnego, który jest widoczny na tabliczce znamionowej przymocowanej do przemiennika częstotliwości. Numer seryjny ma format MRRTRRXXXX. RR i TT określają rok i tydzień produkcji w następujący sposób:

RR: 17, 18, 19, ... oznacza 2017, 2018, 2019, ...

TT: 01, 02, 03, ... to 1. tydzień, 2. tydzień, 3. tydzień, ...

Więcej informacji na temat formowania kondensatorów zawiera dokument *Converter modules with electrolytic DC capacitors in the DC link capacitor reforming instructions* (3BFE64059629 [j.ang.]), który jest dostępny na stronie internetowej www.abb.com/drives/documents.

Dobór kabli zasilania

Kable zasilania należy zwymiarować zgodnie z obowiązującymi przepisami lokalnymi, tak aby zapewnić przepływ prądu znamionowego, którego wartość jest podana na tabliczce znamionowej przemiennika częstotliwości.

Typowe rozmiary kabli zasilania wymieniono w tabeli *B* na stronie *102*. Warunki dotyczące dobierania rozmiarów można znaleźć w podręczniku oprogramowania przemiennika częstotliwości.

Zapewnianie chłodzenia

W tabeli *B* na stronie *102* zawarto informacje o stratach oraz przepływie powietrza chłodzącego przez przemiennik częstotliwości. Dozwolony zakres temperatury pracy przemiennika częstotliwości bez obniżenia jego wartości znamionowych wynosi od -15 do +40°C.

Ochrona przemiennika częstotliwości i wejściowych kabli zasilania

Odpowiednie informacje zawiera tabela *B* na stronie *102*.

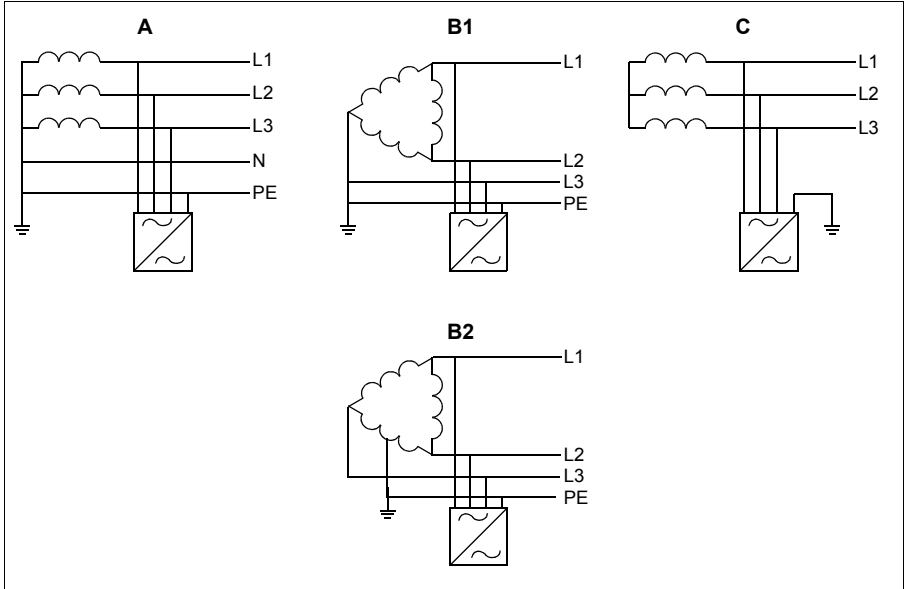
Montaż przemiennika częstotliwości na ścianie

Patrz rysunek *A* na stronie *101*.

PL

Sprawdzanie zgodności z sieciami IT (bez uziemienia), typu trójką z uziemieniem wierzchołkowym i centralnym oraz TT

Standardowy przemiennik częstotliwości z podłączonymi warystorami uziemienie-faza można połączyć z uziemioną symetrycznie siecią TN-S. W przypadku innych sieci informacji należy szukać w podręczniku użytkownika i dokumencie *ACS880 frames R1 to R11 EMC filter and ground-to-phase varistor disconnecting instructions* (3AUA0000125152 [j. ang.]).



A = sieć TN-S, B1 = sieć uziemiona wierzchołkowo, B2 = sieć uziemiona centralnie, C = sieć IT



OSTRZEŻENIE! Nie należy instalować przemiennika częstotliwości z podłączonymi opcjami +E200 i +E202 filtra EMC w sieci, dla której ten filtr jest nieodpowiedni. Może to spowodować zagrożenie lub uszkodzić przemiennik częstotliwości.



OSTRZEŻENIE! Nie należy instalować przemiennika częstotliwości z podłączonym warystorem uziemienie-faza w sieci, dla której ten warystor jest nieodpowiedni. Może to uszkodzić obwód warystora. Więcej informacji znajduje się w podręczniku użytkownika przemiennika częstotliwości.

Uwaga: W przypadku opcji +E201 należy wykręcić wkręty EMC AC, EMC DC i VAR dla sieci innych niż TN-S (o ile nie zostały wykręcone w fabryce). Więcej informacji na ten temat można uzyskać od firmy ABB.

Sprawdzenie izolacji wejściowego kabla zasilania i kabla silnika oraz samego silnika

Przed podłączeniem wejściowego kabla zasilania do przemiennika częstotliwości należy sprawdzić, czy jego izolacja jest zgodna z lokalnymi przepisami.

Patrz rysunek **D** na stronie **103**. Uziemić ekran kabla silnika po stronie silnika. W celu ograniczenia zakłóceń należy uziemić ekran na całym obwodzie kabla na przebiegu kabla lub postarać się, aby jego końcówka była jak najkrótsza.

Izolację silnika oraz kabla silnika i silnika należy sprawdzić, gdy kabel jest odłączony od przemiennika częstotliwości; patrz rysunek *E* na stronie 103. Zmierzyć rezystancję izolacji pomiędzy poszczególnymi przewodami fazowymi a przewodem uziomowym przy użyciu napięcia pomiarowego 1000 V DC. Rezystancja izolacji silnika ABB musi przekraczać 100 MΩ (wartość zadana przy temperaturze 25 °C lub 77 °F).

Wymagania dotyczące rezystancji izolacji innych silników zostały podane w instrukcjach dostarczonych przez producenta. **Uwaga:** Wilgoć wewnątrz obudowy silnika zmniejsza rezystancję izolacji. Jeśli istnieje prawdopodobieństwo obecności wilgoci, należy wysuszyć silnik i powtórzyć pomiar.

Mocowanie nalepek ostrzegawczych w językach lokalnych

Podłączanie kabli zasilania

Zobacz rysunki *C* i *F* na str. 102 i 103. W okablowaniu silnika należy używać symetrycznego kabla ekranowanego.

1. Zdjąć przednią osłonę. Jednostki IP21: Zwolnić zaczepek za pomocą wkrętaka (a) i podnieść osłonę od dołu na zewnątrz (b).
2. Jednostki IP21: Zdjąć osłonę skrzynki kablowej, odkręcając wkręty montażowe.
3. Przykleić naklejkę z ostrzeżeniem o napięciu szczytkowym w odpowiednim języku obok jednostki sterującej.
4. Zdjąć płyty boczne skrzynki kablowej.
5. Zdjąć osłonę zacisków kabla zasilania, zwalniając zaczepek po bokach wkrętakiem i podnosząc je (a). Wybić otwory dla kabli (b).
6. Obudowy R8 i R9: Jeśli będą podłączane kable równoległe, przygotować dla nich otwory w osłonie zacisków kabla zasilania.
7. Wyciąć odpowiednie otwory w gumowych dławikach. Nasunąć dławiki na kable. Przygotuj końcówki kabli. Przeciągnąć kable przez otwory w płycie dolnej i zamocować dławiki w tych otworach.
8. Wykonać uziemienie ekranu kabla na całym obwodzie kabla pod zaciskami uziomowymi.
9. Podłączyć skręcane ekrany kabli do zacisków uziomowych.
10. Podłączyć przewody kabla wejściowego oraz kabla silnika. Dokręcić wkręty.
11. Urządzenia z opcją +D150: Podłączyć przewody kabla rezystora hamowania do zacisków R+ i R-.
12. Jeśli są zainstalowane kable równoległe, zamontować listwy uziemiennicze dla tych kabli. Powtórzyć kroki od 7 do 12.
13. Zamontować osłonę zacisków zasilania.

14. Zamontować ponownie płyty boczne skrzynki kablowej.
15. Zabezpieczyć kable mechanicznie na zewnątrz urządzenia.

Podłączanie kabli sterowania

Patrz rysunek [G](#).

1. Zamontować listwę uziomową kabla sterowania w skrzynce kablowej.
2. Wyciąć odpowiednie otwory w gumowych dławikach i nasunąć je na kable. Przeciągnąć kable przez otwory w płycie dolnej i zamocować dławiki w tych otworach.
3. Ściągnąć izolację z końcówek kabli i przyciąć je do odpowiedniej długości (pamiętając o większej długości przewodów uziomowych).
4. Wykonać uziemienia zewnętrznych ekranów wszystkich kabli sterowania na całym obwodzie przy użyciu zacisku uziomowego w skrzynce kablowej.
5. Wykonaj uziemienia ekranów kabli dwużyłowych przy użyciu zacisku uziomowego pod tablicą rozdzielczą. Drugi koniec ekranu powinien pozostać niepodłączony lub uziemiony pośrednio przez kondensator wysokoczęstotliwościowy o pojemności kilku nanofaradów, np. 3,3 nF/630 V.
6. Podłączyć przewody do odpowiednich zacisków tablicy rozdzielczej (patrz strona [66](#)).
7. Podłączyć moduły opcjonalne, jeśli są częścią dostawy.
8. Założyć osłonę przednią.

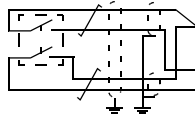
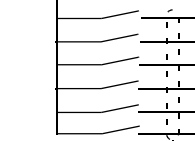
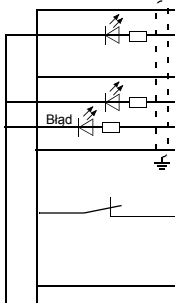
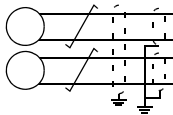
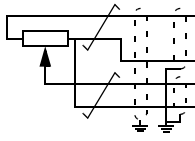
Uwaga dotycząca okablowania magistrali komunikacyjnej. Patrz rysunek [H](#).

1. Zamontować dodatkową listwę uziemiającą.
2. Uziemić obwodowo zewnętrzne ekrany kabli pod zaciskiem uziemiającym.
3. Przygotować w osłonie skrzynki kablowej otwory dla kabli, które będą podłączane. Zainstalować pokrywę skrzynki kablowej.
4. Podłączyć złącze do modułu magistrali komunikacyjnej.

Domyślne połączenia we/wy

Poniżej przedstawiono domyślne połączenia we/wy makra fabrycznego dla standardowego oprogramowania przemiennika częstotliwości ACS880.

Rozmiary przewodów:
0,5 ... 2,5 mm²
(24...12 AWG)
Momenty dokręcania:
0,5 N m dla kabli jedno- i wielożyłowych.

**XPOW** Wejście zasilania zewnętrznego

1	+24VI	24 V DC, 2 A
2	GND	

XAI Napięcie odniesienia i wejścia analogowe

1	+VREF	10 V DC, R_L 1...10 k Ω
2	-VREF	-10 V DC, R_L 1...10 k Ω
3	AGND	Uziemienie
4	AI1+	Wartość zadana prędkości 0(2)...10 V, $R_{in} > 200$ k Ω
5	AI1-	
6	AI2+	Domyślnie nieużywane. 0(4)...20 mA,
7	AI2-	$R_{in} = 100$ Ω
J1	J1	Zworka wyboru trybu pracy wejścia AI1 (prądowe/napięciowe)
J2	J2	Zworka wyboru trybu pracy wejścia AI2 (prądowe/napięciowe)

XAO Wyjścia analogowe

1	AO1	Prędkość silnika w obrotach na minutę 0...20mA, $R_L < 500$ Ω
2	AGND	Prąd silnika 0...20mA, $R_L < 500$ Ω
3	AO2	
4	AGND	

XD2D Łącze drive-to-drive

1	B	Łącze drive-to-drive
2	A	
3	BGND	
J3	J3	Przełącznik terminacji łącza drive-to-drive

XRO1, XRO2, XRO3 Wyjścia przekaźnikowe

11	NC	Stan gotowości
12	COM	250 V AC / 30 V DC
13	NO	2 A
21	NC	Bieg
22	COM	250 V AC / 30 V DC
23	NO	2 A
31	NC	Błąd (-1)
32	COM	250 V AC / 30 V DC
33	NO	2 A

XD24 Blokada cyfrowa

1	DIIL	Zezwolenie na bieg
2	+24VD	+24 V DC 200 mA ¹⁾
3	DICOM	Masa wejścia cyfrowego
4	+24VD	+24 V DC 200 mA ¹⁾
5	DIOGND	Masa wejścia/wyjścia cyfrowego
J6	J6	Przełącznik wyboru masy

XDIO Wejścia/wyjścia cyfrowe

1	DIO1	Wyjście: Stan gotowości
2	DIO2	Wyjście: Bieg

XDI Wejścia cyfrowe

1	DI1	Stop (0)/Start (1)
2	DI2	Do przodu (0)/Do tyłu (1)
3	DI3	Reset
4	DI4	Wybór czasów przyspieszenia i zwolnienia
5	DI5	Stała prędkość 1 (1 = Wł.)
6	DI6	Domyślnie nieużywane.

XSTO Bezpieczne wyłączenie momentu

1	OUT1	Bezpieczne wyłączenie momentu (STO). Oba obwody muszą być zamknięte, aby było możliwe uruchomienie przełącznika częstotliwości.
2	SGND	
3	IN1	
4	IN2	

X12 Złącze modułu funkcji bezpieczeństwa**X13** Złącze panelu sterowania**X205** Złącze modułu pamięci

1) Całkowita obciążalność tych wyjść wynosi 4,8 W (200 mA / 24 V) minus moc pobierana przez złącza DIO1 i DIO2.

PT - Guia rápido de instalação

Este guia contém instruções sobre como instalar o acionamento. Para instruções mais detalhadas, indicações de engenharia, dados técnicos e instruções de segurança completas, consulte o manual de hardware em (www.abb.com/drives: Selecione *Document Library* e aceda ao documento número 3AUA0000078093 [Inglês]).

Cumpra as instruções de segurança



AVISO! Cumprir estas instruções. Se ignorar as mesmas, podem ocorrer ferimentos ou morte, ou danos no equipamento:

- Apenas profissionais eletricitistas qualificados estão autorizados a instalar e a reparar o acionamento.
 - Nunca trabalhe no acionamento, no cabo do motor ou no motor com a alimentação aplicada. Se o acionamento já estiver ligado à entrada de alimentação, aguarde 5 minutos depois de desligar a alimentação de entrada.
 - Nunca manipule os cabos de controlo quando a alimentação está aplicada ao acionamento ou aos circuitos de controlo externos.
 - Ligue sempre o acionamento, o motor e o equipamento circundante ao barramento da terra de proteção (PE) da alimentação de potência.
 - Certifique-se que as poeiras das perfurações não entram no acionamento durante a instalação.
 - Não ligue o acionamento a uma tensão superior à assinalada na etiqueta de designação de tipo.
-

O material do piso por baixo do acionamento deve ser não inflamável.

Verificar se é necessário reformar os condensadores

Deve beneficiar os condensadores se o acionamento não tiver sido ligado (estiver armazenado ou não tiver sido usado) durante um ou mais anos.

É possível determinar a data de fabrico a partir do número de série, que se encontra na etiqueta de designação de tipo colada no acionamento. O número de série é do formato MYYWWRXXXX. YY e WW indicam o ano e a semana de fabrico como se segue:

YY: 17, 18, 19, ... para 2017, 2018, 2019, ...

WW: 01, 02, 03, ... para semana 1, semana 2, semana 3, ...

Para informações sobre a beneficiação de condensadores, consulte *Converter modules with electrolytic DC capacitors in the DC link capacitor reforming instructions* (3BFE64059629 [Inglês]), disponível na Internet em www.abb.com/drives/documents.

Selecionar os cabos de potência

Dimensione os cabos de potência de acordo com os regulamentos locais para cumprimento da corrente nominal apresentada na etiqueta de designação tipo do seu acionamento.

Os tamanhos típicos do cabo de potência estão listados na tabela **B** na página **102**. Sobre as condições de dimensionamento, consulte o manual de hardware.

Assegurar a refrigeração

Consulte a tabela **B** na página **102** sobre as perdas e o fluxo de ar de refrigeração através do acionamento A gama de temperatura de operação permitida para o acionamento sem desclassificação é -15 para +40 °C.

Proteja o acionamento e os cabos de entrada de potência

Veja a tabela **B** na página **102**.

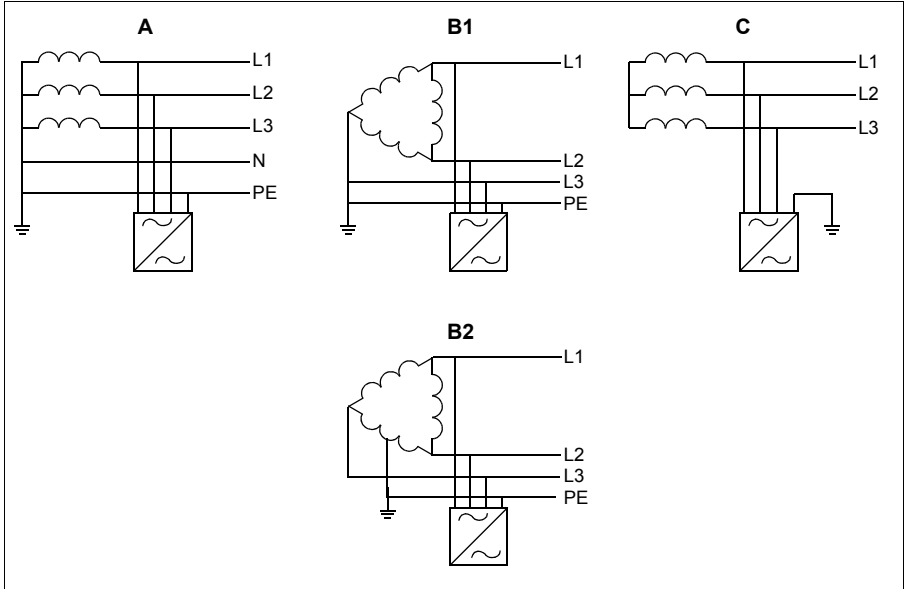
Instalar o acionamento na parede

Veja a figura **A** na página **101**.

Verificar a compatibilidade com sistemas IT (sem ligação à terra), sistemas de redes flutuantes e delta de ponto médio e sistemas TT

PT

Um acionamento com varistores terra-para-fase ligados pode ser instalado num sistema TN ligado à terra simetricamente. Sobre outros sistemas, consulte o manual de hardware e *ACS880 frames R1 to R11 EMC filter and ground-to-phase varistor disconnecting instructions* (3AUA0000125152 [Inglês]).



A = Sistemas TN-S, B1 = Sistemas de redes flutuantes, B2 = delta de ponto médio, C = Sistema IT



AVISO! Não instale o acionamento com filtro EMC opções +E200 e +E202 ligado a um sistema cujo filtro não seja o adequado. Isto pode ser perigoso ou danificar o acionamento.



AVISO! Não instale o acionamento com o varistor terra-para-fase ligado a um sistema cujo varistor não seja o adequado. Se o fizer, o circuito de varistores pode ser danificado. Consulte o manual de hardware do acionamento.

Nota: Com a opção +E201, remova os parafusos EMC AC, EMC DC e VAR para sistemas diferentes de TN-S, se não tiverem sido removidos na fábrica. Para mais informações, contacte a ABB.

Verificar o isolamento do cabo de entrada e dos cabos do motor

Verifique o isolamento do cabo de entrada de acordo com os regulamentos locais antes de o ligar ao acionamento.

Veja a figura *D* na página 103. Ligue à terra a blindagem do cabo do motor no lado do motor. Para interferência mínima, efetue uma ligação à terra a 360 graus na placa guia de cabos, ou mantenha a espiral curta.

Verifique o isolamento do cabo do motor e do motor quando o cabo estiver desligado do acionamento, veja a figura **E** na página **103**. Medir a resistência de isolamento entre cada condutor de fase e o condutor de proteção de terra usando a tensão de medida de 1000 V CC. A resistência de isolamento de um motor da ABB deve exceder 100 Mohm (valor de referência a 25 °C ou 77 °F). Para a resistência do isolamento de outros motores, consulte as instruções do fabricante. **Nota:** A presença de humidade no interior da caixa do motor reduz a resistência do isolamento. Se suspeitar da presença de humidade, seque o motor e volte a efetuar a medição.

Colocar os autocolante de aviso nos idiomas locais

Ligar os cabos de alimentação

Veja as figuras **C** e **F** nas páginas **102** e **103**. Use cabo de motor blindado simétrico para a cablagem do motor.

1. Retire a tampa frontal. Unidades IP21: Liberte o clipe de retenção com uma chave de parafusos (a) e levante a tampa a partir do fundo (b).
2. Unidades IP21: Remova a tampa da caixa de entrada de cabos desapertando os parafusos de montagem.
3. Cole o autocolante de aviso de tensão residual no idioma local junto do topo da unidade de controlo.
4. Remova as placas laterais da caixa de entrada de cabos:
5. Remova o acrílico dos terminais do cabo de potência, libertando os cliques laterais com chave de parafusos e levantando (a). Faça os furos para os cabos a instalar (b).
6. Em chassis R8 e R9: Faça os furos nos acrílicos dos terminais do cabo de potência para os cabos a serem instalados.
7. Corte os furos adequados nos buçins de borracha. Faça deslizar os buçins para os cabos. Prepare as pontas do cabo. Passe os cabos através dos orifícios da placa inferior e fixe os buçins aos orifícios.
8. Ligue à terra a 360 graus as blindagens do cabo por baixo dos grampos de ligação à terra.
9. Ligue as blindagens entrançadas do cabo aos terminais de terra.
10. Ligue os condutores dos cabos de entrada e do motor. Aperte os parafusos.
11. Unidades com opção +D150: Ligue os condutores da resistência de travagem aos terminais R+ e R-.
12. Se forem instalados cabos em paralelo, instale a prateleira de ligação à terra para as mesmas. Repita os passos 7 a 12.
13. Reinstale a blindagem nos terminais de potência.

14. Reinstale as placas laterais da caixa de entrada de cabos.
15. Fixe mecanicamente os cabos no exterior da unidade.

Ligar os cabos de controlo

Ver a figura [G](#).

1. Instale a prateleira de ligação à terra do cabo de controlo na caixa de entrada de cabos.
2. Faça os furos adequados nos buçins de borracha e faça os mesmos deslizar sobre os cabos. Passe os cabos através dos orifícios da placa inferior e fixe os buçins aos orifícios.
3. Descarne as extremidades do cabo e corte ao comprimento pretendido (considerar o comprimento extra dos condutores de ligação à terra).
4. Ligue à terra as blindagens exteriores de todos os cabos de controlo a 360 graus no grampo de ligação à terra na caixa da entrada de cabo.
5. Ligue à terra as blindagens do par de cabo ao grampo de ligação à terra por baixa da carta de controlo. Deixe a outra extremidade das blindagens desligadas ou ligue-as à terra indiretamente através de um condensador de alta frequência com alguns nano farads, ex.: 3.3 nF / 630 V.
6. Ligue os condutores aos terminais apropriados da placa de controlo (ver a página [72](#)).
7. Ligue os módulos opcionais, se incluídos na entrega.
8. Reinstale a tampa frontal.

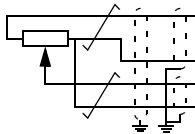
Nota para cabos de fieldbus: Veja a figura [H](#).

1. Instale a prateleira de ligação à terra adicional.
2. Ligue à terra as blindagens exteriores dos cabos 360 graus ao grampo de ligação à terra.
3. Faça os furos na tampa da caixa de entrada de cabos para os cabos a instalar. Instale a tampa da caixa de entrada de cabos.
4. Ligue o conector ao módulo de fieldbus.

Ligações E/S de fábrica

As ligações de E/S por defeito da macro Factory do programa de controlo primário do ACS800, são apresentadas abaixo.

Tamanho cabos:
0.5 ... 2.5 mm²
(24...12 AWG)
Binários de
aperto: 0.5 N·m
(5 lbf·in) para
cablagem
entraçada e
rígida.

**XPOW** Entrada de potência externa

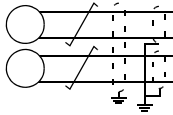
1	+24VI	24 V CC, 2 A
2	GND	

XAI Tensão de referência e entradas analógicas

1	+VREF	10 V CC, R_L 1...10 kohm
2	-VREF	-10 V CC, R_L 1...10 kohm
3	AGND	Terra
4	EA1+	Referência de velocidade 0(2)...10 V, $R_{in} > 200$ kohm
5	EA1-	
6	EA2+	Por defeito não usada. 0(4)...20 mA, R_{in}
7	EA2-	= 100 ohm
J1	J1	Jumper de seleção de corrente/tensão EA1
J2	J2	Jumper de seleção de corrente/tensão EA2

XAO Saídas analógicas

1	SA1	Rpm velocidade do motor 0...20 mA, $R_L < 500$ ohm
2	AGND	Corrente motor 0...20 mA, $R_L <$ 500 ohm
3	SA2	
4	AGND	

**XD2D** Ligação acionamento-para-acionamento

1	B	Ligação acionamento-para-acionamento
2	A	
3	BGND	
J3	J3	Interruptor de ligação de terminação acionamento-para-acionamento

XRO1, XRO2, XRO3 Saídas a relé

11	NF	Pronto 250 V CA / 30 V CC 2 A
12	COM	
13	NA	Operação 250 V CA / 30 V CC 2 A
21	NF	
22	COM	Falha (-1) 250 V CA / 30 V CC 2 A
23	NA	
31	NF	
32	COM	
33	NA	

XD24 Interlock digital

1	DIIL	Permissão func
2	+24VD	+24 V CC 200 mA ¹⁾
3	DICOM	Terra entrada digital
4	+24VD	+24 V CC 200 mA ¹⁾
5	DIOGND	Terra entrada/saída digital
J6	J6	Interruptor de seleção de terra

XDIO Entradas/saídas digitais

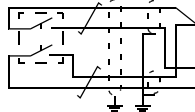
1	ESD1	Saída: Pronto
2	ESD2	Saída: Operação

XDI Entradas digitais

1	ED1	Parar (0) / Arrancar (1)
2	ED2	Direto (0) / Inverso (1)
3	ED3	Rearme
4	ED4	Seleção aceleração & desaceleração
5	ED5	Velocidade constante 1 (1 = On)
6	ED6	Por defeito não usada.

XSTO Binário seguro off

1	OUT1	Binário de segurança off. Ambos os circuitos devem estar fechados para o acionamento arrancar.
2	SGND	
3	IN1	
4	IN2	

**X12** Ligação do módulo de funções de segurança**X13** Ligação da consola de programação**X205** Ligação da unidade de memória

1) A capacidade de
carga total destas
saídas é 4.8 W
(200 mA / 24 V)
menos a potência
tomada por EDS1
e EDS2.

RU — Краткое руководство по монтажу

Настоящее руководство содержит краткие инструкции по монтажу привода. Более подробную информацию, технические указания, технические данные и полные инструкции по технике безопасности см. в руководстве по монтажу и вводу в эксплуатацию (www.abb.com/drives: Выберите *Document Library* и найдите номер документа 3AUA0000078093 (на англ. языке).

Следуйте указаниям по технике безопасности



ПРЕДУПРЕЖДЕНИЕ! Неукоснительно следуйте данным указаниям. Несоблюдение этих указаний может привести к травмам людей вплоть до летального исхода и стать причиной повреждения оборудования.

- К монтажу и техническому обслуживанию привода допускаются только квалифицированные электрики.
- Запрещается выполнять какие-либо работы по обслуживанию привода, двигателя или кабеля двигателя при включенном питании. Если на привод подано напряжение питания, подождите по крайней мере 5 минут после отключения напряжения.
- Запрещается выполнять какие-либо работы с кабелями управления при включенном питании привода или внешних цепей управления.
- Обязательно выполните заземление привода, электродвигателя и сопряженного оборудования на шину защитного заземления (PE) источника питания.
- Перед тем как приступить к монтажу, следует исключить возможность попадания стружки, мусора и иных посторонних материалов внутрь привода.
- Запрещается подавать на привод напряжение выше указанного на паспортной табличке.

Материал пола, на котором устанавливается привод, должен быть негорючим.

RU

Проверьте, не требуется ли формовка конденсаторов

Если на привод не подавалось питание (он находился на хранении или не использовался) в течение одного года или дольше, выполните формовку конденсаторов.

Дату изготовления можно определить по серийному номеру, который указан на прикрепленной к приводу паспортной табличке. Серийный номер имеет формат MYYWWRXXXX. YY и WW указывают год и неделю изготовления, а именно:

YY: 17, 18, 19, ... для 2017, 2018, 2019, ...

WW: 01, 02, 03, ... для 1-й недели, 2-й недели, 3-й недели, ...

Сведения о формовке конденсаторов см. в инструкции *Converter modules with electrolytic DC capacitors in the DC link capacitor reforming instructions* (код английской версии 3BFE64059629), которую можно загрузить в Интернете на странице www.abb.com/drives/documents.

Выберите силовые кабели

Сечение силовых кабелей следует выбирать в соответствии с местными нормами и величиной номинального тока привода, указанной на его паспортной табличке.

Типовые сечения силовых кабелей перечислены в таблице *B* на стр. 102. Конкретные значения сечений приводятся в руководстве по монтажу и вводу в эксплуатацию.

Обеспечьте надлежащее охлаждение

Величину потерь и расхода охлаждающего воздуха см. в таблице *B* на стр. 102. Допустимый диапазон рабочих температур привода, в котором не наблюдается снижение рабочих характеристик, составляет от -15 до $+40$ °C.

Защитите привод и входные силовые кабели.

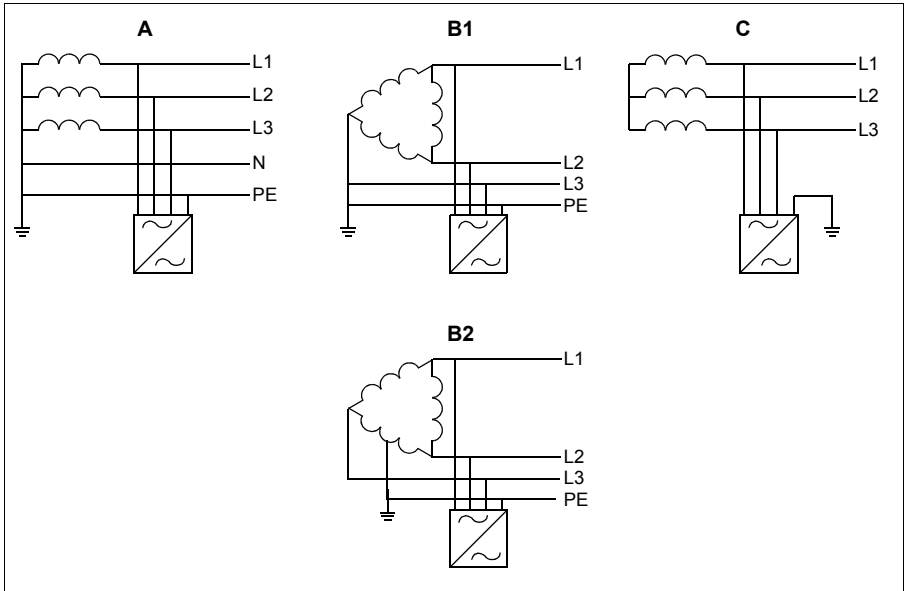
См. таблицу *B* на стр. 102.

Закрепите привод на стене

См. рис. *A* на стр. 101.

Проверьте совместимость с системами IT (незаземленные сети), системами с заземленной вершиной треугольника, системами с заземленной средней точкой треугольника и системами TT

Стандартный привод с подключенными варисторами «земля-фаза» может быть установлен в симметрично заземленной системе TN-S. Сведения о других системах см. в руководстве по монтажу и вводу в эксплуатацию и документе *ACS880 frames R1 to R11 EMC filter and ground-to-phase varistor disconnecting instructions* (код английской версии 3AUA0000125152).



A = система TN-S, B1 = система с заземленной вершиной треугольника, B2 = система с заземленной средней точкой треугольника, C = система IT



ПРЕДУПРЕЖДЕНИЕ! Запрещается устанавливать привод с подключенным фильтром ЭМС (дополнительные компоненты +E200 и +E202) в системе, для которой фильтр не предназначен. Такая ситуация представляет угрозу безопасности и может привести к повреждению привода.



ПРЕДУПРЕЖДЕНИЕ! Запрещается устанавливать привод с подключенным варистором «земля-фаза» в системе, для которой варистор не предназначен. В противном случае возможно повреждение цепи варистора. См. руководство по монтажу и вводу в эксплуатацию привода.

Примечание. При использовании дополнительного компонента +E201 удалите винты EMC AC, EMC DC и VAR во всех системах, кроме TN-S, если эти винты не были удалены на заводе. За дополнительными сведениями обращайтесь в корпорацию ABB.

Проверьте изоляцию питающего кабеля, кабеля двигателя и самого двигателя

Перед подключением входного кабеля к приводу проверьте его изоляцию в соответствии с местными правилами.

См. рис. *D* на стр. 103. Заземлите экран кабеля двигателя со стороны двигателя. С целью сведения к минимуму помех выполните заземление по всей окружности на вводе кабеля или оставьте короткий отрезок экрана.

Проверьте изоляцию двигателя и кабеля двигателя, когда кабель отсоединен от привода, см. рис. *E* на стр. 103. Измерьте сопротивление изоляции между проводниками каждой фазы и проводником защитного заземления, используя контрольное напряжение 1000 В=. Сопротивление изоляции двигателя АВВ должно превышать 100 МОм (справочное значение при 25 °С). Сведения о сопротивлении изоляции других двигателей см. в инструкциях изготовителей.

Примечание. Наличие влаги внутри корпуса двигателя приводит к снижению сопротивления изоляции. Если имеется подозрение о наличии влаги, просушите двигатель и повторите измерение.

Прикрепите предупреждающие наклейки на местных языках

Подключите силовые кабели

См. рис. *C* и *F* на стр. 102 и 103. В качестве кабеля двигателя следует использовать симметричный экранированный кабель.

1. Снимите переднюю крышку. Блоки IP21. С помощью отвертки удалите фиксатор (а) и поднимите крышку, начиная снизу (b).
2. Блоки IP21. Удалите коробку ввода кабелей, отвернув крепежные винты.
3. Прикрепите наклейку с предупреждением об остаточных напряжениях (на местном языке) рядом с блоком управления.
4. Снимите боковые панели коробки ввода кабелей.
5. Удалите щиток с клемм силовых кабелей, для чего отверткой освободите зажимы по бокам и поднимите щиток (а). Выберите отверстия для кабелей (b).
6. Для типоразмеров R8 и R9. Если монтируются параллельные кабели, удалите щитки с клемм силовых кабелей, как требуется для монтируемых кабелей.
7. Прорежьте надлежащие отверстия в резиновых втулках. Надвиньте манжеты на кабели. Разделайте концы кабелей. Пропустите кабели сквозь отверстия в нижней плате и закрепите втулки в отверстиях.
8. Заземлите экраны кабелей по окружности (360 градусов) под зажимами заземления.

9. Подключите скрученные экраны кабелей к клеммам заземления.
10. Подключите проводники питающего кабеля и кабеля двигателя. Затяните винты.
11. Приводы с дополнительным устройством +D150. Подключите проводники кабеля тормозного резистора к клеммам R+ и R-.
12. Если монтируются параллельные кабели, установите для них полку заземления. Повторите шаги 7...12.
13. Верните щиток на клеммы питания.
14. Установите на место боковые пластины коробки ввода кабелей.
15. Механически закрепите кабели за пределами блока.

Подключите кабели управления

См. рис. G.

1. Вставьте полку заземления кабелей управления в коробку ввода кабелей.
2. Прорежьте отверстия требуемого размера в резиновых втулках и наденьте втулки на кабели. Пропустите кабели сквозь отверстия в нижней плате и закрепите втулки в отверстиях.
3. Снимите изоляцию с концов жил кабеля и обрежьте жилы до надлежащей длины (обратите внимание на то, что заземляющие провода должны быть длиннее)
4. Заземлите экраны всех кабелей управления по всей окружности при помощи заземляющего зажима во вводной коробке.
5. Заземлите экраны кабелей типа «витая пара» при помощи заземляющих зажимов под платой управления. Другие концы экранов следует оставить незаземленными или соединить их с землей напрямую через высокочастотный конденсатор емкостью несколько нанофарад, например: 3,3 нФ/630 В.
6. Подсоедините проводники к соответствующим выводам платы управления (см. стр. 79).
7. Подключите дополнительные модули, если они включены в комплект поставки.
8. Установите на место переднюю крышку.

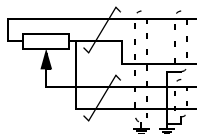
Обратите внимание на проводку Fieldbus. См. рис. [H](#).

1. Установите дополнительную полку заземления.
2. Заземлите внешние экраны кабелей по всей окружности (360 градусов) зажимом заземления.
3. Вырубите отверстия в крышке коробки ввода для устанавливаемых кабелей. Установите крышку коробки ввода кабелей.
4. Вставьте разъем в модуль Fieldbus.

Стандартные подключения входов/выходов

На приведенном ниже рисунке показаны стандартные цепи входов/выходов заводских макросов основной программы управления ACS880.

Сечение проводов:
 0,5 ... 2,5 мм²
 Моменты затяжки: 0,5 Н·м как для многожильного, так и для сплошного провода.


XPOW Вход внешнего питания

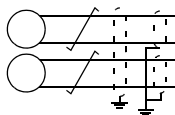
1	+24V _I	24 В=, 2 А
2	GND	

XAI Опорное напряжение и аналоговые входы

1	+VREF	10 В=, R _L 1...10 кОм
2	-VREF	-10 В=, R _L 1...10 кОм
3	AGND	Земля
4	AI1+	Задание скорости 0(2)...10 В, R_{in} > 200 кОм
5	AI1-	
6	AI2+	По умолчанию не используется.
7	AI2-	0(4)...20 мА, R _{in} = 100 Ом
J1	J1	Переключатель выбора тока/напряжения AI1
J2	J2	Переключатель выбора тока/напряжения AI2

XAO Аналоговые выходы

1	AO1	Скорость двигателя, об/мин
2	AGND	0...20 мА, R _L < 500 Ом
3	AO2	
4	AGND	Ток двигателя 0...20 мА, R_L < 500 Ом


XD2D Линия связи привод-привод

1	B	
2	A	Линия связи привод-привод
3	BGND	
J3	J3	Выключатель оконечной нагрузки линии связи привод-привод

XRO1, XRO2, XRO3 Релейные выходы

11	NC	Готов
12	COM	250 В~ / 30 В=
13	NO	2 А
21	NC	В работе
22	COM	250 В~ / 30 В=
23	NO	2 А
31	NC	Отказ (-1)
32	COM	250 В~ / 30 В=
33	NO	2 А

XD24 Цифровая взаимная блокировка

1	D11L	Разрешение работы
2	+24VD	+24 В=, 200 мА ¹⁾
3	D1COM	Земля цифровых входов
4	+24VD	+24 В=, 200 мА ¹⁾
5	D1OGND	Земля цифровых входов/выходов
J6	J6	Переключатель выбора заземления

XDIO Цифровые входы/выходы

1	DIO1	Выход: Готов
2	DIO2	Выход: В работе

XDI Цифровые входы

1	DI1	Останов (0) / Пуск (1)
2	DI2	Вперед (0) / Назад (1)
3	DI3	Сброс
4	DI4	Выбор разгона и замедления
5	DI5	Фиксированная скорость 1 (1 = вкл)
6	DI6	По умолчанию не используется.

XSTO Безопасное отключение крутящего момента

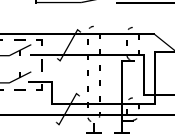
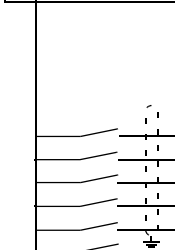
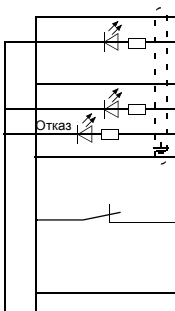
1	OUT1	Функция безопасного отключения крутящего момента. Для пуска привода необходимо замкнуть обе цепи.
2	SGND	
3	IN1	
4	IN2	

X12 Подключение модуля функций защиты

X13 Подключение панели управления

X205 Подключение блока памяти

1) Общая нагрузочная способность этих выходов составляет 4,8 Вт минус мощность, потребляемая цифровыми входами/выходами DIO1 и DIO2.



SV – Snabbguide för installation

Denna guide beskriver i korthet hur frekvensomriktaren installeras. För mera detaljerade instruktioner, konstruktionsriktlinjer, tekniska data och fullständiga säkerhetsinstruktioner, se hårdvaruhandledning (www.abb.com/drives: Välj *Dokumentbibliotek* och sök efter dokumentnummer 3AUA0000078093 [engelska]).

Följ säkerhetsinstruktionerna



WARNING! Följ dessa instruktioner. Om instruktionerna inte följs kan det orsaka personskador eller dödsfall eller skador på utrustningen:

- Endast kvalificerad elektriker får installera och underhålla frekvensomriktaren.
- Arbeta aldrig med frekvensomriktaren, motorkabeln eller motorn när nätspänning är ansluten. Om frekvensomriktaren är ansluten till matningsspänning, vänta 5 minuter efter att den har frånskilts.
- Arbeta aldrig med styrkablarna om frekvensomriktaren eller dess externa styrkretsar är spänningssatta.
- Jorda alltid frekvensomriktaren, motorn och ansluten utrustning till strömförsörjningens skyddsjordledaren (PE).
- Var noga med att inga borr- eller slipspån kommer in i frekvensomriktaren i samband med installationen.
- Anslut inte frekvensomriktaren till en spänning som är högre än markeringen på märkskylten.

Golvet/ytan under frekvensomriktaren måste vara av icke brännbart material.

Kontrollera om kondensatorerna måste reformeras

Reformera kondensatorerna om frekvensomriktaren har förvarats i mer än ett år.

Tillverkningsdatumet kan fastställas med serienumren som finns på märkskylten på frekvensomriktaren. Serienumret är i formatet MAAVVRXXXX. AA och VV visar tillverkningsår och -vecka enligt följande:

ÅÅ: 17, 18, 19, ... för 2017, 2018, 2019, ...

VV: 01, 02, 03, ... för vecka 1, vecka 2, vecka 3, ...

För information om reformering av kondensatorer, se *Converter modules with electrolytic DC capacitors in the DC link capacitor reforming instructions* (3BFE64059629 [engelska]), på Internet på www.abb.com/drives/documents.

Val av kraftkablar

Dimensionera kraftkablarna enligt lokala föreskrifter och den märkström som anges på frekvensomriktarens märkskylt.

Typiska kraftkabeldimensioner anges i tabellen [B](#) på sidan [102](#). För förhållanden för dimensionering, se hårdvaruhandledningen.

Kontrollera att kylningen är tillfredsställande

Se tabell [B](#) på sid [102](#) för information om förlusteffekt och kylflöde genom frekvensomriktaren. Tillåtet driftstemperaturområde för frekvensomriktaren utan nedstämpling är -15 till +40°C.

Skydda frekvensomriktaren och matningskablarna

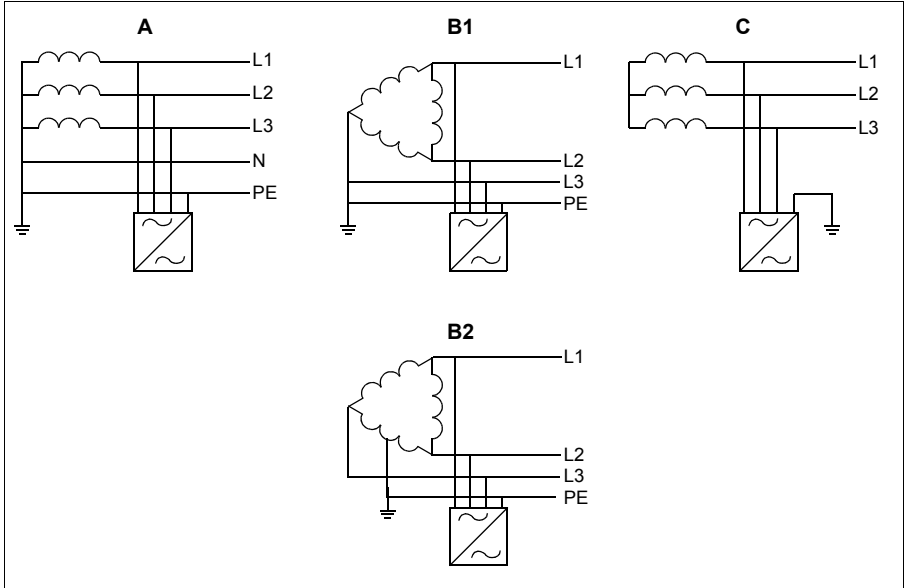
Se tabell [B](#) på sid [102](#).

Installera frekvensomriktaren på vägg

Se figur [A](#) på sidan [101](#).

Kontrollera kompatibilitet med IT-system (icke-direktjordade system), hörnjordade delsystem, mittpunktjordade delsystem och TT-system

Standardfrekvensomriktare med jord till fas-varistorer anslutna kan installeras i ett symmetriskt jordat TN-S-system. För övriga system, se hårdvaruhandledningen och *ACS880 frames R1 to R11 EMC filter and ground-to-phase varistor disconnecting instructions* (3AUA0000125152 [engelska]).



A = TN-S-system, B1 = hörnjordade system, B2 = mittpunktsjordade system, C = IT-system



WARNING! Installera inte frekvensomriktaren med EMC-filtret tillval +E200 och +E202 anslutet till ett system som filtret inte passar till. Detta kan orsaka fara eller skada frekvensomriktaren.



WARNING! Installera inte frekvensomriktaren med jord till fas-varistorn ansluten till ett system som varistorn inte passar till. I så fall kan varistorkretsen skadas. Se frekvensomriktarens hårdvaruhandledning.

Obs! Med tillval +E201, ta bort EMC AC-, EMC DC- och VAR-skruvorna för andra system än TN-S om de inte borttagna från fabrik. För ytterligare information, kontakta ABB.

Kontrollera isolationen hos nätkabel, motor och motorkabel

Kontrollera ingångskabelns isolation enligt lokala föreskrifter innan du ansluter den till frekvensomriktaren.

Se figur *D* på sidan [103](#). Jorda motorkabelskärmen vid motorändan. För att minimera störningarna, gör en 360° runtomgående jordning vid skåpgenomföringen, eller håll skärmstumpen kort.

Kontrollera isolationen hos motorkabel och motor när kabeln är frånkopplad frekvensomriktaren, se figur *E* på sidan 103. Mät isolationsresistansen mellan varje fas och skyddsjordledare med en mätspänning på 1000 V DC. Isolationsresistansen hos en ABB-motor måste överskrida 100 Mohm (referensvärde vid 25 °C). För isolationsresistans hos andra motorer, se respektive tillverkares instruktioner. **Obs!** Fukt inuti motorkapslingen minskar isolationsresistansen. Om fukt misstänks, torka motorn och upprepa mätningen.

Sätt fast varningsetiketten på det lokala språket

Anslut matningskablarna

Se figurerna *C* och *F* på sidorna 102 och 103. Använd symmetrisk skärmad kabel för motoranslutning.

1. Ta av frontkåpan. IP21-enheter: Lossa spärren med en skruvmejsel (a) och dra ut kåpans underdel (b).
2. IP21-enheter: Ta bort locket från kabelingångslådan genom att lossa fästskruvarna.
3. Sätt en varningsetikett för restspänningar på lokalt språk intill styrenheten.
4. Ta bort sidoplattorna på kabelingångslådan.
5. Ta bort kåpan över kraftkabelanslutningarna genom att lossa klämmorna på sidorna med en skruvmejsel och lyfta (a). Öppna de förberedda hålen för kablarna (b).
6. För byggstorlekarna R8 och R9: Om parallellkablar är installerade, ta bort kåporna över de kraftkabelplintar där kablar ska anslutas.
7. Skär lämpliga hål genom gummikragarna. För upp kragarna på kablarna. Förbered kabeländarna. För kablarna genom hålen i bottenplattan och fäst kragarna i hålen.
8. Jorda kabelskärmarna 360° runt om under jordningsöverfallen.
9. Anslut de tvinnade skärmstumparna till jordanslutningarna.
10. Anslut ledarna i matnings- och motorkablarna. Dra åt skruvarna.
11. Enheter med tillval +D150: Anslut ledarna i motståndskabeln till plintarna R+ och R.
12. Om parallella kablar ansluts, montera jordningsplåten för dem. Upprepa steg 7 till 12.
13. Sätt tillbaka kåpan över kraftanslutningarna.
14. Sätt tillbaka sidoplattorna på kabelingångslådan.
15. Fixera kablarna mekaniskt utanför enheten.

Anslut styrkablarna

Se figur [G](#).

1. Montera styrkablarnas jordningsplåt i kabelingångslådan.
2. Skär lämpliga hål i gummikragarna i kabelingångslådans underdel och skjut upp kragarna på kablarna. För kablarna genom hålen i bottenplattan och fäst kragarna i hålen.
3. Skala ledarändarna och kapa ledarna till lämplig längd. Observera att jordledarna behöver vara något längre.
4. Jorda alla yttre skärmar på styrkablar 360° runt om vid en jordklämma i kabelingångslådan.
5. Jorda ledarparskärmarna till en jordklämma under styrkortet. Lämna skärmarnas motsatta ändar oanslutna, eller jorda dem indirekt via en högfrekvenskondensator på några få nanofarad, t.ex. 3,3 nF/630 V).
6. Anslut ledarna till respektive plintar på styrkortet (se sid [86](#)).
7. Anslut tillvalsmodulerna om de har medföljt leveransen.
8. Sätt tillbaka frontkåpan.

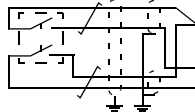
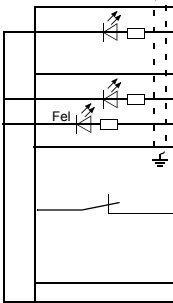
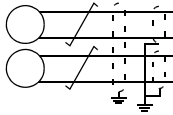
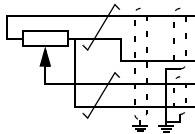
Not för fältbusskablar: Se figur [H](#).

1. Montera den extra jordningsplåten.
2. Jorda den yttre kabelskärmen 360 grader vid jordningsklämman.
3. Öppna de förberedda hålen i kabelingångslådan för kablarna som ska installeras. Installera kabelingångslådan.
4. Anslut kontaktdonet till fältbussmodulen.

Förvalda I/O-anslutningar

De förvalda I/O-anslutningarna för makrot FABRIK i ACS880 standardprogramvara visas nedan.

Ledardimensioner:
 0,5 ... 2,5 mm²
 (24...12 AWG)
 åtdragningsmoment: 0,5 Nm för
 både mångtrådiga och enkel-
 ledare.



XPOW Extern matning		
1	+24VI	24 V DC, 2 A
2	GND	
XAI Referensspänning och analoga ingångar		
1	+VREF	10 V DC, R_i 1...10 kohm
2	-VREF	-10 V DC, R_i 1...10 kohm
3	AGND	Jord
4	AI1+	Varvtalsreferens 0(2)...10 V, $R_{in} > 200$ kohm
5	AI1-	
6	AI2+	Används normalt ej. 0(4)...20 mA, $R_{in} = 100$ ohm
7	AI2-	
J1	J1	AI1 ström/spänning, valbygel
J2	J2	AI2 ström/spänning, valbygel
XAO Analoga utgångar		
1	AO1	Motorvarvtal 0...20 mA, $R_L < 500$ ohm
2	AGND	
3	AO2	Motorström 0...20 mA, $R_L < 500$ ohm
4	AGND	
XD2D Drift till drift-buss		
1	B	Drift till drift-buss
2	A	
3	BGND	
J3	J3	Bygel för terminering av drift till drift-buss
XRO1, XRO2, XRO3 Reläutgångar		
11	NC	Driftklar 250 V AC/30 V DC 2 A
12	COM	
13	NO	Drift 250 V AC/30 V DC 2 A
21	NC	
22	COM	Fel (-1) 250 V AC/30 V DC 2 A
23	NO	
31	NC	Fel (-1) 250 V AC/30 V DC 2 A
32	COM	
33	NO	
XD24 Digital föreggling		
1	DIIL	Driftrigivning
2	+24VD	+24 V DC 200 mA ¹⁾
3	DICOM	Jord för digitala ingångar
4	+24VD	+24 V DC 200 mA ¹⁾
5	DIOGND	Jord för digitala in-/utgångar
J6		Omkopplare för val av jord
XDIO Digitala in-/utgångar		
1	DIO1	Utgång: Driftklar
2	DIO2	Utgång: Drift
XDI Digitala ingångar		
1	DI1	Stopp (0)/Start (1)
2	DI2	Fram (0)/Back (1)
3	DI3	Felåterställning
4	DI4	Val av accelerations-/retardationsramp
5	DI5	Konstant varvtal 1 (1 = På)
6	DI6	Används normalt ej.
XSTO Safe torque off		
1	OUT1	Safe torque off. Båda kretsarna måste vara slutna för att frekvensomriktaren skall starta.
2	SGND	
3	IN1	
4	IN2	
X12 Anslutning för säkerhetsfunktionsmodul		
X13 Anslutning för manöverpanel		
X205 Anslutning för minnesenhet		

1) Total belastningsskapacitet för dessa utgångar är 4,8 W (200 mA / 24 V) minus den effekt som krävs av DIO1 och DIO2.

TR – Hızlı montaj kılavuzu

Bu kılavuz sürücüyü nasıl kuracağınız hakkında kısa talimatlar verir. Daha ayrıntılı talimatlar, mühendislik kılavuzları, teknik veriler ve eksiksiz güvenlik talimatları için lütfen donanım kılavuzuna bakın (www.abb.com/drives; *Document Library (Belge Kütüphanesi)*)'ni seçin ve 3AUA0000078093 [İngilizce] numaralı belgeyi arayın).

Güvenlik talimatlarına uyun



UYARI! Bu talimatlara uyun. Bunlara uymamanız halinde ölüm ya da yaralanma söz konusu olabilir veya ekipman zarar görebilir.

- Sürücünün kurulumu ve bakımı sadece yetkili elektrik uzmanları tarafından yapılmalıdır.
- Enerji verildiğinde sürücü, motor kablosu ve motor üzerinde hiçbir işlem yapmayın. Sürücü zaten giriş gücüne bağlıysa giriş gücü bağlantısını kestikten sonra 5 dakika bekleyin.
- Sürücü veya harici kontrol devrelerine enerji verilirken kontrol kabloları üzerinde asla çalışma yapmayın.
- Sürücüyü, motoru ve bitişik ekipmanları her zaman güç kaynağının koruyucu topraklama (PE) barasına topraklayın.
- Delme ve taşlama kalıntılarının kurulum sırasında sürücü içine girmemesine dikkat edin.
- Sürücüyü tip tanımlama etiketinde belirtilenden daha yüksek bir gerilime bağlamayın.

Sürücünün altındaki zemin malzemesi yanmaz nitelikte olmalıdır.

Kondansatörlerin yenilenmesinin gerekip gerekmediğini kontrol edin

Sürücüye bir yıl veya daha uzun süre güç verilmemişse (sürücü depolanmışsa veya kullanılmıyorsa) kondansatörler yenilenmelidir.

Üretim tarihini, sürücünün üzerindeki tip tanımlama etiketinde bulabileceğiniz seri numarasından belirleyebilirsiniz. Seri numarası MYYWWWRXXXX biçimindedir. YY ile WW üretim yılını ve haftasını gösterir.

YY: 2017, 2018, 2019, ... için 17, 18, 19, ...

WW: hafta 1, hafta 2, hafta 3, ... için 01, 02, 03, ...

Kondansatörlerin yenilenmesi ile ilgili bilgi için, bkz. *Converter modules with electrolytic DC capacitors in the DC link capacitor reforming instructions* (3BFE64059629 [İngilizce]), İnternet'te www.abb.com/drives/documents adresinde bulunmaktadır.

Güç kablolarını seçin

Sürücünüzün tip belirleme etiketinde verilen nominal akımı taşımak için güç kablolarını yerel yönetmeliklere uygun olarak boyutlandırın.

Tipik güç kablosu boyutları için bkz. tablo *B*, sayfa *102*. Boyutlandırma ilgili koşullar için lütfen donanım kılavuzuna bakın.

Soğutmayı sağlayın

Kayıplar ve sürücünün içinden geçen soğutma hava akışı için, bkz. tablo *B* sayfa *102*. Değer kaybı olmadan sürücünün izin verilen işletim sıcaklığı aralığı -15 ile +40°C arasındadır.

Sürücü ve giriş güç kablolarını koruyun.

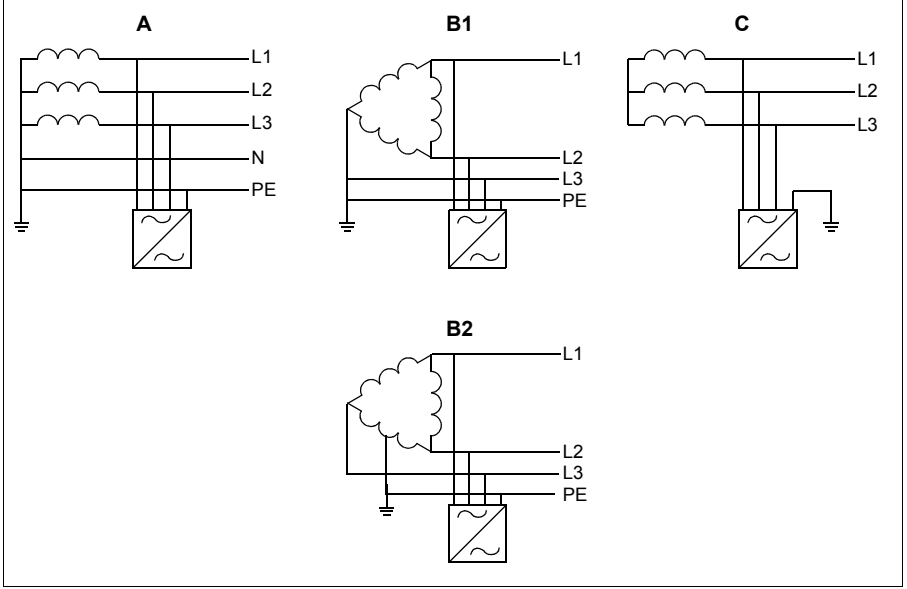
Bkz. tablo *B*, sayfa *102*.

Sürücüyü duvara monte edin

Bkz. şekil *A*, sayfa *101*.

IT (topraklamasız), köşe topraklamalı delta, orta nokta topraklamalı delta ve TT sistemlerle uyumluluğu kontrol edin

Toprak-faz varistörü bağlı olan standart sürücü, simetrik topraklamalı bir TN-S sistemine takılabilir. Diğer sistemler için bkz. donanım kılavuzu ve *ACS880 frames R1 to R11 EMC filter and ground-to-phase varistor disconnecting instructions* (3AUA0000125152 [İngilizce])



A = TN-S sistemi, B1 = Köşe topraklamalı sistem, B2 = Orta nokta topraklamalı sistem, C = IT sistemi



UYARI! EMC filtresi opsiyonları +E200 ve +E202 bağlı olan bir sürücüyü filtrenin uygun olmadığı bir sisteme monte etmeyin. Bu, tehlikeye veya sürücüde hasara neden olabilir.



UYARI! Toprak-faz varistörü bağlı olan bir sürücüyü varistörün uygun olmadığı bir sisteme monte etmeyin. Aksi halde, varistör devresi hasar görebilir. Sürücü donanım kılavuzuna bakın.

Not: +E201 opsiyonunda, TN-S dışındaki sistemlerde bulunan EMC AC, EMC DC ve VAR vidalarını fabrikada sökülmemişlerse sökün. Daha fazla bilgi için, ABB ile irtibata geçin.

Giriş ve motor kabloları ile motorun yalıtımını kontrol edin

Sürücüye bağlamadan önce yerel yasalara uygun olarak giriş kablosunun yalıtımını kontrol edin.

Bkz. şekil *D*, sayfa *103*. Motor kablo blendajını motor tarafında topraklayın. Mümkün olan en az parazit için, kablo geçişinde 360 derece topraklama yapın veya saç örgüsünü kısa tutun.

Motor kablosu sürücüden ayrılmış durumdayken, motor kablosunun ve motorun yalıtımını kontrol edin, bkz. şekil E, sayfa 103. 1000 VDC ölçüm gerilimi kullanarak her bir faz iletkeni ile motor Koruyucu Topraklama iletkeni arasındaki yalıtım direncini ölçün. ABB motorunun yalıtım direnci 100 Mohm'u geçmelidir (referans değer, 25°C veya 77°F'de). Diğer motorların yalıtım direnci için, lütfen üreticinin talimatlarına başvurun. **Not:** Motor muhafazası içindeki nem yalıtım direncini düşürecektir. Nemden şüphe edilirse motoru kurutun ve ölçümü tekrarlayın.

Yerel dillerdeki uyarı etiketlerini yapıştırın

Güç kablolarını bağlayın

Bkz. şekil C ve F, sayfa 102 ve 103. Motor kablosu için simetrik blendajlı kablo kullanın.

1. Ön kapağı çıkarın. IP21 kasaları: Tutma klipsini bir tornavida (a) ile açın ve kapağı alttan dışarı doğru (b) kaldırın.
2. IP21 kasaları: Montaj vidalarını sökerek kablo giriş kutusunu kapağını çıkarın.
3. Lokal dildeki kaçak gerilim uyarı etiketini kontrol ünitesinin yan tarafına yapıştırın.
4. Kablo giriş kutusunun yan plakalarını çıkarın.
5. Bir tornavida ile yan taraflardaki klipsleri açıp kaldırarak güç kablosu terminallerinin üzerindeki kapağı çıkarın (a). Kablolar (b) için delikler açın.
6. R8 ve R9 kasalar için: Paralel kablolar takılacaksa takılacak kablolar için güç kablosu terminalleri üzerindeki muhafazada delikler açın.
7. Lastik rondelalara yeteri kadar delik açın. Rondelaları kabloların üzerine doğru kaydırın. Kablo uçlarını hazırlayın. Kabloları, alt plaka deliklerinin içine kaydırın ve rondelaları deliklere takın.
8. Kablo blendajlarını topraklama kelepçeleri altında 360 derece topraklayın.
9. Bükümlü kablo blendajlarını topraklama terminallerine bağlayın.
10. Giriş ve motor kablolarının iletkenlerini bağlayın. Vidaları sıkın.
11. +D150 opsiyonu bulunan kasalar: Fren direnci kablosunun iletkenlerini R+ ve R- terminallerine bağlayın.
12. Paralel kablolar takılacaksa bunlar için topraklama rafını takın. 7 - 12 arası adımları tekrarlayın.
13. Kapağı güç terminallerinin üzerine tekrar takın.
14. Kablo giriş kutusunun yan plakalarını tekrar takın.
15. Ünitenin dışında yer alan kabloları mekanik olarak sabitleyin.

Kontrol kablolarını bağlayın

Bkz. şekil [G](#).

1. Kontrol kablosu topraklama rafını kablo giriş kutusuna takın.
2. Lastik rondelaların içine yeterince delik açın ve rondelaları kabloların üstüne kaydırın. Kabloları, alt plaka deliklerinin içine kaydırın ve rondelaları deliklere takın.
3. Kablo uçlarını soyun ve uygun uzunlukta kesin (topraklama iletkenlerinin ilave uzunluğuna dikkat edin).
4. Tüm kontrol kablolarının dış blendajlarını kablo giriş kutusundaki bir topraklama kelepçesinde 360 derece topraklayın.
5. Çift kablo blendajlarını kontrol paneli altındaki bir topraklama kelepçesine topraklayın. Blendajların diğer ucunu boşta bırakın veya birkaç nanofarad yüksek frekanslı kondansatör üzerinden dolaylı olarak topraklayın; ör. 3,3 nF / 630 V.
6. İletkenleri kontrol panelinin ilgili terminallerine bağlayın (bkz. sayfa [92](#)).
7. Teslimata dahil olmaları halinde opsiyonel modüllerin kablolarını bağlayın.
8. Ön kapağı tekrar takın.

Haberleşme kabloları için not: Bkz. şekil [H](#).

1. İlave topraklama rafını takın.
2. Dış kabloların blendajlarını bir topraklama kelepçesinde 360 derece topraklayın.
3. Takılacak kablolar için kablo giriş kutusu kapağında delikler açın. Kablo giriş kutusu kapağını takın.
4. Konektörü haberleşme modülüne takın.

Varsayılan I/O bağlantıları

ACS880 birincil kontrol programı Fabrika makrosunun varsayılan G/Ç bağlantıları aşağıda gösterilmiştir.

Kablo boyutları:
0,5 ... 2,5 mm²

(24...12 AWG)

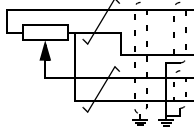
Sıkma torkları:

Hem telli hem

som kablo için

0,5 N·m

(5lbf-in).



XPOW Harici güç girişi

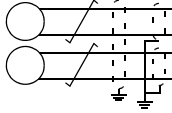
1	+24V	24 VDC, 2 A
2	GND	

XAI Referans gerilimi ve analog girişler

1	+VREF	10 VDC, R_L 1...10 kohm
2	-VREF	-10 VDC, R_L 1...10 kohm
3	AGND	Topraklama
4	AI1+	Hız referansı 0(2)...10 V, $R_{in} >$ 200 kohm
5	AI1-	
6	AI2+	Varsayılan olarak kullanımda değildir. 0(4)...20 mA, $R_{in} >$ 100 ohm
7	AI2-	
J1	J1	AI1 akım/gerilim seçim jumper'ı
J2	J2	AI2 akım/gerilim seçim jumper'ı

XAO Analog çıkışlar

1	AO1	Motor hızı rpm 0...20 mA, $R_L <$ 500 ohm
2	AGND	Motor akımı 0...20 mA, $R_L <$ 500 ohm
3	AO2	
4	AGND	



XD2D Sürücü - sürücü bağlantısı

1	B	Sürücü - sürücü bağlantısı
2	A	
3	BGND	
J3	J3	Sürücü - sürücü bağlantısı sonlandırma anahtarı

XRO1, XRO2, XRO3 Röle çıkışları

11	NC	Hazır 250 VAC/30 VDC 2 A
12	COM	
13	NO	Çalışıyor 250 VAC/30 VDC 2 A
21	NC	
22	COM	Hatalı(-) 250 VAC/30 VDC 2 A
23	NO	
31	NC	
32	COM	
33	NO	

XD24 Dijital kilit

1	DIIL	Çalışma izni
2	+24 VD	+24 VDC 200 mA ¹⁾
3	DICOM	Dijital giriş toprak hattı
4	+24 VD	+24 VDC 200 mA ¹⁾
5	DIOGND	Dijital giriş/çıkış toprak hattı
J6	J6	Toprak seçim anahtarı

XDIO Dijital giriş/çıkışlar

1	DIO1	Çıkış: Hazır
2	DIO2	Çıkış: Çalışıyor

XDI Dijital girişler

1	DI1	Stop (0) / Start (1)
2	DI2	İleri (0) / Geri (1)
3	DI3	Reset
4	DI4	Hızlanma ve yavaşlama seçimi
5	DI5	Sabit hız 1 (1 = Açık)
6	DI6	Varsayılan olarak kullanımda değildir.

XSTO Güvenli moment kapatma

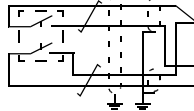
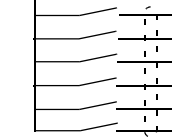
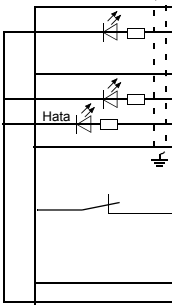
1	OUT1	Güvenli moment kapatma. Sürücünün başlaması için her iki devre kapatılmalıdır.
2	SGND	
3	IN1	
4	IN2	

X12 Güvenlik fonksiyonları modülü bağlantısı

X13 Kontrol paneli bağlantısı

X205 Hafıza kartı bağlantısı

1) Bu çıkışların toplam yük kapasitesi 4,8 W (200 mA / 24 V) eksi DIO1 ve DIO2 tarafından alınan güçtür.



中文 - 快速安装指南

本指南简要介绍如何安装变频器。更多详细说明、工程指导、技术数据和完整安全说明，请参阅硬件手册（www.abb.com/drives：选择文件库并搜索文件编号 3AUA0000078093 [英文]）。

遵循安全指导



警告！ 请遵循这些指导。如果忽略这些指导，可能会导致受伤、死亡或设备损坏：

- 仅允许由具备资质的专业电工对变频器进行安装和维护。
- 当接上主电源时，切勿对变频器、电机电缆或电机进行操作。如果变频器已经连接到了输入电源，请在断开输入电源等待 5 分钟后，再对变频器、电机电缆或电机进行操作。
- 当变频器或外部控制电路连接了电源时，切勿触碰控制电缆。
- 请务必将变频器、电机和相邻设备接到电源的保护接地网 (PE) 上。
- 在安装时，确保不让钻孔和研磨产生的碎屑进入变频器。
- 切勿将变频器连接到带有高于型号标签上所标电压数值的电源。

变频器下方的地板材料应阻燃。

检查电容是否需要重整

如果变频器超过一年或以上未通电（储存或闲置），则电容需要重整。

您可以从序列号来确定生产日期，序列号可以在变频器所贴的型号标签上找到。序列号的格式为 MYYWWRXXXX。YY 和 WW 以如下方式说明生产年份和周次：

YY: 17、18、19、... 分别代表 2017 年、2018 年、2019 年、...

WW: 01、02、03、... 分别代表第 1 周、第 2 周、第 3 周、...

有关电容重整的信息，请参阅互联网上的 *直流链路电容重整说明中的带直流电解电容的变频器模块* (3BFE64059629 [英语])，网址：

www.abb.com/drives/documents。

选择电缆

应根据当地规范选择能承载变频器型号标签上标称电流的电缆规格。

请查阅第 102 页上的表 B：典型的电力电缆尺寸，请参阅硬件手册。

确保冷却

请参阅第 102 页上的表 B 了解传动损耗和冷却空气流量。在不降低额定值的情况下，传动的允许工作温度范围为 -15 到 +40 °C。

保护传动和输入电缆

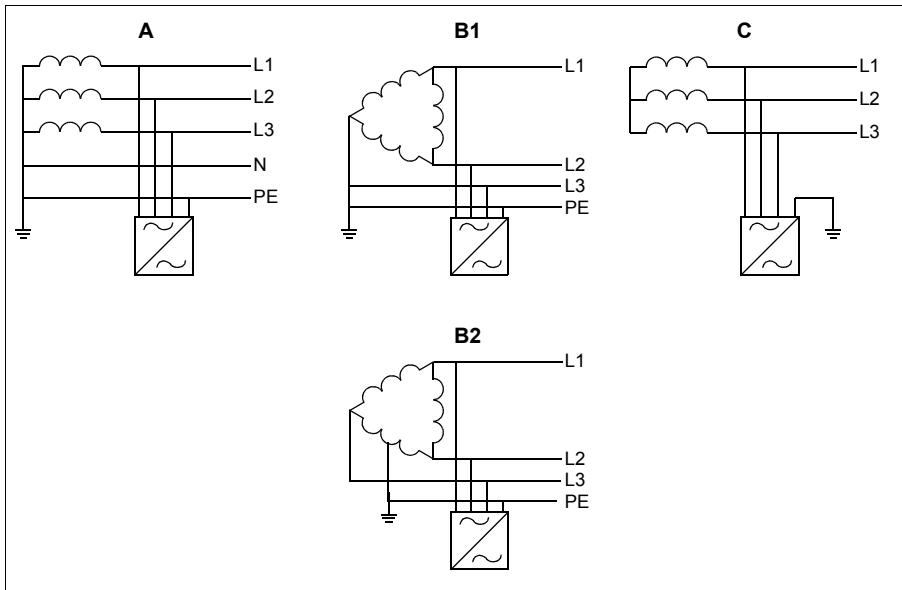
请参阅第 102 页表 B。

在墙上安装变频器

请参阅第 101 页的图 A。

检查与 IT（不接地）系统、角接地三角形系统、中点接地三角形系统和 TT 系统的兼容性。

带有相线对地压敏电阻的标准变频器可被安装至对称接地的 TN-S 系统。对于其他系统，请参阅硬件手册和 ACS880 外形尺寸 R1 -R11 EMC 滤波器和压敏电阻断开说明 (3AUA0000125152 [英语])。



ZH A = TN-S 系统, B1 = 角接地系统, B2 = 中点接地系统, C = IT 系统。



警告！ 勿将带有 EMC 滤波器选件 (+E200 和 +E202) 的变频器连接至滤波器不兼容的系统中。这可能会导致危险或损坏变频器。



警告！ 勿将带有压敏电阻的变频器连接至压敏电阻不兼容的系统中。如果您这么做，压敏电阻电路将会损坏。请参阅变频器硬件手册。

注： 使用+E201选件，拆除TN-S以外系统中的EMCAC、EMCDC和VAR螺丝，如果出厂时没有拆除。更多信息请联系 ABB。

检查输入和电机电缆以及电机本身的绝缘

将输入电缆连接到传动前，请按当地法规检查其绝缘情况。

请参阅第 103 页的图 D。在电机端将电机电缆屏蔽层接地。要使干扰降至最低水平，在线缆接入处提供 360 度接地或尽可能地缩短屏蔽层接地的裸露部分。

电机电缆从传动上断开时，检查电机和电机电缆绝缘情况，请参见第 E 页的图 103。使用 1000V DC 测量电压测量各相导线之间的绝缘电阻，然后测量每相导线与保护接地导线之间的绝缘电阻。ABB 电机的绝缘电阻必须超过 100 Mohm（参照值为 25°C 或 77°F 时测得）。对于其他电机的绝缘电阻，请参阅其制造商的说明。**注：** 电机外壳内部的湿气会降低绝缘电阻。如果湿气长期存在，请干燥电机后再次测量。

贴上以当地语言写成的警告贴纸

连接电力电缆

请参阅第 102 和 103 页的图 C 和 F。请使用对称屏蔽电缆进行电机电缆敷设。

1. 卸下前盖。**IP21 变频器:** 用螺丝刀松开固定夹(a)并从底部向外抬起盖板(b)。
2. **IP21 变频器:** 拆除安装螺丝拆下电缆接线盒。
3. 将本地语言的剩余电压警告贴纸贴在控制盘安装的醒目位置。
4. 卸下电缆接线盒的侧板:
5. 用螺丝刀松开两侧夹子，并抬起，卸下电力电缆端子上的护罩。在对应安装电缆的位置开孔 (b)。
6. **外型尺寸 R8 和 R9:** 如果安装平行电缆，撬开电力电缆端子上的护罩以便进行安装。
7. 在橡胶绝缘圈上切出足够大的孔。将绝缘圈套入电缆。准备好电缆端头。将电缆从底板的孔中穿过并将绝缘圈固定到接线盒的底板孔上。
8. 在接地夹下将电缆屏蔽层做 360 度接地。
9. 将电缆的双绞线屏蔽层连接到接地端子。
10. 连接输入电缆与电机电缆，拧紧螺钉。
11. **带 +D150 选件的变频器:** 将制动电阻电缆连接到 R+ 和 R- 端子。
12. **如果安装平行电缆，** 请安装接地架。重复第 7 到第 12 步。

13. 在电源端子上装回盖板。
14. 装回电缆接入盒的侧板。
15. 将导线在变频器单元外机械紧固。

连接控制电缆

请参阅图片 **G**。

1. 将控制电缆接地架安装在变频器底部的电缆接线盒。
2. 在橡胶绝缘圈上切出足够大的孔，然后将绝缘圈套到电缆上。将电缆从底板的孔中穿过并将绝缘圈固定到接线盒的底板孔上。
3. 剥开电缆末端并截取到合适的长度（要注意接地导线的额外长度）。
4. 在电缆接线盒的接地夹处，将所有控制电缆的外屏蔽层做 360 度接地。
5. 将双电缆屏蔽层接地至控制板下方的接地夹上。使护罩另一端处于未连接状态或使用 3.3 nF/630 V 等纳法级高频电容器间接接地。
6. 将导线连接到控制板的适当端子上（参见 97）。
7. 如果交付的货物中包括选装模块，则为其连接电缆。
8. 装回前盖。

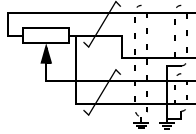
现场总线布线注意事项请参阅图片 **H**。

1. 安装附加接地架。
2. 将电缆的外屏蔽层在接地夹处 360 度接地。
3. 在电缆接线盒盖上对应安装电缆的位置开孔，引入通讯电缆。
4. 将通讯电缆接头连接现场总线模块。

默认 I/O 连接

ACS880 工厂宏控制程序的默认 I/O 连接如下所示。

电缆规格:
0.5 ... 2.5 mm²
(24...12 AWG)
拧紧扭矩:
0.5 N·m
(5 lbf·in) 适
用于多芯和实心
导线。

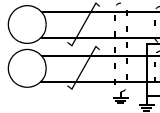


XPOW 外部电源输入

1	+24VI	24 V DC, 2 A
2	GND	

XAI 参考电压和模拟输入

1	+VREF	10 V DC, R_L 1...10 kohm
2	-VREF	-10 V DC, R_L 1...10 kohm
3	AGND	地
4	AI1+	速度参考 0(2)...10 V, $R_{in} > 200$ kohm
5	AI1-	
6	AI2+	默认不使用。0(4)...20 mA, $R_{in} = 100$ ohm
7	AI2-	
J1	J1	AI1 电流/电压选择跳线
J2	J2	AI2 电流/电压选择跳线



XAO 模拟输出

1	AO1	电机速度 rpm 0...20 mA, $R_L < 500$ ohm
2	AGND	
3	AO2	电机电流 0...20 mA, $R_L < 500$ ohm
4	AGND	

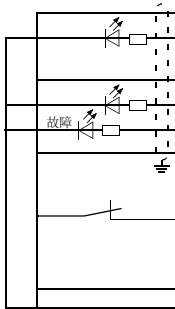
XD2D 变频器到变频器链路

1	B	变频器到变频器链路
2	A	
3	BGND	
J3	J3	变频器到变频器链路终端开关。

XRO1, XRO2, XRO3 继电器输出

11	NC	就绪 250 VAC / 30 VDC 2 A
12	COM	
13	NO	正在运行 250 VAC / 30 VDC 2 A
21	NC	
22	COM	故障 (-1) 250 VAC / 30 VDC 2 A
23	NO	
31	NC	
32	COM	
33	NO	

1) 这些输出的总负载能力为 4.8 W (200 mA / 24 V) 减去 DIO1 和 DIO2 的功耗。



XD24 数字联锁

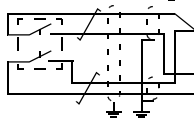
1	DIIL	运行使能
2	+24VD	+24 V DC 200 mA ¹⁾
3	DICOM	数字输入接地
4	+24VD	+24 V DC 200 mA ¹⁾
5	DIOGND	数字输入/输出接地
J6	J6	接地选择开关

XDIO 数字输入/输出

1	DIO1	输出: 就绪
2	DIO2	输出: 正在运行

XDI 数字输入

1	DI1	停止(0) / 启动(1)
2	DI2	正向(0) / 反向(1)
3	DI3	复位
4	DI4	斜坡时间选择
5	DI5	恒定转速 1 (1 = 开启)
6	DI6	默认不使用。



XSTO 安全转知取消

1	OUT1	安全转知取消。两个电路都必须闭合后方可启动电机。
2	SGND	
3	IN1	
4	IN2	

X12 安全功能模块连接

X13 控制盘连接

X205 记忆单元连接

Declaration of conformity



EU Declaration of Conformity

Machinery Directive 2006/42/EC

We

Manufacturer: ABB Oy
Address: Hiomotie 13, 00380 Helsinki, Finland.
Phone: +358 10 22 11

declare under our sole responsibility that the following products:

Frequency converters

ACS880-01/-11/-31

ACS880-04/-04F/-M04/-14/-34

with regard to the built-in safety function:

Safe torque off;

and with regard to the following optional safety functions with FSO-12 module (option code +Q973, encoderless):

**Safe stop 1; Safe stop emergency; Safely-limited speed; Safe maximum speed;
Safe brake control; Prevention of Unexpected Start-up;**

and with regard to the following optional safety functions with FSO-21 and FSE-31 modules (option codes +Q972 and +L521):

**Safe stop 1; Safe stop emergency; Safely-limited speed; Safe maximum speed;
Safe brake control; Safe speed monitor; Safe direction; Prevention of
Unexpected Start-up;**

and with regard to the following optional safety function with FPTC-01 thermistor protection module (option code +L536):

Safe Motor Temperature;

are in conformity with all the relevant safety component requirements of EU Machinery Directive 2006/42/EC, when the listed safety functions are used for safety component functionality.

3AXD10000099646

1 (2)



The following harmonized standards have been applied:

EN 61800-5-2:2007	<i>Adjustable speed electrical power drive systems – Part 5-2: Safety requirements - Functional</i>
EN 62061:2005 + AC:2010 + A1:2013 + A2:2015	<i>Safety of machinery – Functional safety of safety-related electrical, electronic and programmable electronic control systems</i>
EN ISO 13849-1:2015	<i>Safety of machinery – Safety-related parts of control systems. Part 1: General requirements</i>
EN ISO 13849-2:2012	<i>Safety of machinery – Safety-related parts of the control systems. Part 2: Validation</i>
EN 60204-1: 2006 + A1:2009 + AC:2010	<i>Safety of machinery – Electrical equipment of machines – Part 1: General requirements</i>

The following other standards have been applied:

IEC 61508:2010	Functional safety of electrical / electronic / programmable electronic safety-related systems
IEC 61800-5-2:2016	Adjustable speed electrical power drive systems – Part 5-2: Safety requirements - Functional

The products referred in this Declaration of conformity fulfil the relevant provisions of other European Union Directives which are notified in Single EU Declaration of conformity 3AXD10000497831.

Person authorized to compile the technical file:

Name and address: Ari Korpela, Hiomotie 13, 00380 Helsinki, Finland.

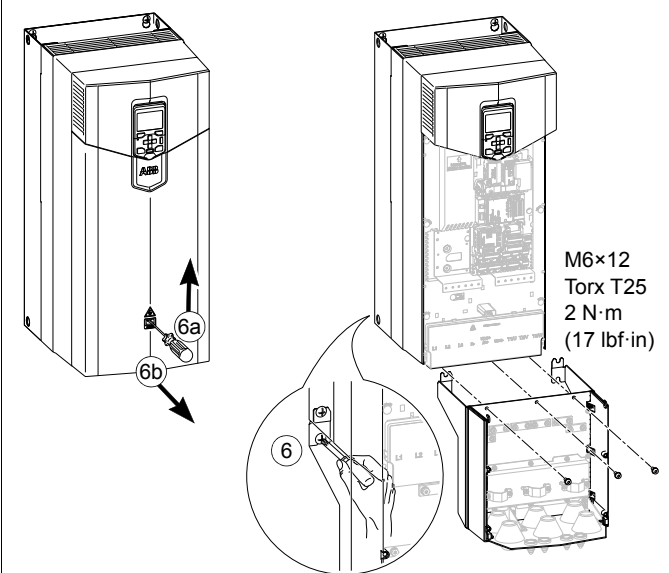
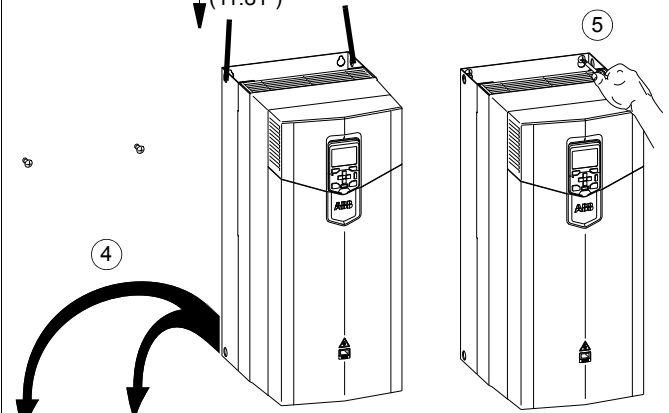
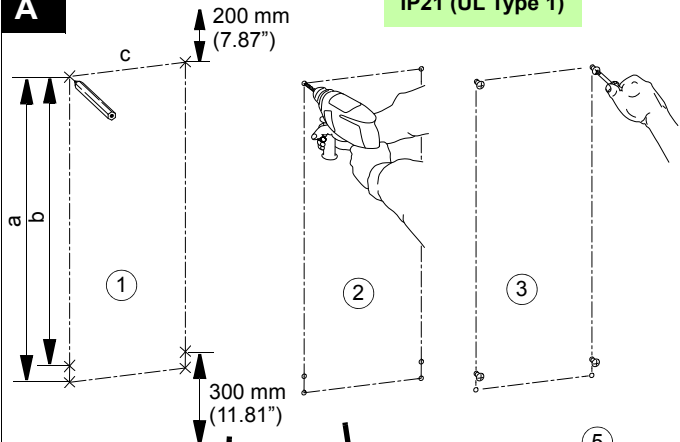
Helsinki, 29 Jan 2018

Manufacturer representative:

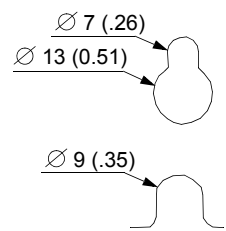
Vesa Kandell
Vice President, ABB Oy

A

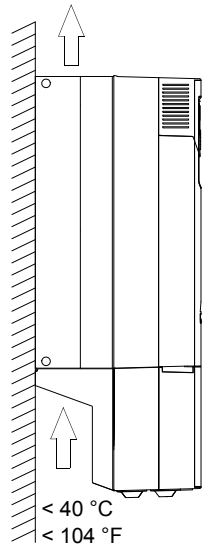
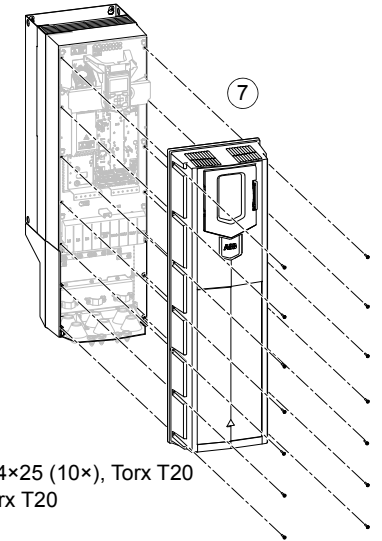
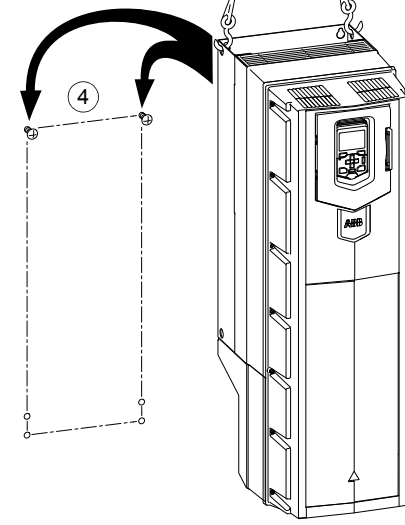
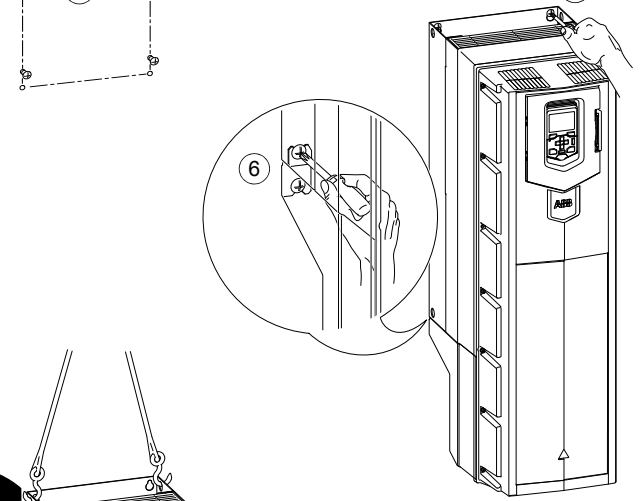
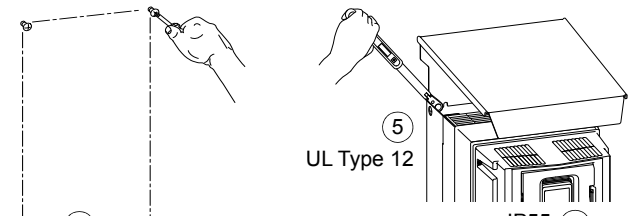
IP21 (UL Type 1)



	IP21, IP55			IP21	IP55
	a (mm)	b (mm)	c (mm)	kg	kg
R6	571	531	212.5	45	45
R7	623	583	245	55	55
R8	701	658	262.5	70	72
R9	718	658	345	98	100
	(in)	(in)	(in)	lb	lb
R6	22.50	20.91	8.37	99	99
R7	24.53	22.95	9.65	121	121
R8	27.61	25.91	10.33	154	159
R9	28.29	25.91	13.58	216	220

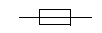


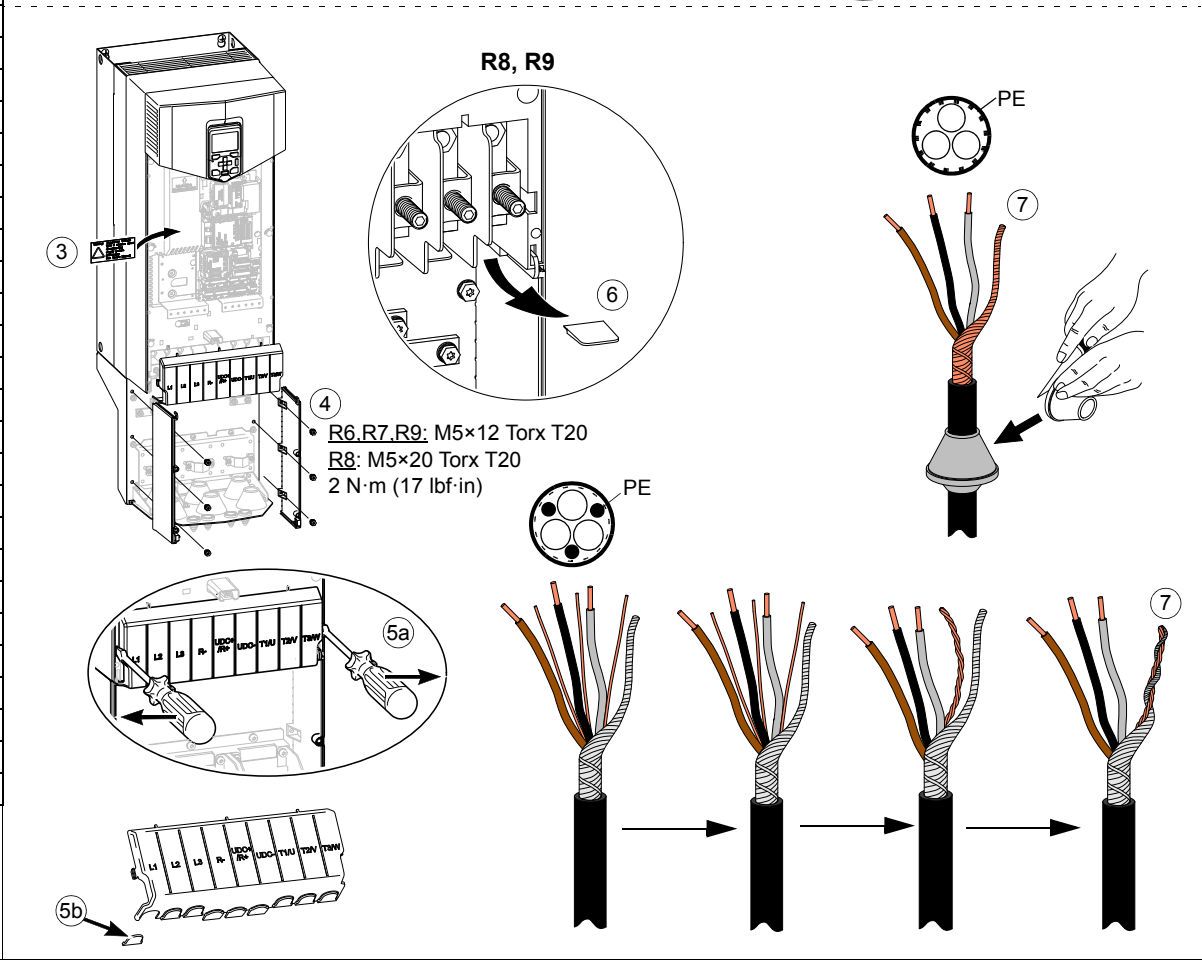
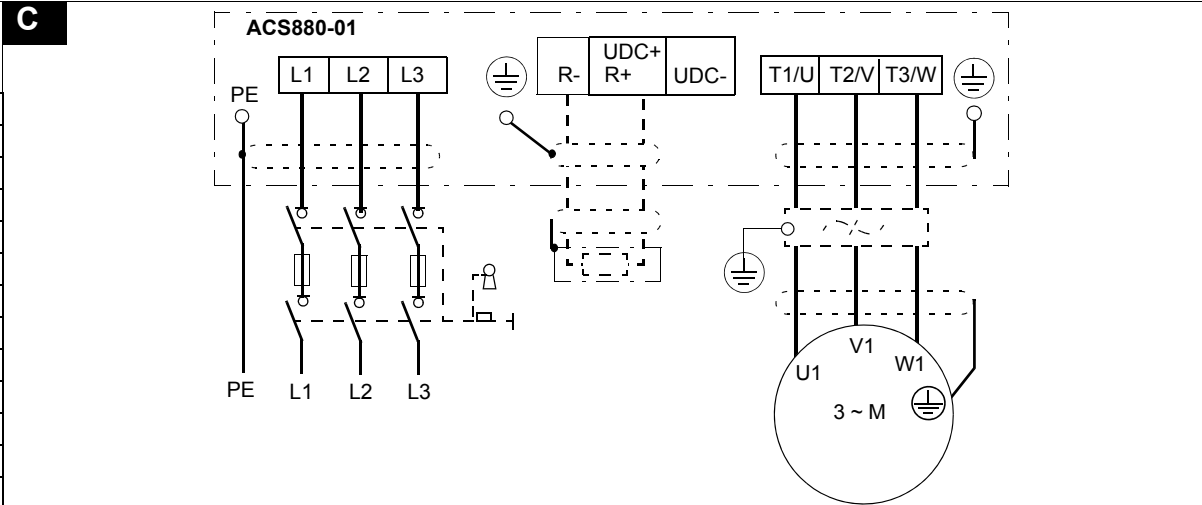
IP55 (UL Type 12) +B056



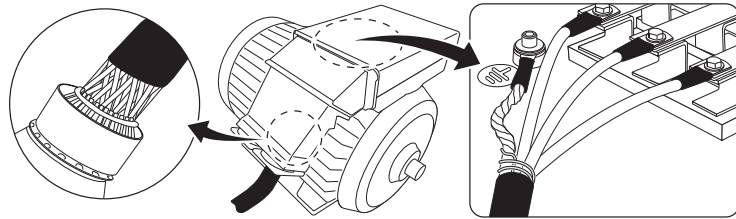
R6: M4x40 (2x), M4x25 (10x), Torx T20
 R7...R9: M4x25 Torx T20
 2 N·m (17 lbf·in)



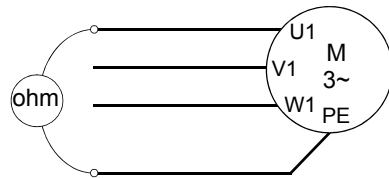
Drive type ACS880-01-	Air flow	Losses		Typical Cu cable size	
	(m ³ /h)	(W)		IEC mm ²	US AWG/kcmil
U_N = 230 V					
115A-2	435	840	170M3815	3×50	1
145A-2	435	940	170M3816	3×95	2/0
170A-2	450	1260	170M3817	3×120	3/0
206A-2	450	1500	170M3818	3×150	250 MCM
274A-2	550	2100	170M5809	2 × (3×95)	2 × 3/0
U_N = 400 V					
105A-3	435	1295	170M1569	3×50	1
145A-3	435	1440	170M3816	3×95	2/0
169A-3	450	1940	170M3817	3×120	3/0
206A-3	450	2310	170M3818	3×150	250 MCM
246A-3	550	3300	170M5809	2 × (3×70)	300 MCM
293A-3	550	3900	170M5810	2 × (3×95)	2 × 3/0
363A-3	1150	4800	170M5812	2 × (3×120)	2 × 4/0
430A-3	1150	6000	170M5813	2 × (3×150)	2 × 250 MCM
442A-3	1150	6000	170M5813	2 × (3×150)	2 × 250 MCM
U_N = 500 V					
096A-5	435	1295	170M3815	3×50	1
124A-5	435	1440	170M3816	3×95	2/0
156A-5	450	1940	170M3817	3×120	3/0
180A-5	450	2310	170M3817	3×150	250 MCM
240A-5	550	3300	170M5819	2 × (3×70)	300 MCM
260A-5	550	3900	170M5809	2 × (3×70)	2 × 2/0
361A-5	1150	4800	170M5812	2 × (3×120)	2 × 250 MCM
414A-5	1150	6000	170M5813	2 × (3×150)	2 × 250 MCM
441A-5	1150	6000	170M5813	2 × (3×150)	2 × 250 MCM
U_N = 690 V					
061A-7	435	1295	170M1568	3×25	4
084A-7	435	1440	170M1569	3×35	3
098A-7	450	1940	170M3815	3×50	2
119A-7	450	2310	170M3815	3×70	1/0
142A-7	550	3300	170M3816	3×95	2/0
174A-7	550	3900	170M3817	3×120	4/0
210A-7	1150	4200	170M5808	3×185	300 MCM
271A-7	1150	4800	170M5810	3×240	400 MCM



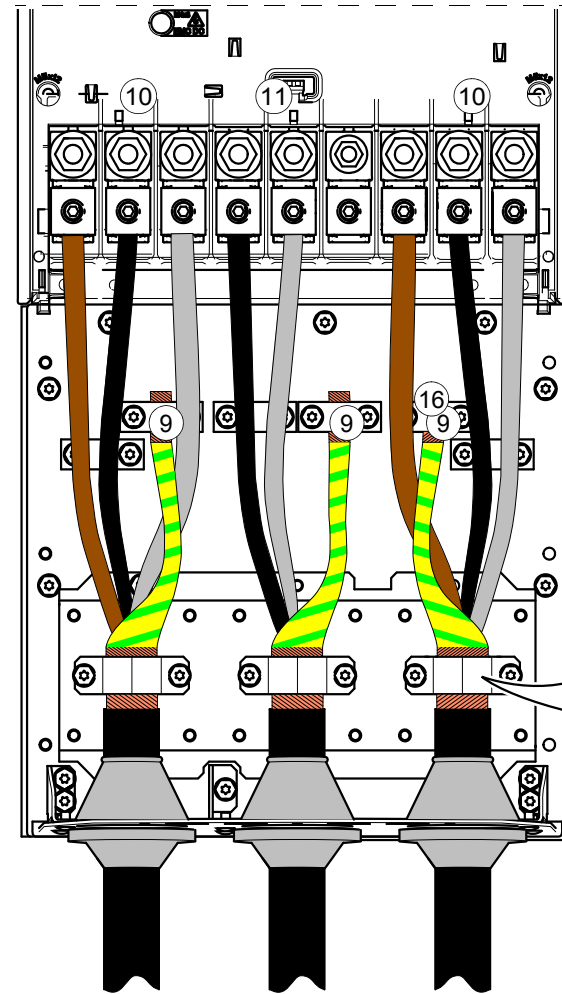
D



E



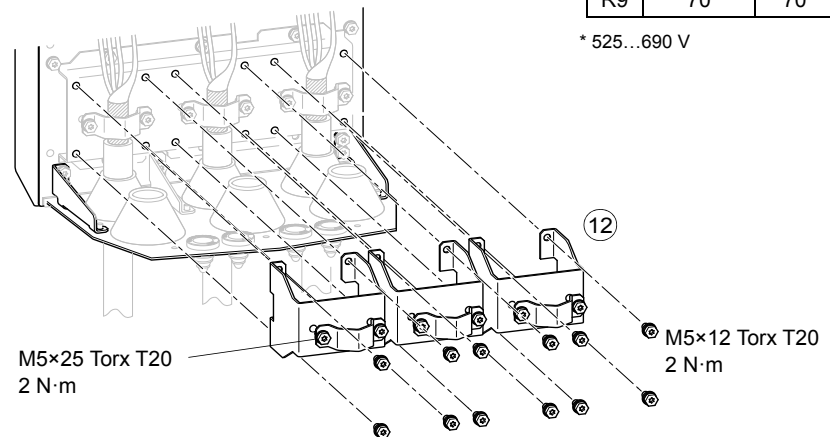
F



R6: M5×25 Torx T20; M4×20 Torx T20
 R7: M5×35 Torx T20
 R8,R9: M5×25 Torx T20
 2 N·m

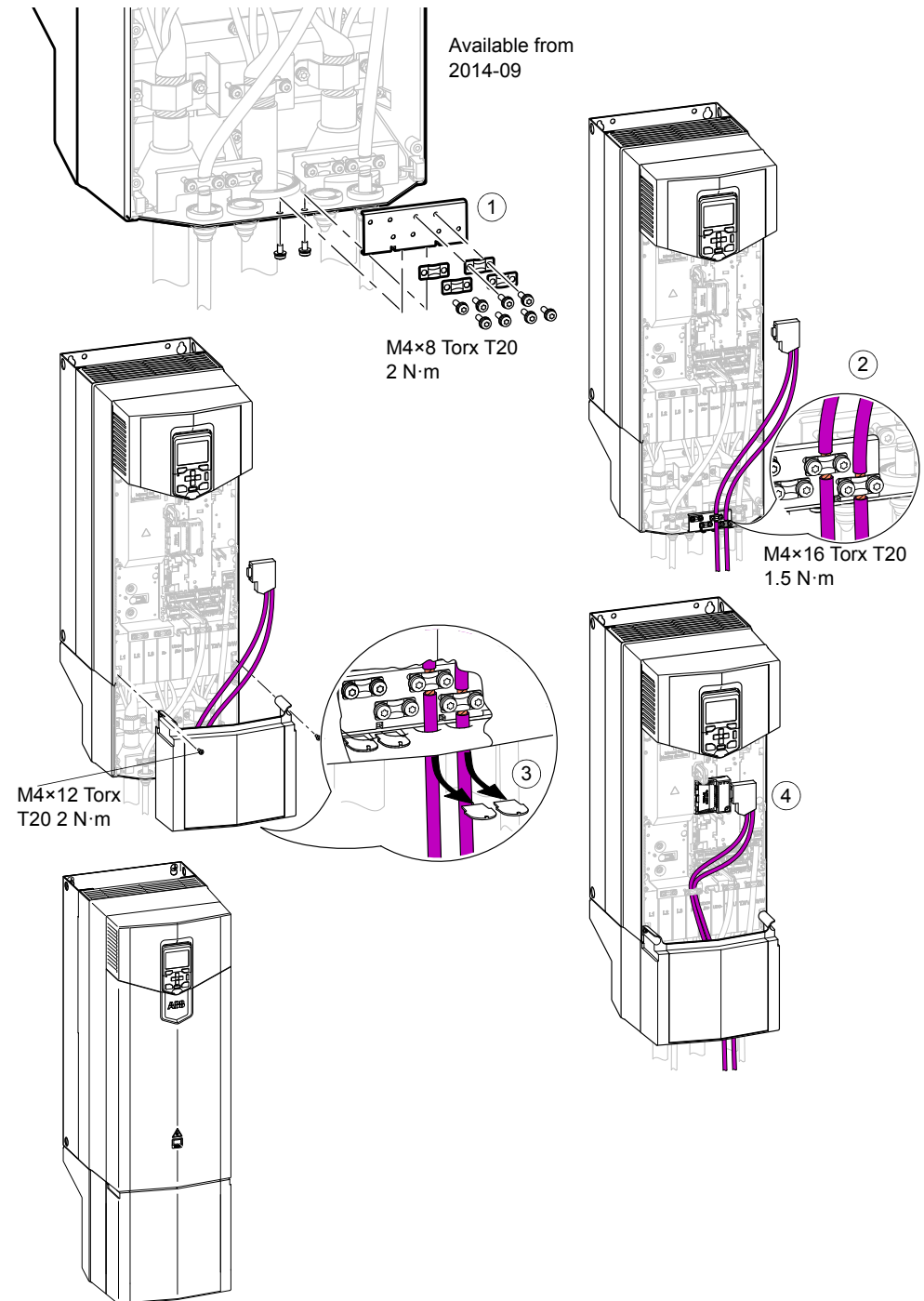
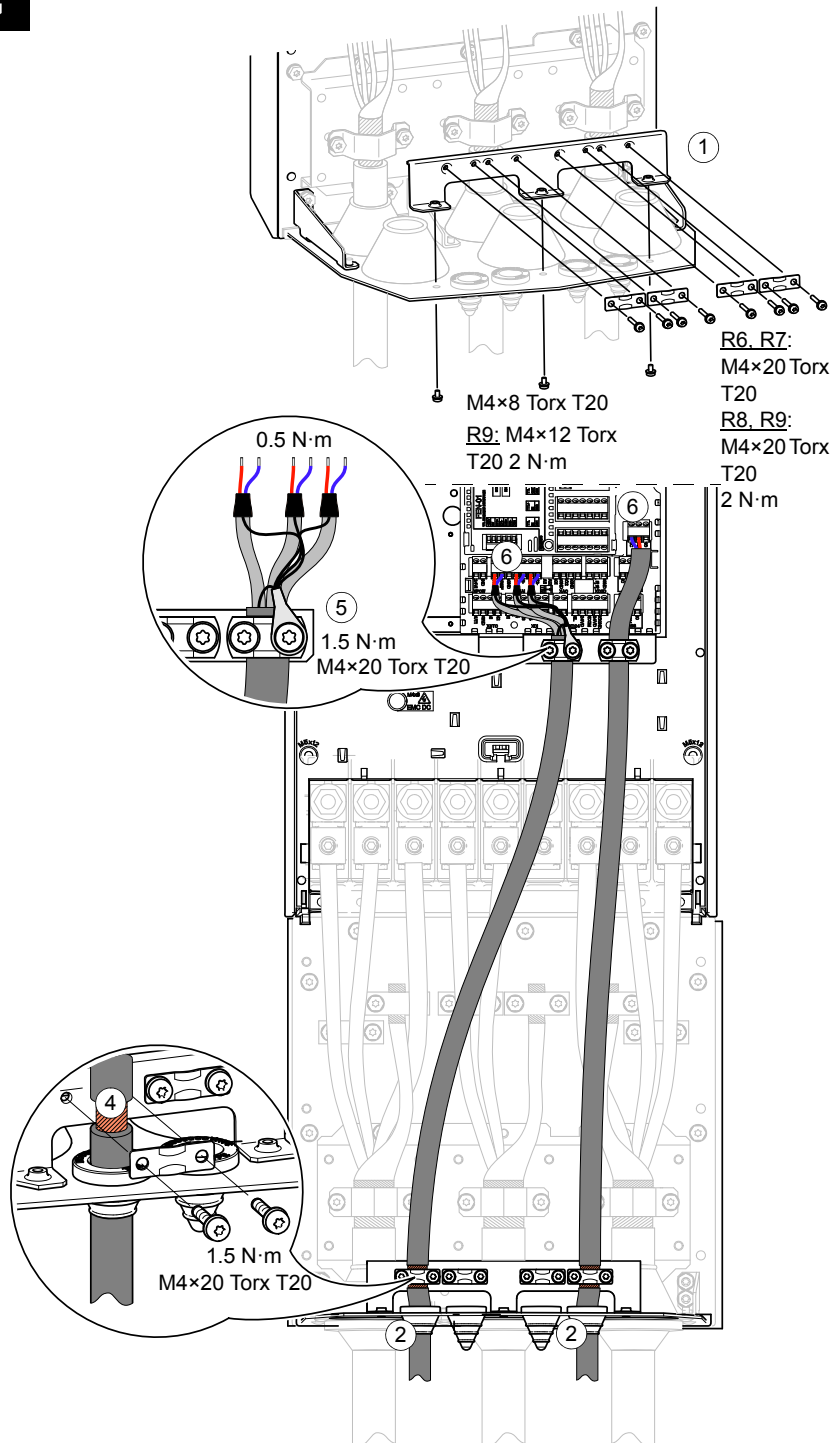
	L1, L2, L3, T1/U, T2/V, T3/W	R-, R+/ UDC+, UDC-	⊕
	(N·m)	(N·m)	(N·m)
R6	30	20	9.8
R7	40 (30*)	30	9.8
R8	40	40	9.8
R9	70	70	9.8

* 525...690 V

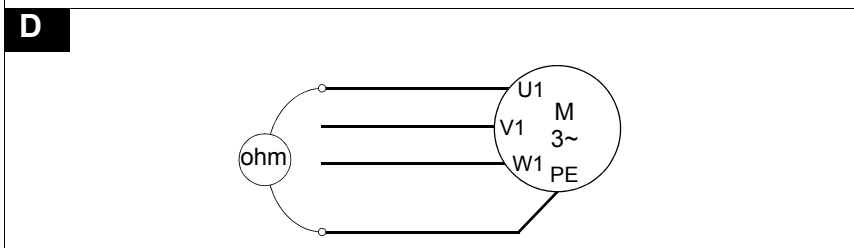
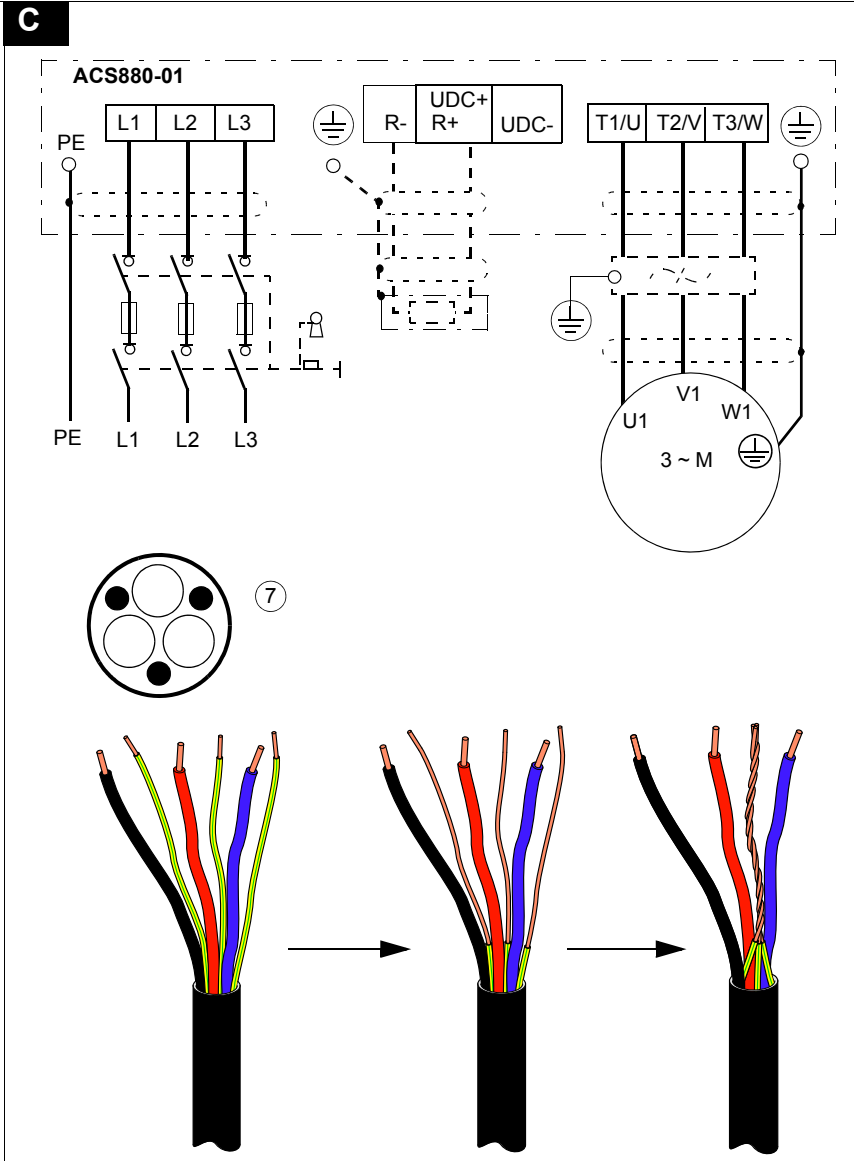
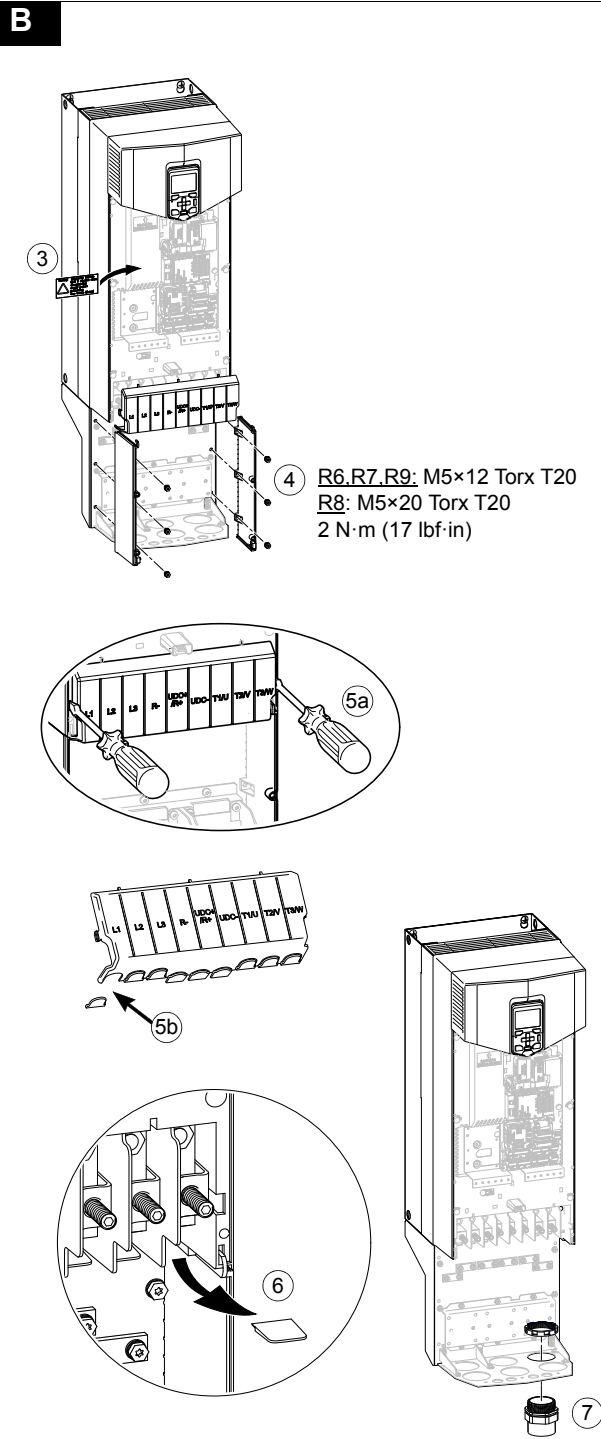


M5×25 Torx T20
 2 N·m

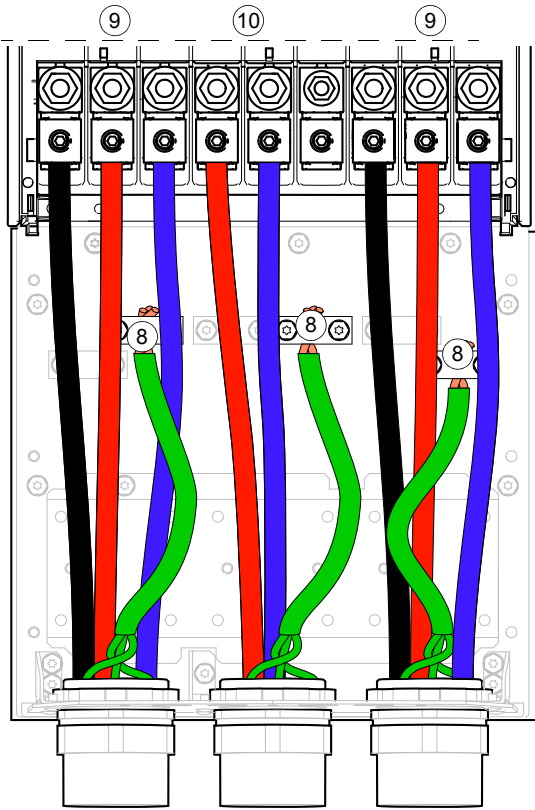
M5×12 Torx T20
 2 N·m



Drive type ACS880-01-	Air flow (ft ³ /min)	Losses (W)	Type
$U_1 = 230\text{ V}$			
115A-2	256	840	JJS-150
145A-2	256	940	JJS-200
170A-2	265	1260	JJS-250
206A-2	265	1500	JJS-300
274A-2	324	2100	JJS-400
$U_N = 480\text{ V}$			
096A-5	256	1295	JJS-150
124A-5	256	1440	JJS-200
156A-5	265	1940	JJS-225
180A-5	265	2310	JJS-300
240A-5	324	3300	JJS-350
260A-5	324	3900	JJS-400
302A-5	677	4200	JJS-400
361A-5	677	4800	JJS-500
414A-5	677	6000	JJS-600
441A-5	677	6000	JJS-600
$U_N = 525\text{ V}$			
061A-7	256	1295	JJS-110
084A-7	256	1440	JJS-150
098A-7	265	1940	JJS-150
119A-7	265	2310	JJS-200
142A-7	324	3300	JJS-250
174A-7	324	3900	JJS-300
210A-7	677	4200	JJS-400
271A-7	677	4800	JJS-400



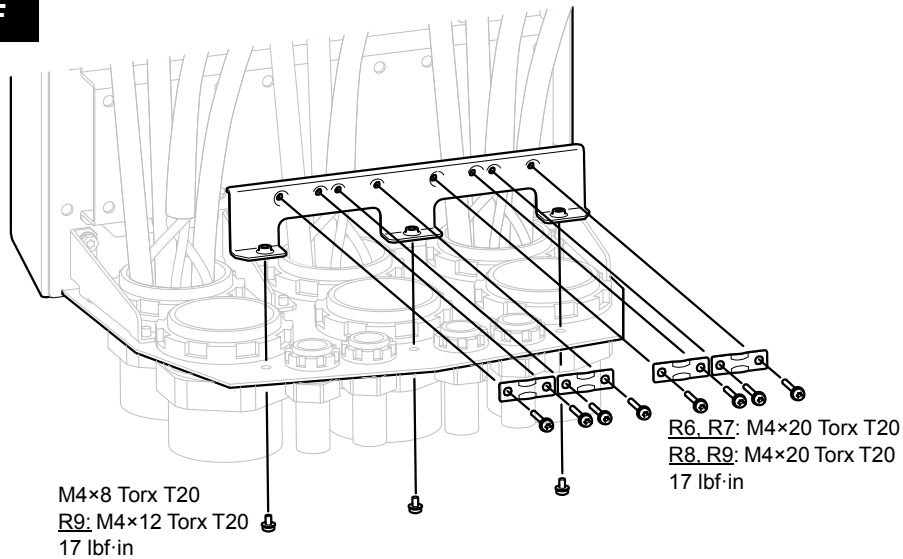
E



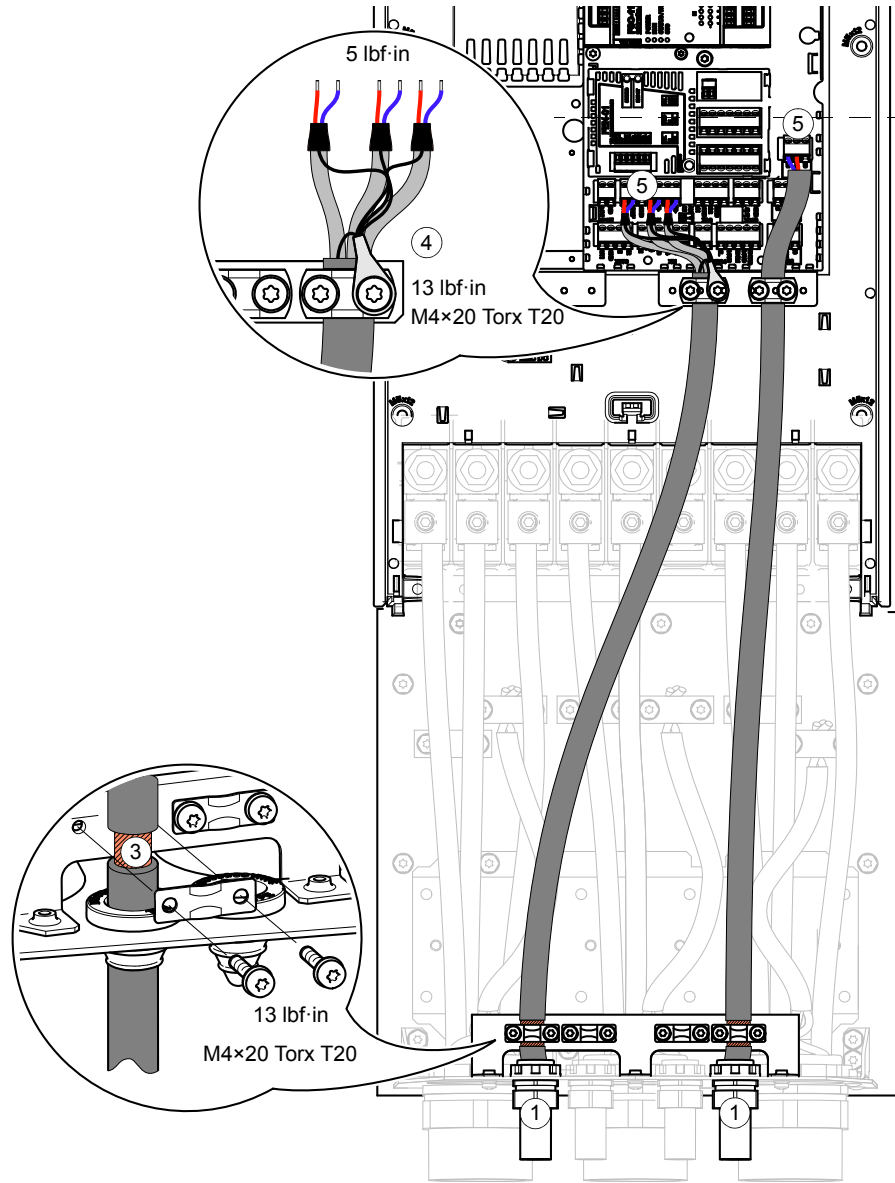
	L1, L2, L3, T1/U, T2/V, T3/W	R-, R+/ UDC+, UDC-	⏏
	lbf-ft	lbf-ft	lbf-ft
R6	22.1	14.8	7.2
R7	29.5 (22.1 *)	14.8	7.2
R8	29.5	29.5	7.2
R9	51.6	51.6	7.2

for 525...690 V

F



G



Further information

Product and service inquiries

Address any inquiries about the product to your local ABB representative, quoting the type designation and serial number of the unit in question. A listing of ABB sales, support and service contacts can be found by navigating to abb.com/searchchannels.

Product training

For information on ABB product training, navigate to new.abb.com/service/training.

Providing feedback on ABB Drives manuals

Your comments on our manuals are welcome. Navigate to new.abb.com/drives/manuals-feedback-form.

Document library on the Internet

You can find manuals and other product documents in PDF format on the Internet at abb.com/drives/documents.



abb.com/drives



[ACS880-01 manuals](#)