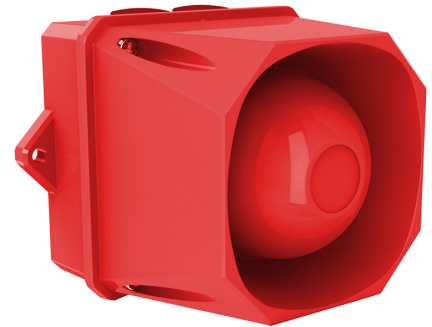


# X10 Mini sounder

## Weatherproof



### Overview

The X10 Mini sounder is an industrial signaling alarm, available in 4 fade resistant body colours, and high and low voltage variants. It is certified to IP66 and IP69K, and verified to operate at extreme temperatures -40°C to 70°C, and is therefore suitable for use in harsh conditions where a robust industrial sounder is required. The X10 Mini sounder comes with an Eaton 10 year Extended Warranty and offers up to 100 dB(A) with 102 tones, and a versatile 4 stage alarm to allow you to retrofit to an existing installation.

### Features

- 100 dB(A) output
- Dual IP rated to IP66 and IP69K and IK08 impact resistant.
- 10 year warranty\*\*
- 102 tones facilitates both new installations and retrofits, accommodating a wide range of Industry requirements
- 4 fade resistant housing colours available
- Up to 4 stage alarm, with multiple alert and control possibilities for both AC and DC variants
- Temperature range -40°C to +70°C
- Captive salt water resistant stainless steel fasteners
- M20 pre drilled threaded cable entries fitted with IP69K blanking plugs as standard
- UV stabilised polycarbonate ASA
- Low inrush current with a range of dB(A) outputs

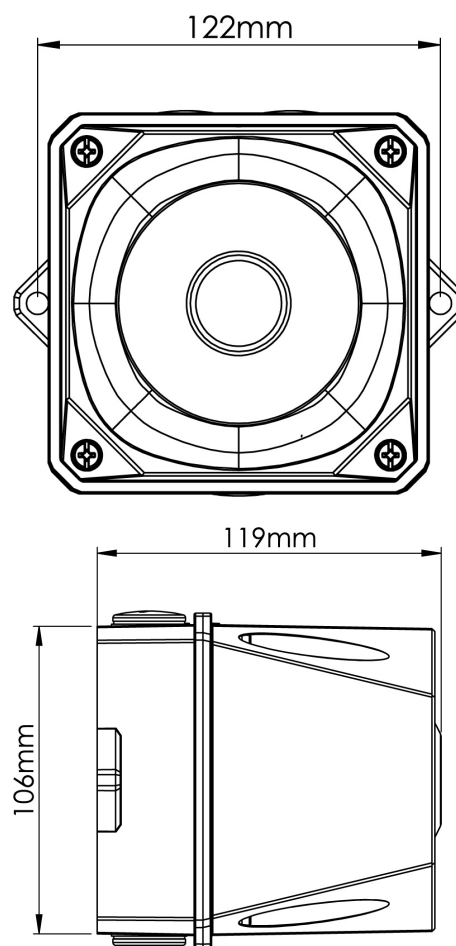
\* Supply current range is based on variation of the supply voltage. A change in tone or volume settings will also impact the supply current.

\*\* Terms and Conditions apply

## Specifications

	Low voltage DC / AC product		AC Mains product	
<b>Rated voltage</b>	10V - 60V DC	10V - 30V AC	115V AC	230V AC
<b>Sounder only* (DIN Tone, High Vol)</b>	20 - 35 mA	50 - 85 mA	72 mA	32 mA
<b>Sound output</b>	100dB			
<b>Alarm tones</b>	102			
<b>Alarm stages</b>	4			
<b>Stage control options</b>	+ve low voltage trigger -ve low voltage trigger +ve supply voltage trigger -ve supply voltage trigger Reverse polarity trigger		Dry /0 volt contact trigger	
<b>Operating temperature</b>	-40°C to +70°C			
<b>Ingress Protection (IP) rating</b>	IP66 and IP69K (dust ingress/high pressure water jets)			
<b>Warranty</b>	10 years**			
<b>Material</b>	UV stabilised polycarbonate ASA			
<b>Colour - housing</b>	Red Dark grey (Light grey and white available on request)			
<b>Cable entry</b>	Top: 2 x M20 threaded cable entries Bottom: 1 x M20 threaded cable entry			
<b>Connecting terminals</b>	Up to 2.5mm <sup>2</sup>			
<b>Weight</b>	0.765kg (AC Mains); 0.480kg (Low voltage DC / AC)			

## General arrangement drawing (all dimensions in mm)



## Ordering requirements

Part number	Size	Body	Voltage	
FHF21531213	Mini	Red body	10-60 VAC-DC	Low Voltage
FHF21531207	Mini	Red body	115/230 VAC	High Voltage
FHF21531813	Mini	Dark Grey body	10-60 VAC-DC	Low Voltage
FHF21531807	Mini	Dark Grey body	115/230 VAC	High Voltage