



Certificate of conformity
No. 19002

Inspecta Oy, as an inspection body,
has issued this certificate as a proof that the procedures for assessing the
conformity of machinery applied by

ABB Oy
Hiomotie 13
FI-00380 HELSINKI
Finland

has been carried out in accordance with the requirements of

the Machinery Directive 2006/42/EC
Annex VIII; Internal checks on the manufacture of machinery

Designation of the machineries examined:

Lifting bar L100x50x8 / (710-4110)
Lifting bar L130x65x10 / (3010-4410)
Lifting lug L75x55x6x64
Lifting lug L65x48x5x230

Manufactured by:
ABB Oy
Hiomotie 13
FI-00380 HELSINKI
Finland

The conclusions of the examination: **approved**

The certification is based on report No. WO-00763383 dated 2019-12-09

Documents annexed to this certificate: Annex 1

Date of issue of this certificate: 2019-12-09

Validity of this certificate: 2024-12-09

Jukka Laaksonen
Lead Engineer

CERTIFICATE

Certificate Annex 1

No. 19002

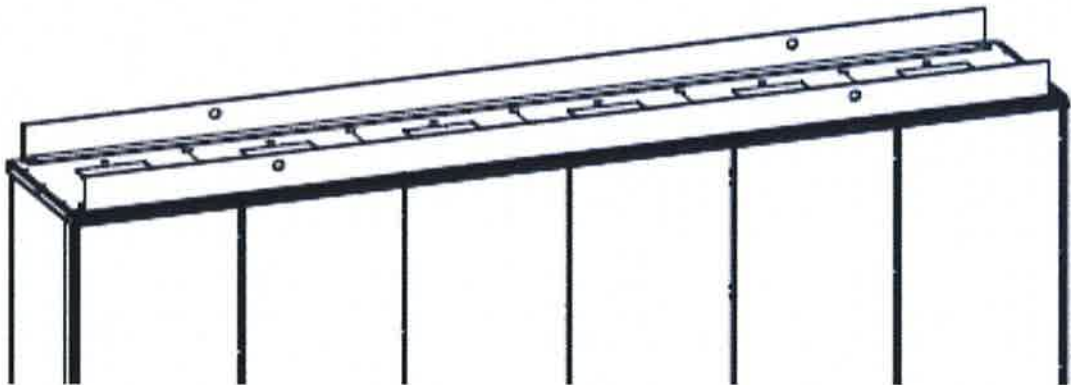
Page 1 (2)

ABB Oy
Hiomotie 13
FI-00380 HELSINKI

Characteristics of ABB load lifting attachments for lifting frequency converter cabins:

Lifting bars L100x50x8 / (710-4110) and L130x65x10 / (3010-4410)

- Working load limit 1500 kg/m
- Dimensions in drawing 3AFE6427873 rev N
- Material no. 64300971, 64301047, 64301063, 64301080, 64301101, 64301136, 64301152, 64301187, 64301209, 64301250, 64301268, 64301276, 64301284, 64301306, 64301314, 64301322, 64301331, 64301349, 64301357, 64301365, 64301373, 64301381, 64301390, 64301403, 64301411, 64456695, 64456725, 64456822, 64456881, 64456890, 64456920, 64485296, 64485300, 64485318, 64485326, 64485334, 64485342, 64485351, 64485369, 64485377, 64485458, 68775558, 68775540, 3AUA5000013498, 3AUA5000013504, 3AUA0000055356, 3AXD50000435524 and 3AXD50000435548



Inspecta Oy
P.O. Box 1000
FI-00581 Helsinki, Finland
Tel. +358 10 521 600
asiakaspalvelu@inspecta.com

Visiting address
Sörnäistenkatu 2
00580 Helsinki, Finland
www.inspecta.com

Business ID
1787853-0



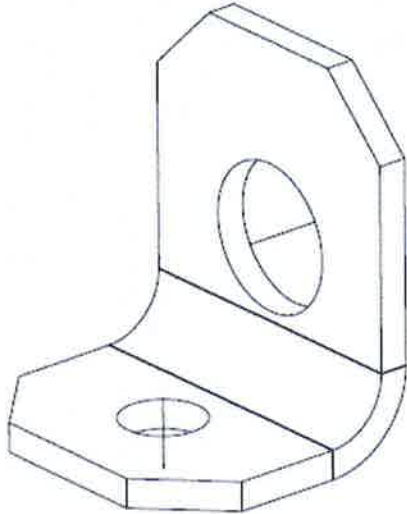
Certificate Annex 1

No. 19002

Page 2 (2)

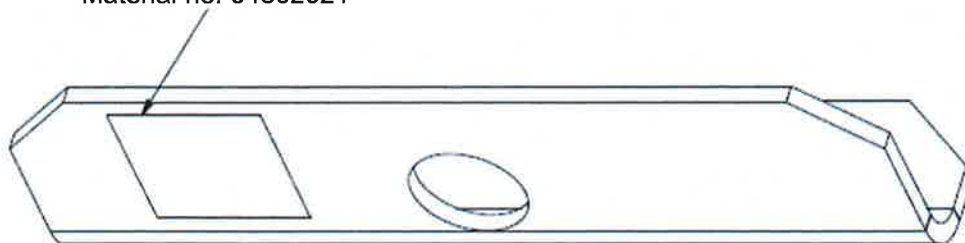
Lifting lug L75x55x6x64

- Working load limit 400 kg
- Dimensions in drawing 3AFE64327151 rev D
- Material no. 64327151



Lifting lug L65x48x5x230

- Working load limit 400 kg
- Dimensions in drawing 3AFE64302621 rev B
- Material no. 64302621



Inspecta Oy
P.O. Box 1000
FI-00581 Helsinki, Finland
Tel. +358 10 521 600
asiakaspalvelu@inspecta.com

Visiting address
Sörnäistenkatu 2
00580 Helsinki, Finland
www.inspecta.com

Business ID
1787853-0

